



# Chapter Contents

**Screw-Cover Type 1 Pull Boxes and Accessories**  
 Screw-Cover, Type 1 ..... 3  
 Type 1 Pull Box Perforated Panel ..... 10

**Hinged-Cover Type 1 Boxes, Enclosures and Accessories**  
 Hinged-Cover with Recessed Handle, Type 1 ..... 11  
 T1FLO Vented Enclosure with Fan, Type 1 ..... 13  
 Hinged-Cover, Type 1 ..... 15  
 Small, Type 1 ..... 17  
 Medium, Type 1 ..... 19  
 Large, Type 1 ..... 21  
 Locking Integrated Perforated Panel Enclosure, Type 1 ..... 23  
 Locking Utility Cabinets, Type 1 ..... 25

## Type 3R

**Screw-Cover Type 3R Boxes and Enclosures**  
 Horizontal-Mount, Type 3R ..... 28  
 Screw-Cover, Type 3R ..... 30  
 Screw-Cover Gasketed, Type 3 ..... 34  
 Screw-Cover Galvanized, Type 3R ..... 36

**Hinge-Cover Type 3R Enclosures**  
 Hinge-Cover, Small, Type 3R ..... 38  
 Hinge-Cover, Medium, Type 3R ..... 40

**Hinge-Cover Lift-Off Type 3R Enclosures and Accessories**  
 Hinge-Cover Lift-Off, Type 3R ..... 42

**Pad-Mount Type 3R Enclosures and Accessories**  
 WEATHERPRO Outdoor Pad Mount, Type 3R ..... 44  
 19-in. Hinged Wall-Mount Panel ..... 47

**WEATHERFLO® Type 3R Vented Enclosures**  
 WEATHERFLO with Fan, Type 3R ..... 50  
 Technical Information ..... 52  
 Solar Consideration ..... 52  
 Critical Parameters (upper temperature limits) ..... 53

**WEATHERFLO® HD**  
 WEATHERFLO HD Enclosures ..... 54  
 Tops ..... 55  
 Bases ..... 56  
 Joining Kit ..... 57  
 CFM Performance Chart ..... 57  
 Product Selection Matrix ..... 57

## Telephone Cabinets

**Telephone Cabinets and Accessories**  
 Telephone Cabinet, Type 1 ..... 58  
 T3-Box Telephone Cabinet, Type 3R ..... 60

## Current Transformer Cabinets and Terminal Boxes

**Current Transformer Cabinets**  
 Current Transformer, Screw Cover, Type 3R ..... 62  
 Current Transformer, Hinged Cover, Type 3R ..... 64  
 CT Mounting Base ..... 66  
 Current Transformer Cabinets, 400-800 Amp, Type 3R ..... 68  
 3-Phase 400-1200 Amp with Mechanical Lugs, Type 3R ..... 70

**Type 3R Terminal Box and Accessories**  
 Terminal Box, Type 3R ..... 74

## Electrical Utility

**Sectionalizing**  
 Utility Junction (UJ) Cabinets ..... 76

## Canadian Cabinets and Splitters

**Canadian Cabinets**  
 Metering, Type 1 ..... 80

**Canadian Splitters**  
 Splitter Trough, Type 1 ..... 82  
 Splitter Box, Type 1 ..... 84  
 Flush Covers ..... 7  
 Flush-Mount Door Frames ..... 8  
 Type 1 Locking Window Pull Box Accessory ..... 9  
 Locking T Handle ..... 14  
 Panel Mounting Kit ..... 43  
 Mounting Bracket Kit ..... 43  
 19-in. Fixed Wall-Mount Rack ..... 48  
 Insect Screens ..... 48  
 Fan Shroud Kits ..... 49  
 Critical Parameters (lower temperature limits) ..... 53  
 Panel ..... 56  
 Rear Covers ..... 56  
 Gland Plate ..... 57  
 Impeller ..... 57  
 Replacement Tumbler Lock ..... 59  
 Locking T Handle ..... 61  
 Current Transformer, Type 3R, Overview ..... 72  
 Screw Cover with Steel Foot Mount Panel ..... 72  
 Lift-Off Cover with Wood Panel ..... 72  
 Hinged Screw Cover with Steel Panel ..... 73  
 Hinged Double-Door with Three-Point Latch and Wood Panel ..... 73  
 400- and 800-Amp Bar-Type Mount with Line/Load Lugs ..... 73  
 Vented Double Door ..... 73  
 Interchangeable Bolt-on Hub ..... 75  
 Lug Assembly ..... 75  
 Splitter Block Assemblies Overview ..... 85  
 Splitter Box Block Assemblies ..... 85  
 Splitter Trough Block Assemblies ..... 86  
 Ground Splitter (Ground Bar) ..... 86

## Screw-Cover Type 1 Pull Boxes and Accessories

### Screw-Cover, Type 1



#### Application

Use this enclosure in commercial and general industrial applications that require a junction or pull box. For flush installations, order flush covers and door frames separately.

#### Features

- Unique keyhole screw slots in the cover
- Available with or without knockouts. Various sizes of easy-to-remove concentric knockouts on all four sides of standard boxes with knockouts.
- Optional flush-mounted door frame available
- Optional flush covers
- Flat, removable covers fastened with plated steel screws
- Provision for grounding
- Mounting holes on back of box

#### Specifications

- 16, 14 or 12 gauge steel or plated steel

#### Finish

ANSI 61 gray polyester powder paint finish inside and out. Unless otherwise specified, all custom pull boxes are finished with ANSI 61 gray polyester powder paint.

#### Accessories

- [s-3191]
- [s-3192]
- [s-3458]
- [s-67174]
- [s-3428]

Bulletin: A90P1

#### Industry Standards

UL 50, 50E Listed; Type 1; File No. E27525  
cUL Listed per CSA C22.2 No 40; Type 1; File No. E27525

NEMA/EEMAC Type 1  
IEC 60529, IP30

#### Standard Product Screw-Cover Type 1 Pull Boxes with Knockouts

Catalog Number	AxBxC in.	AxBxC mm	Style	Number of Cover Screws	Knockout Pattern Along "A" Sides	Knockout Pattern Along "B" Sides
ASE4X4X3	4.00 x 4.00 x 3.00	102 x 102 x 76	Painted	2	B-C	B-C
ASG4X4X3	4.00 x 4.00 x 3.00	102 x 102 x 76	Galvanized	2	B-C	B-C
ASE6X6X3	6.00 x 6.00 x 3.00	152 x 152 x 76	Painted	2	B-C-D	B-C-D
ASG6X6X3	6.00 x 6.00 x 3.00	152 x 152 x 76	Galvanized	2	B-C-D	B-C-D
ASE8X6X3	8.00 x 6.00 x 3.00	203 x 152 x 76	Painted	2	F-G-H-I	B-C-D
ASG8X6X3	8.00 x 6.00 x 3.00	203 x 152 x 76	Galvanized	2	F-G-H-I	B-C-D
ASE16X14X3	16.00 x 14.00 x 3.00	406 x 356 x 76	Painted	4	B-C-D-E-F-G-H	B-C-D-E-F-G-H
ASG16X14X3	18.00 x 14.00 x 3.00	457 x 356 x 76	Painted	4	A-B-C-D-E-F-G-H-I	B-C-D-E-F-G-H
ASE4X4X4	4.00 x 4.00 x 4.00	102 x 102 x 102	Painted	2	B-C	B-C
ASG4X4X4	4.00 x 4.00 x 4.00	102 x 102 x 102	Galvanized	2	B-C	B-C
ASE6X4X4	6.00 x 4.00 x 4.00	152 x 102 x 102	Painted	2	B-C-D	B-C
ASG6X4X4	6.00 x 4.00 x 4.00	152 x 102 x 102	Galvanized	2	B-C-D	B-C
ASE6X6X4	6.00 x 6.00 x 4.00	152 x 152 x 102	Painted	2	B-C-D	B-C-D
ASG6X6X4	6.00 x 6.00 x 4.00	152 x 152 x 102	Galvanized	2	B-C-D	B-C-D
ASE8X6X4	8.00 x 6.00 x 4.00	203 x 152 x 102	Painted	2	F-G-H-I	B-C-D
ASG8X6X4	8.00 x 6.00 x 4.00	203 x 152 x 102	Galvanized	2	F-G-H-I	B-C-D
ASE8X8X4	8.00 x 8.00 x 4.00	203 x 203 x 102	Painted	4	F-G-H-I	F-G-H-I
ASG8X8X4	8.00 x 8.00 x 4.00	203 x 203 x 102	Galvanized	4	F-G-H-I	F-G-H-I
ASE10X8X4	10.00 x 8.00 x 4.00	254 x 203 x 102	Painted	4	F-G-H-I	F-G-H-I
ASG10X8X4	10.00 x 8.00 x 4.00	254 x 203 x 102	Galvanized	4	F-G-H-I	F-G-H-I
ASE10X10X4	10.00 x 10.00 x 4.00	254 x 254 x 102	Painted	4	F-G-H-I	C-D-E-F-G
ASG10X10X4	10.00 x 10.00 x 4.00	254 x 254 x 102	Galvanized	4	F-G-H-I	C-D-E-F-G
ASE12X8X4	12.00 x 8.00 x 4.00	305 x 203 x 102	Painted	4	C-D-E-F-G	F-G-H-I
ASG12X8X4	12.00 x 8.00 x 4.00	305 x 203 x 102	Galvanized	4	C-D-E-F-G	F-G-H-I
ASE12X10X4	12.00 x 10.00 x 4.00	305 x 254 x 102	Painted	4	C-D-E-F-G	C-D-E-F-G
ASG12X10X4	12.00 x 10.00 x 4.00	305 x 254 x 102	Galvanized	4	C-D-E-F-G	C-D-E-F-G
ASE12X12X4	12.00 x 12.00 x 4.00	305 x 305 x 102	Painted	4	C-D-E-F-G	C-D-E-F-G
ASG12X12X4	12.00 x 12.00 x 4.00	305 x 305 x 102	Galvanized	4	C-D-E-F-G	C-D-E-F-G
ASE16X12X4	16.00 x 12.00 x 4.00	406 x 305 x 102	Painted	4	B-C-D-E-F-G-H	C-D-E-F-G
ASG16X12X4	16.00 x 12.00 x 4.00	406 x 305 x 102	Galvanized	4	B-C-D-E-F-G-H	C-D-E-F-G
ASE18X12X4	18.00 x 12.00 x 4.00	457 x 305 x 102	Painted	4	A-B-C-D-E-F-G-H-I	C-D-E-F-G
ASG18X12X4	18.00 x 12.00 x 4.00	457 x 305 x 102	Galvanized	4	A-B-C-D-E-F-G-H-I	C-D-E-F-G
ASE18X18X4	18.00 x 18.00 x 4.00	457 x 457 x 102	Painted	4	A-B-C-D-E-F-G-H-I	A-B-C-D-E-F-G-H-I
ASG18X18X4	18.00 x 18.00 x 4.00	457 x 457 x 102	Galvanized	4	A-B-C-D-E-F-G-H-I	A-B-C-D-E-F-G-H-I
ASE24X12X4	24.00 x 12.00 x 4.00	610 x 305 x 102	Painted	4	A-B-C-D-E-F-G-H-I	C-D-E-F-G
ASG24X12X4	24.00 x 12.00 x 4.00	610 x 305 x 102	Galvanized	4	A-B-C-D-E-F-G-H-I	A-B-C-D-E-F-G-H-I
ASE24X24X4	24.00 x 24.00 x 4.00	610 x 610 x 102	Painted	4	A-B-C-D-E-F-G-H-I	A-B-C-D-E-F-G-H-I
ASG24X24X4	24.00 x 24.00 x 4.00	610 x 610 x 102	Galvanized	4	A-B-C-D-E-F-G-H-I	A-B-C-D-E-F-G-H-I
ASE30X24X4	30.00 x 24.00 x 4.00	762 x 610 x 102	Painted	6	A-B-C-D-E-F-G-H-I	A-B-C-D-E-F-G-H-I
ASE6X6X6	6.00 x 6.00 x 6.00	152 x 152 x 152	Painted	2	B-C-D	B-C-D

## Screw-Cover Type 1 Pull Boxes and Accessories

Catalog Number	AxBxCin.	AxBxCmm	Style	Number of Cover Screws	Knockout Pattern Along "A" Sides	Knockout Pattern Along "B" Sides
ASG6X6	6.00 x 6.00 x 6.00	152 x 152 x 152	Galvanized	2	B-C-D	B-C-D
ASE8X6	8.00 x 6.00 x 6.00	203 x 152 x 152	Painted	4	F-G-H-I	B-C-D
ASE8X8	8.00 x 8.00 x 6.00	203 x 203 x 152	Painted	4	F-G-H-I	F-G-H-I
ASG8X8	8.00 x 8.00 x 6.00	203 x 203 x 152	Galvanized	4	F-G-H-I	F-G-H-I
ASE10X8	10.00 x 8.00 x 6.00	254 x 203 x 152	Painted	4	F-G-H-I	F-G-H-I
ASG10X8	10.00 x 8.00 x 6.00	254 x 203 x 152	Galvanized	4	F-G-H-I	F-G-H-I
ASE10X10	10.00 x 10.00 x 6.00	254 x 254 x 152	Painted	4	F-G-H-I	C-D-E-F-G
ASG10X10	10.00 x 10.00 x 6.00	254 x 254 x 152	Galvanized	4	F-G-H-I	C-D-E-F-G
ASE12X10	12.00 x 10.00 x 6.00	305 x 254 x 152	Painted	4	C-D-E-F-G	C-D-E-F-G
ASG12X10	12.00 x 10.00 x 6.00	305 x 254 x 152	Galvanized	4	C-D-E-F-G	C-D-E-F-G
ASE12X12	12.00 x 12.00 x 6.00	305 x 305 x 152	Painted	4	C-D-E-F-G	C-D-E-F-G
ASG12X12	12.00 x 12.00 x 6.00	305 x 305 x 152	Galvanized	4	C-D-E-F-G	C-D-E-F-G
ASE16X12	16.00 x 12.00 x 6.00	406 x 305 x 152	Painted	4	B-C-D-E-F-G-H	C-D-E-F-G
ASG16X12	16.00 x 12.00 x 6.00	406 x 305 x 152	Galvanized	4	B-C-D-E-F-G-H	C-D-E-F-G
ASE16X16	16.00 x 16.00 x 6.00	406 x 406 x 152	Painted	4	B-C-D-E-F-G-H	B-C-D-E-F-G-H
ASG16X16	16.00 x 16.00 x 6.00	406 x 406 x 152	Galvanized	4	B-C-D-E-F-G-H	B-C-D-E-F-G-H
ASE18X12	18.00 x 12.00 x 6.00	457 x 305 x 152	Painted	4	A-B-C-D-E-F-G-H-I	C-D-E-F-G
ASG18X12	18.00 x 12.00 x 6.00	457 x 305 x 152	Galvanized	4	A-B-C-D-E-F-G-H-I	C-D-E-F-G
ASE18X18	18.00 x 18.00 x 6.00	457 x 457 x 152	Painted	4	A-B-C-D-E-F-G-H-I	A-B-C-D-E-F-G-H-I
ASG18X18	18.00 x 18.00 x 6.00	457 x 457 x 152	Galvanized	4	A-B-C-D-E-F-G-H-I	A-B-C-D-E-F-G-H-I
ASE24X18	24.00 x 18.00 x 6.00	610 x 457 x 152	Painted	4	A-B-C-D-E-F-G-H-I	A-B-C-D-E-F-G-H-I
ASG24X18	24.00 x 18.00 x 6.00	610 x 457 x 152	Galvanized	4	A-B-C-D-E-F-G-H-I	A-B-C-D-E-F-G-H-I
ASE24X24	24.00 x 24.00 x 6.00	610 x 610 x 152	Painted	4	A-B-C-D-E-F-G-H-I	A-B-C-D-E-F-G-H-I
ASG24X24	24.00 x 24.00 x 6.00	610 x 610 x 152	Galvanized	4	A-B-C-D-E-F-G-H-I	A-B-C-D-E-F-G-H-I
ASE30X24	30.00 x 24.00 x 6.00	762 x 610 x 152	Painted	6	A-B-C-D-E-F-G-H-I	A-B-C-D-E-F-G-H-I
ASG30X24	30.00 x 24.00 x 6.00	762 x 610 x 152	Galvanized	6	A-B-C-D-E-F-G-H-I	A-B-C-D-E-F-G-H-I
ASE36X24	36.00 x 24.00 x 6.00	914 x 610 x 152	Painted	6	A-B-C-D-E-F-G-H-I	A-B-C-D-E-F-G-H-I
ASE8X8X8	8.00 x 8.00 x 8.00	203 x 203 x 203	Painted	4	F-G-H-I	F-G-H-I
ASE12X12X8	12.00 x 12.00 x 8.00	305 x 305 x 203	Painted	4	C-D-E-F-G	C-D-E-F-G
ASG12X12X8	12.00 x 12.00 x 8.00	305 x 305 x 203	Galvanized	4	C-D-E-F-G	C-D-E-F-G
ASE16X12X8	16.00 x 12.00 x 8.00	406 x 305 x 203	Painted	4	B-C-D-E-F-G-H	C-D-E-F-G
ASG16X12X8	16.00 x 12.00 x 8.00	406 x 305 x 203	Galvanized	4	B-C-D-E-F-G-H	C-D-E-F-G
ASE24X12X8	24.00 x 12.00 x 8.00	610 x 305 x 203	Painted	4	A-B-C-D-E-F-G-H-I	C-D-E-F-G
ASG24X12X8	24.00 x 12.00 x 8.00	610 x 305 x 203	Galvanized	4	A-B-C-D-E-F-G-H-I	A-B-C-D-E-F-G-H-I
ASE24X18X8	24.00 x 18.00 x 8.00	610 x 457 x 203	Painted	4	A-B-C-D-E-F-G-H-I	A-B-C-D-E-F-G-H-I
ASG24X18X8	24.00 x 18.00 x 8.00	610 x 457 x 203	Galvanized	4	A-B-C-D-E-F-G-H-I	A-B-C-D-E-F-G-H-I
ASE24X24X8	24.00 x 24.00 x 8.00	610 x 610 x 203	Painted	6	A-B-C-D-E-F-G-H-I	A-B-C-D-E-F-G-H-I
ASG24X24X8	24.00 x 24.00 x 8.00	610 x 610 x 203	Galvanized	6	A-B-C-D-E-F-G-H-I	A-B-C-D-E-F-G-H-I
ASE18X12X10	18.00 x 12.00 x 10.00	457 x 305 x 254	Painted	4	A-B-C-D-E-F-G-H-I	C-D-E-F-G
ASG18X12X10	18.00 x 12.00 x 10.00	457 x 305 x 254	Galvanized	4	A-B-C-D-E-F-G-H-I	A-B-C-D-E-F-G-H-I
ASE24X18X10	24.00 x 18.00 x 10.00	610 x 457 x 254	Painted	4	A-B-C-D-E-F-G-H-I	A-B-C-D-E-F-G-H-I
ASG24X18X10	24.00 x 18.00 x 10.00	610 x 457 x 254	Galvanized	4	A-B-C-D-E-F-G-H-I	A-B-C-D-E-F-G-H-I
ASE24X24X10	24.00 x 24.00 x 10.00	610 x 610 x 254	Painted	4	A-B-C-D-E-F-G-H-I	A-B-C-D-E-F-G-H-I
ASG24X24X10	24.00 x 24.00 x 10.00	610 x 610 x 254	Galvanized	4	A-B-C-D-E-F-G-H-I	A-B-C-D-E-F-G-H-I
ASE36X24X10	36.00 x 24.00 x 10.00	914 x 610 x 254	Painted	6	A-B-C-D-E-F-G-H-I	A-B-C-D-E-F-G-H-I
ASE24X12X12	24.00 x 12.00 x 12.00	610 x 305 x 305	Painted	4	A-B-C-D-E-F-G-H-I	C-D-E-F-G
ASG24X12X12	24.00 x 12.00 x 12.00	610 x 305 x 305	Galvanized	4	A-B-C-D-E-F-G-H-I	C-D-E-F-G
ASE18X18X12	18.00 x 18.00 x 12.00	457 x 457 x 305	Painted	4	A-B-C-D-E-F-G-H-I	A-B-C-D-E-F-G-H-I
ASG18X18X12	18.00 x 18.00 x 12.00	457 x 457 x 305	Galvanized	4	A-B-C-D-E-F-G-H-I	A-B-C-D-E-F-G-H-I
ASE24X18X12	24.00 x 18.00 x 12.00	610 x 457 x 305	Painted	4	A-B-C-D-E-F-G-H-I	A-B-C-D-E-F-G-H-I
ASG24X18X12	24.00 x 18.00 x 12.00	610 x 457 x 305	Galvanized	4	A-B-C-D-E-F-G-H-I	A-B-C-D-E-F-G-H-I
ASE30X24X12	30.00 x 24.00 x 12.00	762 x 610 x 305	Painted	6	A-B-C-D-E-F-G-H-I	A-B-C-D-E-F-G-H-I
ASG30X24X12	30.00 x 24.00 x 12.00	762 x 610 x 305	Galvanized	6	A-B-C-D-E-F-G-H-I	A-B-C-D-E-F-G-H-I

### Standard Product **Screw-Cover Type 1 Pull Boxes without Knockouts**

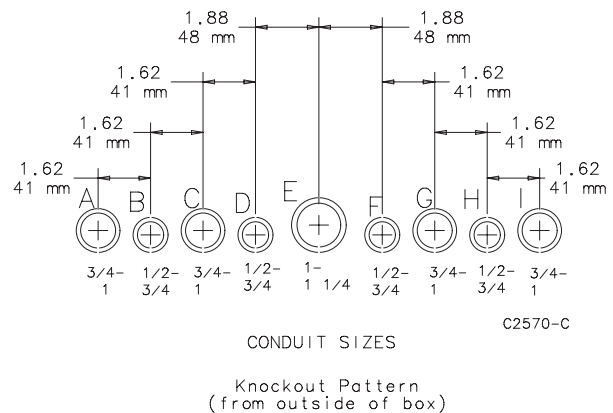
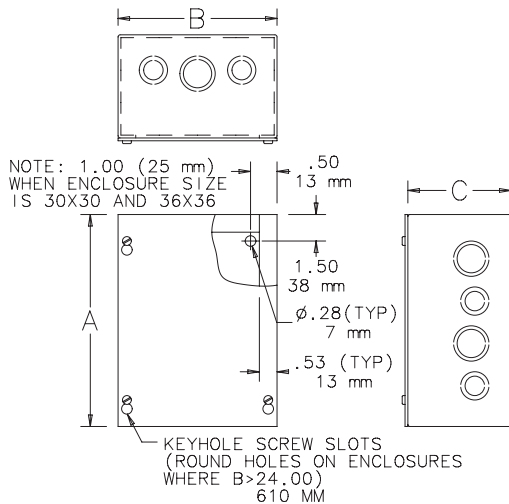
Catalog Number	AxBxCin.	AxBxCmm	Style	Number of Cover Screws
ASE4X4X3NK	4.00 x 4.00 x 3.00	102 x 102 x 76	Painted	2
ASG4X4X3NK	4.00 x 4.00 x 3.00	102 x 102 x 76	Galvanized	2
ASE6X6X3NK	6.00 x 6.00 x 3.00	152 x 152 x 76	Painted	2
ASG6X6X3NK	6.00 x 6.00 x 3.00	152 x 152 x 76	Galvanized	2
ASE8X6X3NK	8.00 x 6.00 x 3.00	203 x 152 x 76	Painted	2
ASG8X6X3NK	8.00 x 6.00 x 3.00	203 x 152 x 76	Galvanized	2
ASE16X14X3NK	16.00 x 14.00 x 3.00	406 x 356 x 76	Painted	4
ASG16X14X3NK	16.00 x 14.00 x 3.00	406 x 356 x 76	Galvanized	4
ASE20X14X3NK	20.00 x 14.00 x 3.00	508 x 356 x 76	Painted	4
ASE4X4X4NK	4.00 x 4.00 x 4.00	102 x 102 x 102	Painted	2
ASG4X4X4NK	4.00 x 4.00 x 4.00	102 x 102 x 102	Galvanized	2
ASE6X4X4NK	6.00 x 4.00 x 4.00	152 x 102 x 102	Painted	2
ASG6X4X4NK	6.00 x 4.00 x 4.00	152 x 102 x 102	Galvanized	2
ASE6X6X4NK	6.00 x 6.00 x 4.00	152 x 152 x 102	Painted	2
ASG6X6X4NK	6.00 x 6.00 x 4.00	152 x 152 x 102	Galvanized	2
ASE8X6X4NK	8.00 x 6.00 x 4.00	203 x 152 x 102	Painted	2
ASG8X6X4NK	8.00 x 6.00 x 4.00	203 x 152 x 102	Galvanized	2
ASE8X8X4NK	8.00 x 8.00 x 4.00	203 x 203 x 102	Painted	4
ASG8X8X4NK	8.00 x 8.00 x 4.00	203 x 203 x 102	Galvanized	4
ASE10X6X4NK	10.00 x 6.00 x 4.00	254 x 152 x 102	Painted	4
ASG10X6X4NK	10.00 x 6.00 x 4.00	254 x 152 x 102	Galvanized	4
ASE10X8X4NK	10.00 x 8.00 x 4.00	254 x 203 x 102	Painted	4
ASG10X8X4NK	10.00 x 8.00 x 4.00	254 x 203 x 102	Galvanized	4
ASE10X10X4NK	10.00 x 10.00 x 4.00	254 x 254 x 102	Painted	4
ASG10X10X4NK	10.00 x 10.00 x 4.00	254 x 254 x 102	Galvanized	4
ASE12X6X4NK	12.00 x 6.00 x 4.00	305 x 152 x 102	Painted	4
ASG12X6X4NK	12.00 x 6.00 x 4.00	305 x 152 x 102	Galvanized	4
ASE12X8X4NK	12.00 x 8.00 x 4.00	305 x 203 x 102	Painted	4

## Screw-Cover Type 1 Pull Boxes and Accessories

Catalog Number	AxBxCin.	AxBxCmm	Style	Number of Cover Screws
ASG12X8X4NK	12.00 x 8.00 x 4.00	305 x 203 x 102	Galvanized	4
ASE12X10X4NK	12.00 x 10.00 x 4.00	305 x 254 x 102	Painted	4
ASG12X10X4NK	12.00 x 10.00 x 4.00	305 x 254 x 102	Galvanized	4
ASE12X12X4NK	12.00 x 12.00 x 4.00	305 x 305 x 102	Painted	4
ASG12X12X4NK	12.00 x 12.00 x 4.00	305 x 305 x 102	Galvanized	4
ASE15X15X4NK	15.00 x 15.00 x 4.00	381 x 381 x 102	Painted	4
ASG15X15X4NK	15.00 x 15.00 x 4.00	381 x 381 x 102	Galvanized	4
ASE16X12X4NK	16.00 x 12.00 x 4.00	406 x 305 x 102	Painted	4
ASG16X12X4NK	16.00 x 12.00 x 4.00	406 x 305 x 102	Galvanized	4
ASE18X12X4NK	18.00 x 12.00 x 4.00	457 x 305 x 102	Painted	4
ASG18X12X4NK	18.00 x 12.00 x 4.00	457 x 305 x 102	Galvanized	4
ASE18X15X4NK	18.00 x 15.00 x 4.00	457 x 381 x 102	Painted	4
ASG18X15X4NK	18.00 x 15.00 x 4.00	457 x 381 x 102	Galvanized	4
ASE18X18X4NK	18.00 x 18.00 x 4.00	457 x 457 x 102	Painted	4
ASG18X18X4NK	18.00 x 18.00 x 4.00	457 x 457 x 102	Galvanized	4
ASE24X12X4NK	24.00 x 12.00 x 4.00	610 x 305 x 102	Painted	4
ASG24X12X4NK	24.00 x 12.00 x 4.00	610 x 305 x 102	Galvanized	4
ASE24X18X4NK	24.00 x 18.00 x 4.00	610 x 457 x 102	Painted	4
ASG24X18X4NK	24.00 x 18.00 x 4.00	610 x 457 x 102	Galvanized	4
ASE24X24X4NK	24.00 x 24.00 x 4.00	610 x 610 x 102	Painted	4
ASG24X24X4NK	24.00 x 24.00 x 4.00	610 x 610 x 102	Galvanized	4
ASE30X24X4NK	30.00 x 24.00 x 4.00	762 x 610 x 102	Painted	6
ASG30X24X4NK	30.00 x 24.00 x 4.00	762 x 610 x 102	Galvanized	6
ASE30X30X4NK	30.00 x 30.00 x 4.00	762 x 762 x 102	Painted	8
ASG30X30X4NK	30.00 x 30.00 x 4.00	762 x 762 x 102	Galvanized	8
ASE6X6X6NK	6.00 x 6.00 x 6.00	152 x 152 x 152	Painted	2
ASG6X6X6NK	6.00 x 6.00 x 6.00	152 x 152 x 152	Galvanized	2
ASE8X6X6NK	8.00 x 6.00 x 6.00	203 x 152 x 152	Painted	2
ASG8X6X6NK	8.00 x 6.00 x 6.00	203 x 152 x 152	Galvanized	2
ASE8X8X6NK	8.00 x 8.00 x 6.00	203 x 203 x 152	Painted	4
ASG8X8X6NK	8.00 x 8.00 x 6.00	203 x 203 x 152	Galvanized	4
ASE10X8X6NK	10.00 x 8.00 x 6.00	254 x 203 x 152	Painted	4
ASG10X8X6NK	10.00 x 8.00 x 6.00	254 x 203 x 152	Galvanized	4
ASE10X10X6NK	10.00 x 10.00 x 6.00	254 x 254 x 152	Painted	4
ASG10X10X6NK	10.00 x 10.00 x 6.00	254 x 254 x 152	Galvanized	4
ASE12X6X6NK	12.00 x 6.00 x 6.00	305 x 152 x 152	Painted	4
ASG12X6X6NK	12.00 x 6.00 x 6.00	305 x 152 x 152	Galvanized	4
ASE12X8X6NK	12.00 x 8.00 x 6.00	305 x 203 x 152	Painted	4
ASG12X8X6NK	12.00 x 8.00 x 6.00	305 x 203 x 152	Galvanized	4
ASE12X10X6NK	12.00 x 10.00 x 6.00	305 x 254 x 152	Painted	4
ASG12X10X6NK	12.00 x 10.00 x 6.00	305 x 254 x 152	Galvanized	4
ASE12X12X6NK	12.00 x 12.00 x 6.00	305 x 305 x 152	Painted	4
ASG12X12X6NK	12.00 x 12.00 x 6.00	305 x 305 x 152	Galvanized	4
ASE16X12X6NK	16.00 x 12.00 x 6.00	406 x 305 x 152	Painted	4
ASG16X12X6NK	16.00 x 12.00 x 6.00	406 x 305 x 152	Galvanized	4
ASE16X16X6NK	16.00 x 16.00 x 6.00	406 x 406 x 152	Painted	4
ASG16X16X6NK	16.00 x 16.00 x 6.00	406 x 406 x 152	Galvanized	4
ASE18X12X6NK	18.00 x 12.00 x 6.00	457 x 305 x 152	Painted	4
ASG18X12X6NK	18.00 x 12.00 x 6.00	457 x 305 x 152	Galvanized	4
ASE18X18X6NK	18.00 x 18.00 x 6.00	457 x 457 x 152	Painted	4
ASG18X18X6NK	18.00 x 18.00 x 6.00	457 x 457 x 152	Galvanized	4
ASE24X12X6NK	24.00 x 12.00 x 6.00	610 x 305 x 152	Painted	4
ASG24X12X6NK	24.00 x 12.00 x 6.00	610 x 305 x 152	Galvanized	4
ASE24X18X6NK	24.00 x 18.00 x 6.00	610 x 457 x 152	Painted	4
ASG24X18X6NK	24.00 x 18.00 x 6.00	610 x 457 x 152	Galvanized	4
ASE24X20X6NK	24.00 x 20.00 x 6.00	610 x 508 x 152	Painted	4
ASG24X20X6NK	24.00 x 20.00 x 6.00	610 x 508 x 152	Galvanized	4
ASE24X24X6NK	24.00 x 24.00 x 6.00	610 x 610 x 152	Painted	4
ASG24X24X6NK	24.00 x 24.00 x 6.00	610 x 610 x 152	Galvanized	4
ASE30X24X6NK	30.00 x 24.00 x 6.00	762 x 610 x 152	Painted	6
ASG30X24X6NK	30.00 x 24.00 x 6.00	762 x 610 x 152	Galvanized	6
ASE30X30X6NK	30.00 x 30.00 x 6.00	762 x 762 x 152	Painted	8
ASG30X30X6NK	30.00 x 30.00 x 6.00	762 x 762 x 152	Galvanized	8
ASE36X24X6NK	36.00 x 24.00 x 6.00	914 x 610 x 152	Painted	6
ASG36X24X6NK	36.00 x 24.00 x 6.00	914 x 610 x 152	Galvanized	6
ASE36X30X6NK	36.00 x 30.00 x 6.00	914 x 762 x 152	Painted	8
ASG36X30X6NK	36.00 x 30.00 x 6.00	914 x 762 x 152	Galvanized	8
ASE36X36X6NK	36.00 x 36.00 x 6.00	914 x 914 x 152	Painted	8
ASG36X36X6NK	36.00 x 36.00 x 6.00	914 x 914 x 152	Galvanized	8
ASE8X8X8NK	8.00 x 8.00 x 8.00	203 x 203 x 203	Painted	4
ASG8X8X8NK	8.00 x 8.00 x 8.00	203 x 203 x 203	Galvanized	4
ASE10X10X8NK	10.00 x 10.00 x 8.00	254 x 254 x 203	Painted	4
ASG10X10X8NK	10.00 x 10.00 x 8.00	254 x 254 x 203	Galvanized	4
ASE12X10X8NK	12.00 x 10.00 x 8.00	305 x 254 x 203	Painted	4
ASG12X10X8NK	12.00 x 10.00 x 8.00	305 x 254 x 203	Galvanized	4
ASE12X12X8NK	12.00 x 12.00 x 8.00	305 x 305 x 203	Painted	4
ASG12X12X8NK	12.00 x 12.00 x 8.00	305 x 305 x 203	Galvanized	4
ASE16X12X8NK	16.00 x 12.00 x 8.00	406 x 305 x 203	Painted	4
ASG16X12X8NK	16.00 x 12.00 x 8.00	406 x 305 x 203	Galvanized	4
ASE18X12X8NK	18.00 x 12.00 x 8.00	457 x 305 x 203	Painted	4
ASG18X12X8NK	18.00 x 12.00 x 8.00	457 x 305 x 203	Galvanized	4
ASE18X18X8NK	18.00 x 18.00 x 8.00	457 x 457 x 203	Painted	4
ASG18X18X8NK	18.00 x 18.00 x 8.00	457 x 457 x 203	Galvanized	4
ASE24X12X8NK	24.00 x 12.00 x 8.00	610 x 305 x 203	Painted	4
ASG24X12X8NK	24.00 x 12.00 x 8.00	610 x 305 x 203	Galvanized	4
ASE24X18X8NK	24.00 x 18.00 x 8.00	610 x 457 x 203	Painted	4
ASG24X18X8NK	24.00 x 18.00 x 8.00	610 x 457 x 203	Galvanized	4
ASE24X20X8NK	24.00 x 20.00 x 8.00	610 x 508 x 203	Painted	4
ASG24X20X8NK	24.00 x 20.00 x 8.00	610 x 508 x 203	Galvanized	4

## Screw-Cover Type 1 Pull Boxes and Accessories

Catalog Number	AxBxCin.	AxBxC mm	Style	Number of Cover Screws
ASG24X20X8NK	24.00 x 20.00 x 8.00	610 x 508 x 203	Galvanized	4
ASE24X24X8NK	24.00 x 24.00 x 8.00	610 x 610 x 203	Painted	4
ASG24X24X8NK	24.00 x 24.00 x 8.00	610 x 610 x 203	Galvanized	4
ASE30X24X8NK	30.00 x 24.00 x 8.00	762 x 610 x 203	Painted	6
ASG30X24X8NK	30.00 x 24.00 x 8.00	762 x 610 x 203	Galvanized	6
ASE30X30X8NK	30.00 x 30.00 x 8.00	762 x 762 x 203	Painted	8
ASG30X30X8NK	30.00 x 30.00 x 8.00	762 x 762 x 203	Galvanized	8
ASE36X24X8NK	36.00 x 24.00 x 8.00	914 x 610 x 203	Painted	6
ASG36X24X8NK	36.00 x 24.00 x 8.00	914 x 610 x 203	Galvanized	6
ASE36X36X8NK	36.00 x 36.00 x 8.00	914 x 914 x 203	Painted	8
ASG36X36X8NK	36.00 x 36.00 x 8.00	914 x 914 x 203	Galvanized	8
ASE12X12X10NK	12.00 x 12.00 x 10.00	305 x 305 x 254	Painted	4
ASG12X12X10NK	12.00 x 12.00 x 10.00	305 x 305 x 254	Galvanized	4
ASE18X12X10NK	18.00 x 12.00 x 10.00	457 x 305 x 254	Painted	4
ASG18X12X10NK	18.00 x 12.00 x 10.00	457 x 305 x 254	Galvanized	4
ASE18X18X10NK	18.00 x 18.00 x 10.00	457 x 457 x 254	Painted	4
ASG18X18X10NK	18.00 x 18.00 x 10.00	457 x 457 x 254	Galvanized	4
ASE24X12X10NK	24.00 x 12.00 x 10.00	610 x 305 x 254	Painted	4
ASG24X12X10NK	24.00 x 12.00 x 10.00	610 x 305 x 254	Galvanized	4
ASE24X18X10NK	24.00 x 18.00 x 10.00	610 x 457 x 254	Painted	4
ASG24X18X10NK	24.00 x 18.00 x 10.00	610 x 457 x 254	Galvanized	4
ASE24X24X10NK	24.00 x 24.00 x 10.00	610 x 610 x 254	Painted	4
ASG24X24X10NK	24.00 x 24.00 x 10.00	610 x 610 x 254	Galvanized	4
ASE30X24X10NK	30.00 x 24.00 x 10.00	762 x 610 x 254	Painted	6
ASG30X24X10NK	30.00 x 24.00 x 10.00	762 x 610 x 254	Galvanized	6
ASE30X30X10NK	30.00 x 30.00 x 10.00	762 x 762 x 254	Painted	8
ASG30X30X10NK	30.00 x 30.00 x 10.00	762 x 762 x 254	Galvanized	8
ASE36X24X10NK	36.00 x 24.00 x 10.00	914 x 610 x 254	Painted	6
ASG36X24X10NK	36.00 x 24.00 x 10.00	914 x 610 x 254	Galvanized	6
ASE36X36X10NK	36.00 x 36.00 x 10.00	914 x 914 x 254	Painted	8
ASG36X36X10NK	36.00 x 36.00 x 10.00	914 x 914 x 254	Galvanized	8
ASE12X12X12NK	12.00 x 12.00 x 12.00	305 x 305 x 305	Painted	4
ASG12X12X12NK	12.00 x 12.00 x 12.00	305 x 305 x 305	Galvanized	4
ASE24X12X12NK	24.00 x 12.00 x 12.00	610 x 305 x 305	Painted	4
ASG24X12X12NK	24.00 x 12.00 x 12.00	610 x 305 x 305	Galvanized	4
ASE18X18X12NK	18.00 x 18.00 x 12.00	457 x 457 x 305	Painted	4
ASG18X18X12NK	18.00 x 18.00 x 12.00	457 x 457 x 305	Galvanized	4
ASE24X18X12NK	24.00 x 18.00 x 12.00	610 x 457 x 305	Painted	4
ASG24X18X12NK	24.00 x 18.00 x 12.00	610 x 457 x 305	Galvanized	4
ASE24X24X12NK	24.00 x 24.00 x 12.00	610 x 610 x 305	Painted	4
ASG24X24X12NK	24.00 x 24.00 x 12.00	610 x 610 x 305	Galvanized	4
ASE30X24X12NK	30.00 x 24.00 x 12.00	762 x 610 x 305	Painted	6
ASG30X24X12NK	30.00 x 24.00 x 12.00	762 x 610 x 305	Galvanized	6
ASE30X30X12NK	30.00 x 30.00 x 12.00	762 x 762 x 305	Painted	8
ASG30X30X12NK	30.00 x 30.00 x 12.00	762 x 762 x 305	Galvanized	8
ASE36X24X12NK	36.00 x 24.00 x 12.00	914 x 610 x 305	Painted	6
ASG36X24X12NK	36.00 x 24.00 x 12.00	914 x 610 x 305	Galvanized	6
ASE36X36X12NK	36.00 x 36.00 x 12.00	914 x 914 x 305	Painted	8
ASG36X36X12NK	36.00 x 36.00 x 12.00	914 x 914 x 305	Galvanized	8
ASE48X48X12NK	48.00 x 48.00 x 12.00	1219 x 1219 x 305	Painted	12
ASG48X48X12NK	48.00 x 48.00 x 12.00	1219 x 1219 x 305	Galvanized	12
ASE30X30X16NK	30.00 x 30.00 x 16.00	762 x 762 x 406	Painted	8
ASG30X30X16NK	30.00 x 30.00 x 16.00	762 x 762 x 406	Galvanized	8
ASE36X36X16NK	36.00 x 36.00 x 16.00	914 x 914 x 406	Painted	8
ASG36X36X16NK	36.00 x 36.00 x 16.00	914 x 914 x 406	Galvanized	8
ASE48X48X16NK	48.00 x 48.00 x 16.00	1219 x 1219 x 406	Painted	12
ASG48X48X16NK	48.00 x 48.00 x 16.00	1219 x 1219 x 406	Galvanized	12

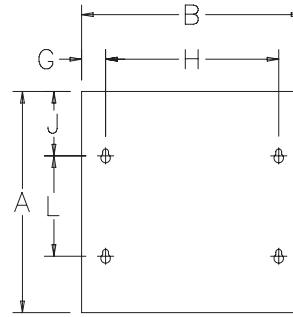


## Screw-Cover Type 1 Pull Boxes and Accessories

### Flush Covers

Designed to mount on enclosure for flush installations. Cover is 16 or 14 gauge steel finished with ANSI 61 gray polyester powder paint.

Bulletin: A90P1



87948556

### Standard Product

Catalog Number	AxB in./mm	Fits Box Size A x B in./mm	G in./mm	H in./mm	J in./mm	L in./mm	Cover Gauge
AFE6X6	7.50 x 7.50	6.00 x 6.00	1.03	5.44	3.75	—	16
	191 x 191	152 x 152	26	138	95	—	
AFE8X6	9.50 x 7.50	8.00 x 6.00	1.03	5.44	4.75	—	16
	241 x 191	203 x 152	26	138	121	—	
AFE8X8	9.50 x 9.50	8.00 x 8.00	1.03	7.44	2.77	4.31	16
	241 x 241	203 x 203	26	189	70	109	
AFE10X8	11.50 x 9.50	10.00 x 8.00	1.03	7.44	2.77	6.31	16
	292 x 241	254 x 203	26	189	70	160	
AFE10X10	11.50 x 11.50	10.00 x 10.00	1.03	9.44	2.77	6.31	16
	292 x 292	254 x 254	26	240	70	160	
AFE12X8	13.50 x 9.50	12.00 x 8.00	1.03	7.44	2.77	8.31	16
	343 x 241	305 x 203	26	189	70	211	
AFE12X12	13.50 x 13.50	12.00 x 12.00	1.03	11.44	2.77	8.31	16
	343 x 343	305 x 305	26	291	70	211	
AFE18X12	19.50 x 13.50	18.00 x 12.00	1.03	11.44	2.77	14.31	16
	495 x 343	457 x 305	26	291	70	363	
AFE18X18	19.50 x 19.50	18.00 x 18.00	1.03	17.44	2.77	14.31	16
	495 x 495	457 x 457	26	443	70	363	
AFE24X18	25.50 x 19.50	24.00 x 18.00	1.05	17.41	2.77	20.31	14
	648 x 495	610 x 457	27	442	70	516	
AFE24X24	25.50 x 25.50	24.00 x 24.00	1.05	23.41	2.77	20.31	14
	648 x 648	610 x 610	27	595	70	516	

## Screw-Cover Type 1 Pull Boxes and Accessories

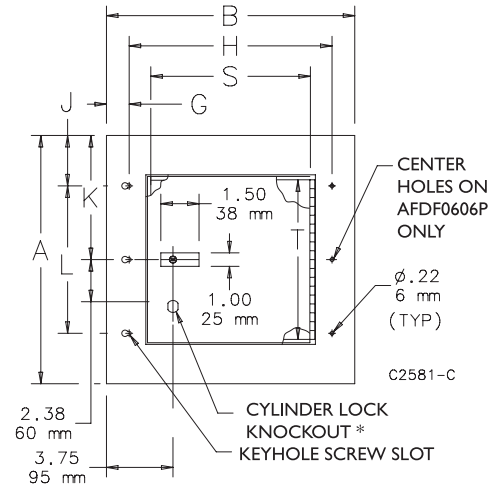
### Flush-Mount Door Frames



Use in Screw-Cover Pull Box telephone cabinet installations or in communication wiring and signal systems. Also as a junction or pull box and switch enclosure.

- Continuous hinge
- Rugged black composite slide latch
- Optional tamper-resistant lock kit includes cylinder lock, tamper-resistant screws and special driver bit.
- Lock Kit: ACLFDF
- 14 gauge steel door frame has ANSI 61 gray polyester powder paint finish

Bulletin: A90P1



\* Not available on AFDF0606P

### Standard Product

Catalog Number	Frame Size A x B in./mm	Door Size T in./mm	Door Size S in./mm	Fits Box Size A x B in./mm	G in./mm	H in./mm	J in./mm	K in./mm	L in./mm
AFDF0606P	8.00 x 8.00	3.00	3.00	6.00 x 6.00	1.28	5.44	N/A	4.00	N/A
	203 x 203	76	76	152 x 152	32	138	N/A	102	N/A
AFDF1212P	14.00 x 14.00	9.00	9.00	12.00 x 12.00	1.28	11.44	2.84	7.00	8.31
	356 x 356	229	229	305 x 305	32	291	72	178	211
AFDF1812P	20.00 x 14.00	15.00	9.00	18.00 x 12.00	1.28	11.44	2.84	10.00	14.31
	508 x 356	381	229	457 x 305	32	291	72	254	364
AFDF1818P	20.00 x 20.00	15.00	15.00	18.00 x 18.00	1.28	17.44	2.84	10.00	14.31
	508 x 508	381	381	457 x 457	32	443	72	254	364
AFDF2418P	26.00 x 20.00	21.00	15.00	24.00 x 18.00	1.28	17.44	2.84	13.00	20.31
	660 x 508	533	381	610 x 457	32	443	72	330	516
AFDF2424P	26.00 x 26.00	21.00	21.00	24.00 x 24.00	1.30	23.41	2.84	13.00	20.31
	660 x 660	533	533	610 x 610	33	595	72	330	516
AFDF3024P	32.00 x 26.00	27.00	21.00	30.00 x 24.00	1.30	23.41	2.84	16.00	26.31
	813 x 660	686	533	762 x 610	33	595	72	406	668



## Screw-Cover Type 1 Pull Boxes and Accessories

### Type 1 Locking Window Pull Box Accessory

Flush- or surface-mount accessory fits Screw Cover, Type 1, boxes to prevent public access to lighting switches and controls. Includes a removable aluminum dead-front mounting surface for component cutouts and four torx-head screws for securing to enclosure.

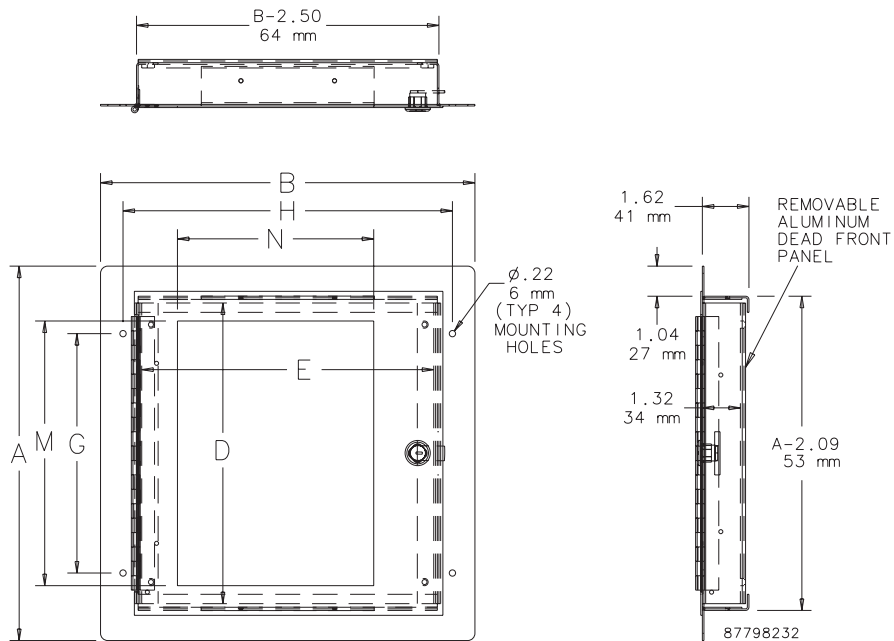
Bulletin: A90P1



#### Standard Product

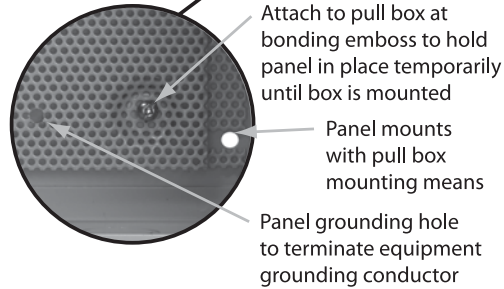
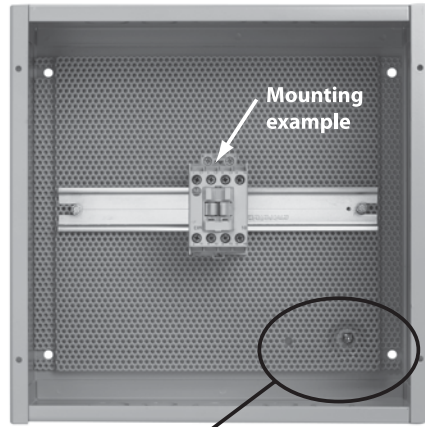
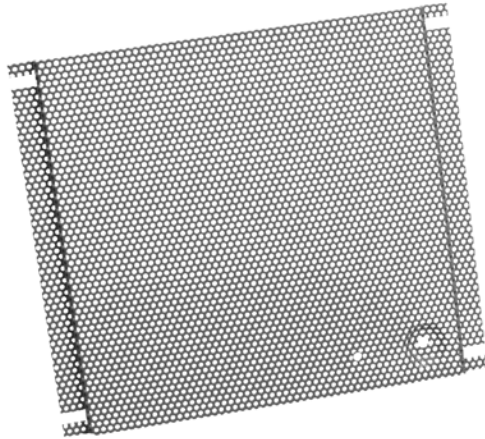
Catalog Number	AxB in./mm	Dead Front Panel Size D x E in./mm	Mounting Holes G x H in./mm	Window Size M x N in./mm	Fits Pull Box
ALDF88W	9.00 x 9.00 229 x 293	6.00 x 6.14 152 x 99	4.31 x 7.44 109 x 189	6.25 x 3.88 164 x 156	ASE8X8X4
ALDF1212W	13.00 x 13.00 330 x 330	10.00 x 10.14 254 x 200	8.31 x 11.44 211 x 291	10.25 x 7.88 265 x 258	ASE12X12X4

A x B = Frame Size



# Screw-Cover Type 1 Pull Boxes and Accessories

## Type 1 Pull Box Perforated Panel



Attach to pull box at bonding emboss to hold panel in place temporarily until box is mounted

Panel mounts with pull box mounting means

Panel grounding hole to terminate equipment grounding conductor

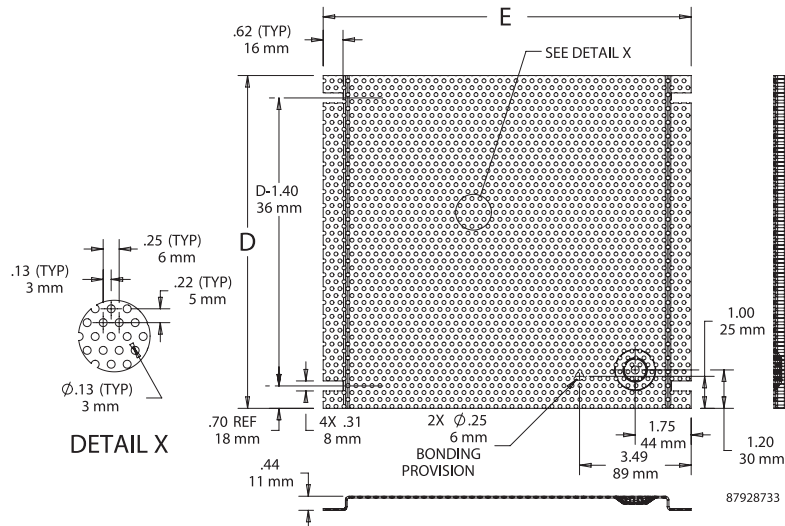
Panel is formed to provide 7/16-in. space off back of pull box for component mounting screw clearance and includes a grounding hole to terminate equipment grounding conductors. Ideal for mounting components that require infrequent access such as control transformers, terminals and contactors.

Bulletin: PNL P

Standard Product

Catalog Number	Panel Gauge	Panel Size D x E (in.)	Panel Size D x E (mm)	Fits Pull Box
PB66PP	16	4.40 x 5.50	112 x 140	ASE6X6X
PB88PP	16	6.40 x 7.50	163 x 191	ASE8X8X
PB1212PP	16	10.40 x 11.50	264 x 292	ASE12X12X
PB1818PP	16	16.40 x 17.50	417 x 445	ASE18X18X
PB2424PP	16	22.40 x 23.50	569 x 597	ASE24X24X

PB1818PP and PB2424PP are flanged on all four sides.



## Hinged-Cover Type 1 Boxes, Enclosures and Accessories

### Hinged-Cover with Recessed Handle, Type 1



#### Industry Standards

UL 50, 50E Listed; Type 1; File No. E27567  
 cUL Listed per CSA C22.2 No. 40; Type 1; File No. E27567

NEMA/EEMAC Type 1  
 CSA, File No. 42184: Type 1  
 IEC 60529, IP30

#### Application

These enclosures have an easy-to-open recessed T-handle and meet basic functionality requirements for housing controls and instrumentation.

#### Features

- Removable doors have butt hinges
- Mounting holes on back of enclosure
- Recessed T-handle latch is flush with door
- Flush cover and offset body

#### Specifications

- 16 or 14 gauge steel

#### Finish

ANSI 61 gray polyester powder paint inside and out

#### Accessories

- [s-3559]
- [s-3458]
- [s-3400]
- [s-2541]
- [s-3385]

#### Modification and Customization

Hoffman excels at modifying and customizing products to your specifications. Contact your local Hoffman sales office or distributor for complete information.

Bulletin: ATM

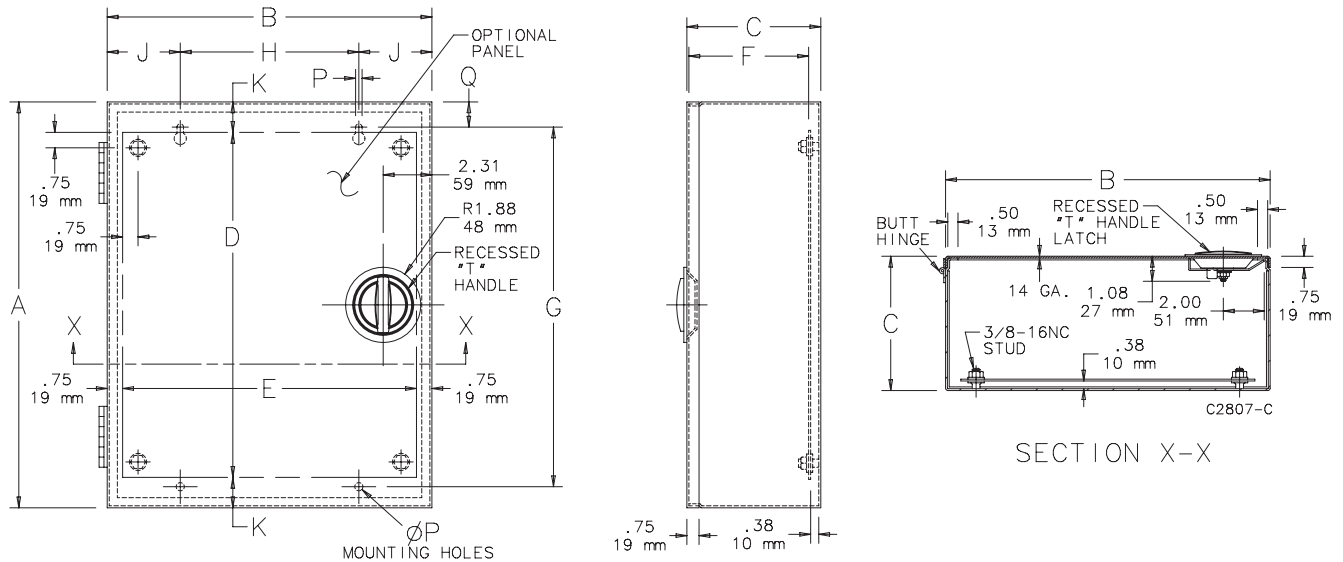
#### Standard Product

Catalog Number	AxBxCin./mm	Gauge	Panel	Panel Size D x E in./mm	Panel Gauge	Number of Studs	Mounting G x H in./mm	J in./mm	Q in./mm	P in./mm	F in./mm	K in./mm
A16N126LP	16.00 x 12.00 x 6.62	16	A16N12MP	13.00 x 10.50	14	4	13.88 x 7.00	2.50	1.06	0.31	6.00	1.50
	406 x 305 x 168			330 x 267			353 x 178	64	27	8	152	38
A20N126LP	20.00 x 12.00 x 6.62	16	A20N12MP	17.00 x 10.50	14	4	17.88 x 7.00	2.50	1.06	0.31	6.00	1.50
	508 x 305 x 168			432 x 267			454 x 178	64	27	8	152	38
A16N166LP	16.00 x 16.00 x 6.62	16	A16N16MP	13.00 x 14.50	14	4	13.88 x 11.00	2.50	1.06	0.31	6.00	1.50
	406 x 406 x 168			330 x 368			353 x 279	64	27	8	152	38
A16N206LP	16.00 x 20.00 x 6.62	16	A16N20MP	13.00 x 18.50	14	4	13.88 x 15.00	2.50	1.06	0.31	6.00	1.50
	406 x 508 x 168			330 x 470			353 x 381	64	27	8	152	38
A20N166LP	20.00 x 16.00 x 6.62	16	A20N16MP	17.00 x 14.50	14	4	17.88 x 11.00	2.50	1.06	0.31	6.00	1.50
	508 x 406 x 168			432 x 368			454 x 279	64	27	8	152	38
A20N206LP	20.00 x 20.00 x 6.62	16	A20N20MP	17.00 x 18.50	14	4	17.88 x 15.00	2.50	1.06	0.31	6.00	1.50
	508 x 508 x 168			432 x 470			454 x 381	64	27	8	152	38
A24N166LP	24.00 x 16.00 x 6.62	16	A24N16MP	21.00 x 14.50	14	4	21.88 x 11.00	2.50	1.06	0.31	6.00	1.50
	610 x 406 x 168			533 x 368			556 x 279	64	27	8	152	38
A24N206LP	24.00 x 20.00 x 6.62	16	A24N20MP	21.00 x 18.50	14	4	21.88 x 15.00	2.50	1.06	0.31	6.00	1.50
	610 x 508 x 168			533 x 470			556 x 381	64	27	8	152	38
A24N246LP	24.00 x 24.00 x 6.62	14	A24N24MP	21.00 x 22.50	12	4	21.88 x 19.00	2.50	1.06	0.31	6.00	1.50
	610 x 610 x 168			533 x 572			556 x 483	64	27	8	152	38
A30N206LP	30.00 x 20.00 x 6.62	14	A30N20MP	26.00 x 18.50	12	6	27.50 x 12.75	3.62	1.25	0.44	6.00	2.00
	762 x 508 x 168			660 x 470			699 x 324	92	32	11	152	51
A30N246LP	30.00 x 24.00 x 6.62	14	A30N24MP	26.00 x 22.50	12	6	27.50 x 16.75	3.62	1.25	0.44	6.00	2.00
	762 x 610 x 168			660 x 572			699 x 425	92	32	11	152	51
A36N246LP	36.00 x 24.00 x 6.62	14	A36N24MP	32.00 x 22.50	12	6	33.50 x 16.75	3.62	1.25	0.44	6.00	2.00
	914 x 610 x 168			813 x 572			851 x 425	92	32	11	152	51
A36N306LP	36.00 x 30.00 x 6.62	14	A36N30MP	32.00 x 28.50	12	8	33.50 x 22.75	3.62	1.25	0.44	6.00	2.00
	914 x 762 x 168			813 x 724			851 x 578	92	32	11	152	51
A16N128LP	16.00 x 12.00 x 8.62	16	A16N12MP	13.00 x 10.50	14	4	13.88 x 7.00	2.50	1.06	0.31	8.00	1.50
	406 x 305 x 219			330 x 267			353 x 178	64	27	8	203	38
A20N168LP	20.00 x 16.00 x 8.62	16	A20N16MP	17.00 x 14.50	14	4	17.88 x 11.00	2.50	1.06	0.31	8.00	1.50
	508 x 406 x 219			432 x 368			454 x 279	64	27	8	203	38
A24N168LP	24.00 x 16.00 x 8.62	16	A24N16MP	21.00 x 14.50	14	4	21.88 x 11.00	2.50	1.06	0.31	8.00	1.50
	610 x 406 x 219			533 x 368			556 x 279	64	27	8	203	38
A20N208LP	20.00 x 20.00 x 8.62	16	A20N20MP	17.00 x 18.50	14	4	17.88 x 15.00	2.50	1.06	0.31	8.00	1.50
	508 x 508 x 219			432 x 470			454 x 381	64	27	8	203	38
A24N208LP	24.00 x 20.00 x 8.62	16	A24N20MP	21.00 x 18.50	14	4	21.88 x 15.00	2.50	1.06	0.31	8.00	1.50
	610 x 508 x 219			533 x 470			556 x 381	64	27	8	203	38
A24N248LP	24.00 x 24.00 x 8.62	14	A24N24MP	21.00 x 22.50	12	4	21.88 x 19.00	2.50	1.06	0.31	8.00	1.50
	610 x 610 x 219			533 x 572			556 x 483	64	27	8	203	38

## Hinged-Cover Type 1 Boxes, Enclosures and Accessories

Catalog Number	AxBxC in./mm	Gauge	Panel	Panel Size		Number of Studs	Mounting					
				D x E in./mm	Panel Gauge		G x H in./mm	J in./mm	Q in./mm	P in./mm	F in./mm	K in./mm
<b>A30N208LP</b>	30.00 x 20.00 x 8.62	14	A30N20MP	26.00 x 18.50	12	6	27.50 x 12.75	3.62	1.25	0.44	8.00	2.00
	762 x 508 x 219			660 x 470			699 x 324					
<b>A30N248LP</b>	30.00 x 24.00 x 8.62	14	A30N24MP	26.00 x 22.50	12	6	27.50 x 16.75	3.62	1.25	0.44	8.00	2.00
	762 x 610 x 219			660 x 572			699 x 425					
<b>A30N308LP</b>	30.00 x 30.00 x 8.62	14	A30N30MP	26.00 x 28.50	12	8	27.50 x 22.75	3.62	1.25	0.44	8.00	2.00
	762 x 762 x 219			660 x 724			699 x 578					
<b>A36N248LP</b>	36.00 x 24.00 x 8.62	14	A36N24MP	32.00 x 22.50	12	6	33.50 x 16.75	3.62	1.25	0.44	8.00	2.00
	914 x 610 x 219			813 x 572			851 x 425					
<b>A36N308LP</b>	36.00 x 30.00 x 8.62	14	A36N30MP	32.00 x 28.50	12	8	33.50 x 22.75	3.62	1.25	0.44	8.00	2.00
	914 x 762 x 219			813 x 724			851 x 578					
<b>A24N2010LP</b>	24.00 x 20.00 x 10.62	16	A24N20MP	21.00 x 18.50	14	4	21.88 x 15.00	2.50	1.06	0.31	10.00	1.50
	610 x 508 x 270			533 x 470			556 x 381					
<b>A24N2412LP</b>	24.00 x 24.00 x 12.62	14	A24N24MP	21.00 x 22.50	12	4	21.88 x 19.00	2.50	1.06	0.31	12.00	1.50
	610 x 610 x 321			533 x 572			556 x 483					
<b>A30N2412LP</b>	30.00 x 24.00 x 12.62	14	A30N24MP	26.00 x 22.50	12	6	27.50 x 16.75	3.62	1.25	0.44	12.00	2.00
	762 x 610 x 321			660 x 724			699 x 425					
<b>A36N3012LP</b>	36.00 x 30.00 x 12.62	14	A36N30MP	32.00 x 28.50	12	8	33.50 x 22.75	3.62	1.25	0.44	12.00	2.00
	914 x 762 x 321			813 x 724			851 x 578					

Purchase panels separately.



## Hinged-Cover Type 1 Boxes, Enclosures and Accessories

### T1FLO® Vented Enclosure with Fan, Type 1



#### Industry Standards

UL 508A Listed; Type 1; File No. E61997  
 cUL Listed per CSA C22.2 No. 94; Type 1; File No. E61997

NEMA/EEMAC Type 1  
 IEC 60529, IP20

#### Application

These enclosures have a thermostatically controlled forced-air ventilation system for the removal of heat. Ideal for control systems in HVAC or industrial environments that have a combination of heat-sensitive electronics with high heat producing components such as (VFD) drives, inverters, PLCs and non-hardened processors.

#### Features

- Active cooling ventilation system with factory installed, thermostatically controlled fan (115 VAC) and filter
- Terminal block power connection for fan
- Washable expanded metal filter
- Lift-off hinged door
- Slotted quarter-turn latch
- Collar studs for mounting optional panel
- Grounding provision on door and body
- Mounting holes on back of enclosure
- Accepts optional mounting foot kit
- Door gasket

#### Specifications

- 14 gauge steel

#### Finish

ANSI 61 gray polyester powder paint finish inside and out over pre-treated surfaces. Optional solid panels are white; optional perforated panels are gray.

#### Accessories

- [s-3403]
- [s-3559]
- [s-3420]
- [s-3458]
- [s-3466]
- [s-3440]
- [s-3507]
- [s-3556]
- [s-3403]
- [s-3428]
- [s-3385]

#### Notes

##### Required Airflow

The following equation is used to calculate the airflow required in a forced-air system to remove heat and maintain enclosure temperature a given amount above the ambient temperature.

$$CFM = W_T \times 3.16 / T_{int} - T_{amb}$$

Where:

CFM = Required airflow (ft.<sup>3</sup> / min.)

$W_T$  = Total heat dissipated in enclosure (watts)

$T_{amb}$  = Ambient or external Temperature (degrees F)

$T_{int}$  = Desired internal Temperature (degrees F)

**Bulletin: A1DR**

#### Standard Product

Catalog Number	AxBxC in./mm	System CFM	Suggested HP	Panel Size		Panel Gauge	G in./mm	H in./mm	Fan Size in./mm
				Solid Panel	Perforated Panel				
T1F80LP	28.00 x 24.00 x 12.75	80	3	A24P24	A24P24PP	21.00 x 21.00	26.50	21.00	4
	711 x 610 x 324								
T1F130LP	34.00 x 24.00 x 12.75	130	Up to 20	A30P24	A30P24PP	27.00 x 21.00	32.50	21.00	4 (2x)
	864 x 610 x 324								
T1F200LP	40.00 x 24.00 x 12.75	200	40	A36P24	A36P24PP	33.00 x 21.00	38.50	21.00	6
	1016 x 610 x 324								
T1F350LP	54.00 x 30.00 x 12.75	350	Up to 75	A48P30	N/A	45.00 x 27.00	52.50	27.00	6 (2x)
	1372 x 762 x 324								

# Hinged-Cover Type 1 Boxes, Enclosures and Accessories

## Sample Values

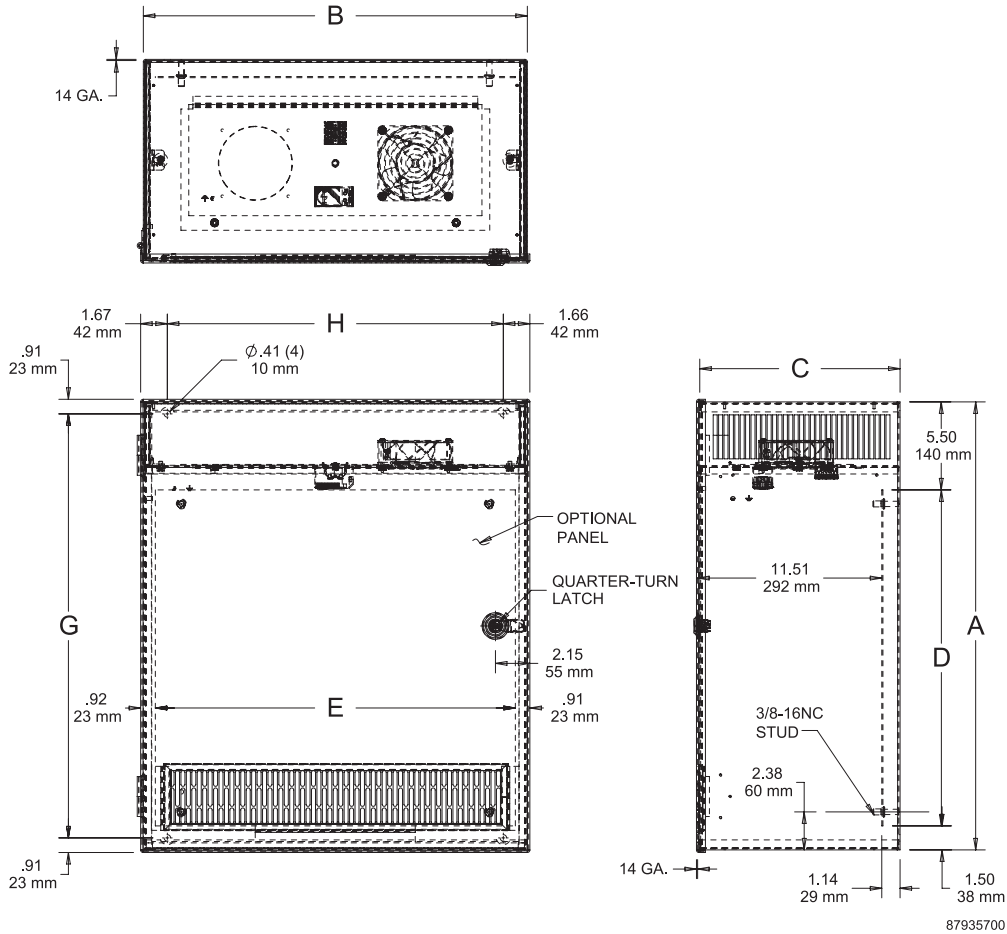
Catalog Number	Airflow (CFM)	Max. Internal Heat Load (W) 5 F Temp. Rise	Max. Internal Heat Load (W) 10 F Temp. Rise	Max. Internal Heat Load (W) 20 F Temp. Rise	Max. Internal Heat Load (W) 30 F Temp. Rise
T1F80LP	80	127	253	506	759
T1F130LP	130	206	411	823	1234
T1F200LP	200	316	633	1266	1899
T1F350LP	350	554	1108	2215	3323

## Sample Values in a VFD Drive Application

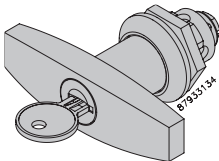
Catalog Number (with enough air flow)	Drive HP	Heat from Drive (W)	Total Heat* (W)	Airflow (CFM) to Maintain 15 F Temp. Rise
T1F80LP	10	246	307	65
T1F130LP	20	492	615	129
T1F200LP	30	738	922	194
T1F350LP	50	1229	1536	324

\*Total heat load factors 25 percent greater than VFD for passive components

**Assumptions:** Specific values and physical sizes must be verified.  
Typical motor efficiency is 91 percent; typical drive efficiency is 97 percent.



## Locking T Handle



Optional locking T-Handle available for replacement of the quarter-turn latch (order separately).

**Bulletin: T90R3**

Catalog Number	Description
ALTC3R	Available for replacement of the quarter-turn latch

## Hinged-Cover Type 1 Boxes, Enclosures and Accessories

### Hinged-Cover, Type 1



#### Industry Standards

UL 50, 50E Listed; Type 1; File No. E27567  
cUL Listed per CSA C22.2 No 40; Type 1; File No. E27567

NEMA/EEMAC Type 1  
CSA, File 42184: Type 1  
IEC 60529, IP30

#### Application

These boxes feature a recessed, slotted flush latch for security as well as knockouts on all four sides, making them suitable for a wide variety of applications.

#### Features

- Various sizes of easily removable concentric knockouts on all four sides
- Butt hinges
- Mounting holes on back of box
- Provision for grounding

#### Specifications

- 16 or 14 gauge steel

#### Finish

ANSI 61 gray polyester powder paint finish inside and out over pretreated surfaces. Unless otherwise specified, all custom cutout boxes are finished with ANSI 61 gray polyester paint.

#### Accessories

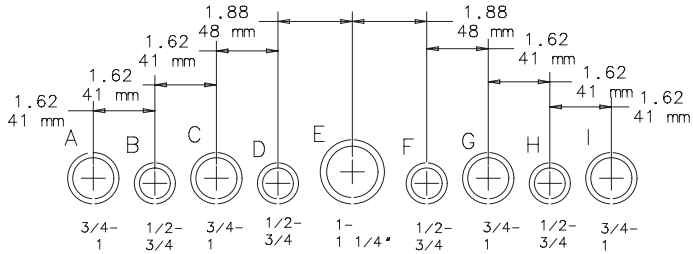
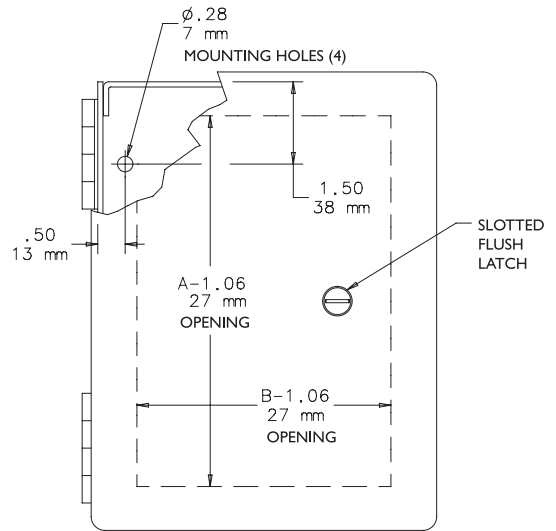
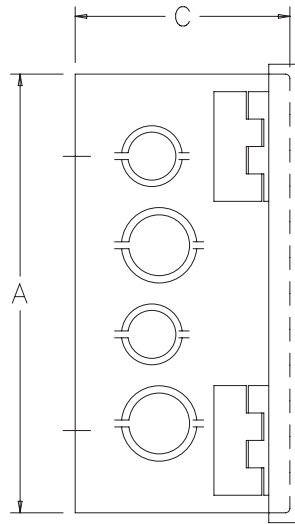
- [s-3403]
- [s-3458]
- [s-3403]
- [s-3428]

**Bulletin: A90HC**

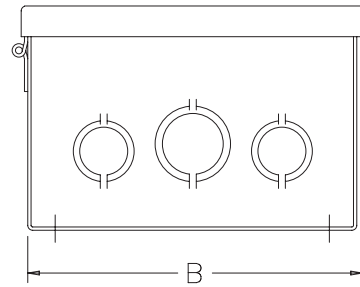
#### Standard Product

Catalog Number	AxBxC in.	AxBxC mm	Knockout Pattern along "A" Sides	Knockout Pattern along "B" Sides
AHE6X4X4	6.00 x 4.00 x 4.00	152 x 102 x 102	B-C-D	B-C
AHE6X6X4	6.00 x 6.00 x 4.00	152 x 152 x 102	B-C-D	B-C-D
AHE8X6X4	8.00 x 6.00 x 4.00	203 x 152 x 102	F-G-H-I	B-C-D
AHE8X8X4	8.00 x 8.00 x 4.00	203 x 203 x 102	F-G-H-I	F-G-H-I
AHE10X8X4	10.00 x 8.00 x 4.00	254 x 203 x 102	F-G-H-I	F-G-H-I
AHE10X10X4	10.00 x 10.00 x 4.00	254 x 254 x 102	F-G-H-I	C-D-E-F-G
AHE12X8X4	12.00 x 8.00 x 4.00	305 x 203 x 102	C-D-E-F-G	F-G-H-I
AHE12X10X4	12.00 x 10.00 x 4.00	305 x 254 x 102	C-D-E-F-G	C-D-E-F-G
AHE12X12X4	12.00 x 12.00 x 4.00	305 x 305 x 102	C-D-E-F-G	C-D-E-F-G
AHE16X12X4	16.00 x 12.00 x 4.00	406 x 305 x 102	B-C-D-E-F-G-H	C-D-E-F-G
AHE18X12X4	18.00 x 12.00 x 4.00	457 x 305 x 102	A-B-C-D-E-F-G-H-I	C-D-E-F-G
AHE6X6X6	6.00 x 6.00 x 6.00	152 x 152 x 152	B-C-D	B-C-D
AHE8X8X6	8.00 x 8.00 x 6.00	203 x 203 x 152	F-G-H-I	F-G-H-I
AHE10X8X6	10.00 x 8.00 x 6.00	254 x 203 x 152	F-G-H-I	F-G-H-I
AHE10X10X6	10.00 x 10.00 x 6.00	254 x 254 x 152	F-G-H-I	C-D-E-F-G
AHE12X10X6	12.00 x 10.00 x 6.00	305 x 254 x 152	C-D-E-F-G	C-D-E-F-G
AHE12X12X6	12.00 x 12.00 x 6.00	305 x 305 x 152	C-D-E-F-G	C-D-E-F-G
AHE16X12X6	16.00 x 12.00 x 6.00	406 x 305 x 152	B-C-D-E-F-G-H	C-D-E-F-G
AHE16X16X6	16.00 x 16.00 x 6.00	406 x 406 x 152	B-C-D-E-F-G-H	B-C-D-E-F-G-H
AHE18X12X6	18.00 x 12.00 x 6.00	457 x 305 x 152	A-B-C-D-E-F-G-H-I	C-D-E-F-G
AHE18X18X6	18.00 x 18.00 x 6.00	457 x 457 x 152	A-B-C-D-E-F-G-H-I	A-B-C-D-E-F-G-H-I
AHE24X18X6	24.00 x 18.00 x 6.00	610 x 457 x 152	A-B-C-D-E-F-G-H-I	A-B-C-D-E-F-G-H-I
AHE24X24X6	24.00 x 24.00 x 6.00	610 x 610 x 152	A-B-C-D-E-F-G-H-I	A-B-C-D-E-F-G-H-I
AHE30X24X6	30.00 x 24.00 x 6.00	762 x 610 x 152	A-B-C-D-E-F-G-H-I	A-B-C-D-E-F-G-H-I
AHE36X24X6	36.00 x 24.00 x 6.00	914 x 610 x 152	A-B-C-D-E-F-G-H-I	A-B-C-D-E-F-G-H-I
AHE36X24X8	36.00 x 24.00 x 8.00	914 x 610 x 203	A-B-C-D-E-F-G-H-I	A-B-C-D-E-F-G-H-I

### Hinged-Cover Type 1 Boxes, Enclosures and Accessories



CONDUIT SIZES  
**Knockout Pattern**  
 (from outside of box)



C2571-C

NOTE: Refer to table for applicable knockout pattern.



## Hinged-Cover Type 1 Boxes, Enclosures and Accessories

### Small, Type 1



#### Industry Standards

UL 50, 50E Listed; Type 1; File No. E27567  
 cUL Listed per CSA C22.2 No 40; Type 1; File No. E27567

NEMA/EEMAC Type 1  
 CSA, File 42184: Type 1  
 IEC 60529, IP30

#### Application

These enclosures have a size range of 6 x 6 x 4-in. to 14 x 12 x 8-in. and meet basic functionality requirements for applications that do not require oil- or dust-tight enclosures.

#### Features

- Flush slotted latch operated with a screwdriver; optional latches available
- Weldnuts provided for mounting optional panels
- Butt hinges
- Mounting holes on back of enclosure

#### Specifications

- 16 gauge steel

#### Finish

ANSI 61 gray polyester powder paint finish inside and out over pretreated surfaces. Optional solid panels are white and optional perforated panels are gray.

#### Accessories

- [s-3403]
- [s-3458]
- [s-3436]
- [s-3403]
- [s-3428]
- [s-3385]

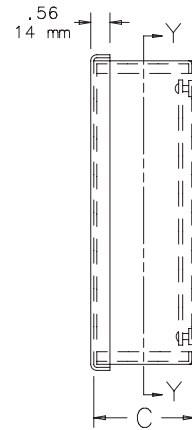
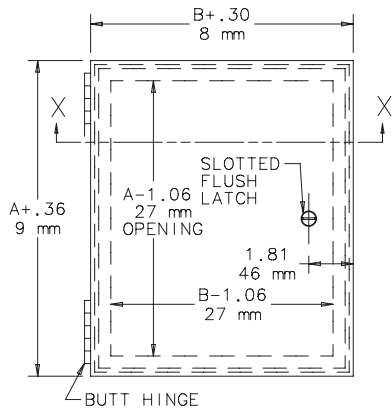
Bulletin: A1SM

#### Standard Product

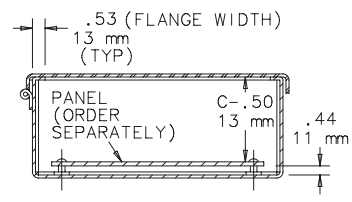
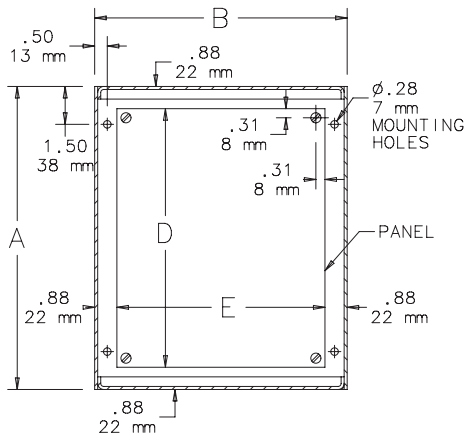
Catalog Number	AxBxC in./mm	Panel	Perforated Panel	Panel Size D x E in./mm
A6N64	6.00 x 6.00 x 4.00	A6N6P	A6N6PP	4.25 x 4.25
	152 x 152 x 102			108 x 108
A8N64	8.00 x 6.00 x 4.00	A8N6P	A8N6PP	6.25 x 4.25
	203 x 152 x 102			159 x 108
A8N84	8.00 x 8.00 x 4.00	A8N8P	A8N8PP	6.25 x 6.25
	203 x 203 x 102			159 x 159
A10N84	10.00 x 8.00 x 4.00	A10N8P	A10N8PP	8.25 x 6.25
	254 x 203 x 102			210 x 159
A10N104	10.00 x 10.00 x 4.00	A10N10P	A10N10PP	8.25 x 8.25
	254 x 254 x 102			210 x 210
A12N104	12.00 x 10.00 x 4.00	A12N10P	A12N10PP	10.25 x 8.25
	305 x 254 x 102			260 x 210
A12N124	12.00 x 12.00 x 4.00	A12N12P	A12N12PP	10.25 x 10.25
	305 x 305 x 102			260 x 260
A14N124	14.00 x 12.00 x 4.00	A14N12P	A14N12PP	12.25 x 10.25
	356 x 305 x 102			311 x 260
A8N66	8.00 x 6.00 x 6.00	A8N6P	A8N6PP	6.25 x 4.25
	203 x 152 x 152			159 x 108
A8N86	8.00 x 8.00 x 6.00	A8N8P	A8N8PP	6.25 x 6.25
	203 x 203 x 152			159 x 159
A10N86	10.00 x 8.00 x 6.00	A10N8P	A10N8PP	8.25 x 6.25
	254 x 203 x 152			210 x 159
A10N106	10.00 x 10.00 x 6.00	A10N10P	A10N10PP	8.25 x 8.25
	254 x 254 x 152			210 x 210
A12N106	12.00 x 10.00 x 6.00	A12N10P	A12N10PP	10.25 x 8.25
	305 x 254 x 152			260 x 210
A12N126	12.00 x 12.00 x 6.00	A12N12P	A12N12PP	10.25 x 10.25
	305 x 305 x 152			260 x 260
A14N126	14.00 x 12.00 x 6.00	A14N12P	A14N12PP	12.25 x 10.25
	356 x 305 x 152			311 x 260
A16N126	16.00 x 12.00 x 6.00	A16N12P	A16N12PP	14.25 x 10.25
	406 x 305 x 152			362 x 260
A20N126	20.00 x 12.00 x 6.00	A20N12P	A20N12PP	18.25 x 10.25
	508 x 305 x 152			464 x 260
A12N128	12.00 x 12.00 x 8.00	A12N12P	A12N12PP	10.25 x 10.25
	305 x 305 x 203			260 x 260
A14N128	14.00 x 12.00 x 8.00	A14N12P	A14N12PP	12.25 x 10.25
	356 x 305 x 203			311 x 260

Purchase panels separately.

# Hinged-Cover Type 1 Boxes, Enclosures and Accessories



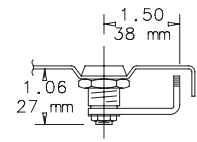
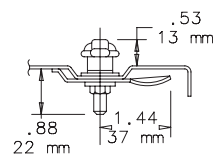
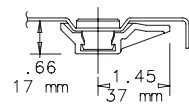
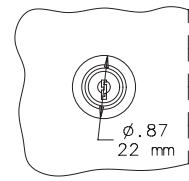
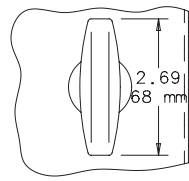
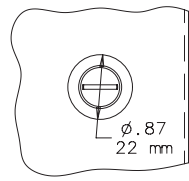
NOTE: 1. Panels are 14 gauge steel.  
2. Panel screws have #10-32 threads.



SECTION Y-Y

SECTION X-X

Optional Latches



Standard Slotted Flush Latch

\*T\* Handle Latch Kit AL7A

Cylinder Lock Kit AL12AR C2572-C

# Hinged-Cover Type 1 Boxes, Enclosures and Accessories

## Medium, Type 1



### Industry Standards

UL 50, 50E Listed; Type 1; File No. E27567  
 cUL Listed per CSA C22.2 No 40; Type 1; File No. E27567

NEMA/EEMAC Type 1  
 CSA, File 42184: Type 1  
 IEC 60529, IP30

### Application

These enclosures have a size range of 16 x 12 x 6-in. to 36 x 30 x 12-in. and meet basic functionality requirements for applications that do not require oil- or dust-tight enclosures.

### Features

- Doors have butt hinges
- Collar studs provided for mounting optional panel
- Slotted flush latches; optional latches available
- Mounting holes on back of enclosure

### Specifications

- 14 or 12 gauge steel

### Finish

ANSI 61 gray polyester powder paint finish inside and out over pretreated surfaces. Optional solid panels are white and optional perforated panels are gray.

### Accessories

- [s-3403]
- [s-3559]
- [s-3420]
- [s-3458]
- [s-3437]
- [s-3507]
- [s-3403]
- [s-3428]
- [s-3385]

Bulletin: ATM

### Standard Product

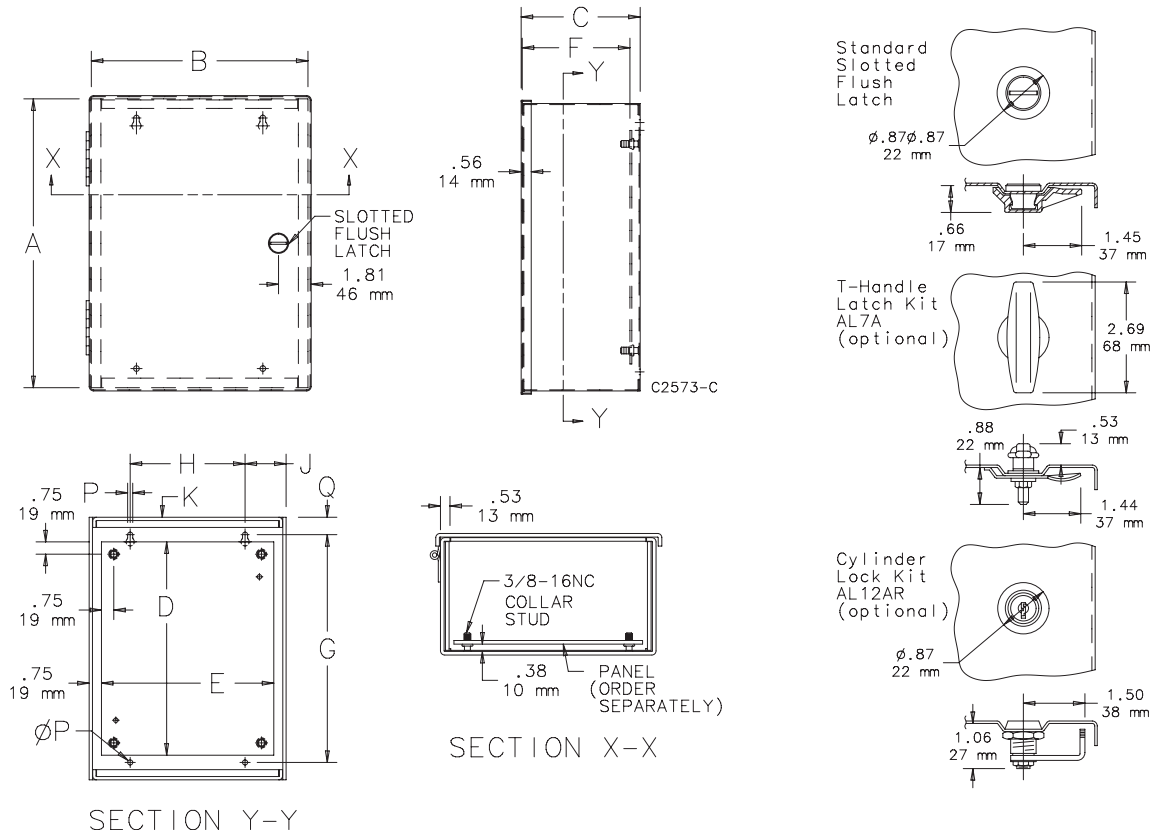
Catalog Number	Ax B x C in./mm	Panel	Perforated Panel	Panel Size		Panel Gauge	G in./mm	H in./mm	J in./mm	Q in./mm	P in./mm	F in./mm	K in./mm
				D x E in./mm									
A16N12ALP	16.00 x 12.00 x 6.62	A16N12MP	A16N12MPP	13.00 x 10.50		14	13.88	7.00	2.50	1.06	0.31	6.00	1.50
	406 x 305 x 168			330 x 267	353		178	64	27	8	152	38	
A16N16ALP	16.00 x 16.00 x 6.62	A16N16MP	A16N16MPP	13.00 x 14.50		14	13.88	11.00	2.50	1.06	0.31	6.00	1.50
	406 x 406 x 168			330 x 368	353		279	64	27	8	152	38	
A16N20ALP	16.00 x 20.00 x 6.62	A16N20MP	A16N20MPP	13.00 x 18.50		14	13.88	15.00	2.50	1.06	0.31	6.00	1.50
	406 x 508 x 168			330 x 470	353		381	64	27	8	152	38	
A20N16ALP	20.00 x 16.00 x 6.62	A20N16MP	A20N16MPP	17.00 x 14.50		14	17.88	11.00	2.50	1.06	0.31	6.00	1.50
	508 x 406 x 168			432 x 368	454		279	64	27	8	152	38	
A20N20ALP	20.00 x 20.00 x 6.62	A20N20MP	A20N20MPP	17.00 x 18.50		14	17.88	15.00	2.50	1.06	0.31	6.00	1.50
	508 x 508 x 168			432 x 470	454		381	64	27	8	152	38	
A24N16ALP	24.00 x 16.00 x 6.62	A24N16MP	A24N16MPP	21.00 x 14.50		14	21.88	11.00	2.50	1.06	0.31	6.00	1.50
	610 x 406 x 168			533 x 368	556		279	64	27	8	152	38	
A24N20ALP	24.00 x 20.00 x 6.62	A24N20MP	A24N20MPP	21.00 x 18.50		14	21.88	15.00	2.50	1.06	0.31	6.00	1.50
	610 x 508 x 168			533 x 470	556		381	64	27	8	152	38	
A24N24ALP	24.00 x 24.00 x 6.62	A24N24MP	A24N24MPP*	21.00 x 22.50		12	21.88	19.00	2.50	1.06	0.31	6.00	1.50
	610 x 610 x 168			533 x 572	556		483	64	27	8	152	38	
A30N24ALP	30.00 x 24.00 x 6.62	A30N24MP	A30N24MPP*	26.00 x 22.50		12	27.50	16.75	3.62	1.25	0.44	6.00	2.00
	762 x 610 x 168			660 x 572	699		425	92	32	11	152	51	
A36N24ALP	36.00 x 24.00 x 6.62	A36N24MP	A36N24MPP*	32.00 x 22.50		12	33.50	16.75	3.62	1.25	0.44	6.00	2.00
	914 x 610 x 168			813 x 572	851		425	92	32	11	152	51	
A36N30ALP	36.00 x 30.00 x 6.62	A36N30MP	A36N30MPP*	32.00 x 28.50		12	33.50	22.75	3.62	1.25	0.44	6.00	2.00
	914 x 762 x 168			813 x 724	851		578	92	32	11	152	51	
A16N12BLP	16.00 x 12.00 x 8.62	A16N12MP	A16N12MPP	13.00 x 10.50		14	13.88	7.00	2.50	1.06	0.31	8.00	1.50
	406 x 305 x 219			330 x 267	353		178	64	27	8	203	38	
A20N12BLP	20.00 x 12.00 x 8.62	A20N12MP	A20N12MPP	17.00 x 10.50		14	17.88	7.00	2.50	1.06	0.31	8.00	1.50
	508 x 305 x 219			432 x 267	454		178	64	27	8	203	38	
A20N16BLP	20.00 x 16.00 x 8.62	A20N16MP	A20N16MPP	17.00 x 14.50		14	17.88	11.00	2.50	1.06	0.31	8.00	1.50
	508 x 406 x 219			432 x 368	454		279	64	27	8	203	38	
A20N20BLP	20.00 x 20.00 x 8.62	A20N20MP	A20N20MPP	17.00 x 18.50		14	17.88	15.00	2.50	1.06	0.31	8.00	1.50
	508 x 508 x 219			432 x 470	454		381	64	27	8	203	38	
A24N20BLP	24.00 x 20.00 x 8.62	A24N20MP	A24N20MPP	21.00 x 18.50		14	21.88	15.00	2.50	1.06	0.31	8.00	1.50
	610 x 508 x 219			533 x 470	556		381	64	27	8	203	38	
A24N24BLP	24.00 x 24.00 x 8.62	A24N24MP	A24N24MPP*	21.00 x 22.50		12	21.88	19.00	2.50	1.06	0.31	8.00	1.50
	610 x 610 x 219			533 x 572	556		483	64	27	8	203	38	
A30N20BLP	30.00 x 20.00 x 8.62	A30N20MP	A30N20MPP*	26.00 x 18.50		12	27.50	15.00	2.50	1.25	0.44	8.00	2.00
	762 x 508 x 219			660 x 470	699		381	64	32	11	203	51	
A30N24BLP	30.00 x 24.00 x 8.62	A30N24MP	A30N24MPP*	26.00 x 22.50		12	27.50	16.75	3.62	1.25	0.44	8.00	2.00
	762 x 610 x 219			660 x 572	699		425	92	32	11	203	51	

# Hinged-Cover Type 1 Boxes, Enclosures and Accessories

Catalog Number	Ax B x C in./mm	Panel	Perforated Panel	Panel Size		G in./mm	H in./mm	J in./mm	Q in./mm	P in./mm	F in./mm	K in./mm
				D x E in./mm	Panel Gauge							
<b>A30N30BLP</b>	30.00 x 30.00 x 8.62 762 x 762 x 219	A30N30MP	A30N30MPP*	26.00 x 28.50 660 x 724	12	27.50 699	22.75 578	3.62 92	1.25 32	0.44 11	8.00 203	2.00 51
<b>A36N24BLP</b>	36.00 x 24.00 x 8.62 914 x 610 x 219	A36N24MP	A36N24MPP*	32.00 x 22.50 813 x 572	12	33.50 851	16.75 425	3.62 92	1.25 32	0.44 11	8.00 203	2.00 51
<b>A36N30BLP</b>	36.00 x 30.00 x 8.62 914 x 762 x 219	A36N30MP	A36N30MPP*	32.00 x 28.50 813 x 724	12	33.50 851	22.75 578	3.62 92	1.25 32	0.44 11	8.00 203	2.00 51
<b>A18N18CLP</b>	18.00 x 18.00 x 10.62 441 x 441 x 270	A18N18MP	A18N18MPP	15.00 x 16.50 381 x 419	14	15.88 403	13.00 330	2.50 64	1.06 27	0.31 8	10.00 254	1.50 38
<b>A24N20CLP</b>	24.00 x 20.00 x 10.62 610 x 508 x 270	A24N20MP	A24N20MPP	21.00 x 18.50 533 x 470	14	21.88 556	15.00 381	2.50 64	1.06 27	0.31 8	10.00 254	1.50 38
<b>A30N24CLP</b>	30.00 x 24.00 x 10.62 762 x 610 x 270	A30N24MP	A30N24MPP*	21.00 x 22.50 533 x 572	12	27.50 699	16.75 425	3.62 92	1.25 32	0.44 11	10.00 254	2.00 51
<b>A24N24DLP</b>	24.00 x 24.00 x 12.62 610 x 610 x 321	A24N24MP	A24N24MPP*	21.00 x 22.50 533 x 572	12	21.88 556	19.00 483	2.50 64	1.06 27	0.31 8	12.00 305	1.50 38
<b>A30N24DLP</b>	30.00 x 24.00 x 12.62 762 x 610 x 321	A30N24MP	A30N24MPP*	26.00 x 22.50 660 x 724	12	27.50 699	16.75 425	3.62 92	1.25 32	0.44 11	12.00 305	2.00 51
<b>A36N30DLP</b>	36.00 x 30.00 x 12.62 914 x 762 x 321	A36N30MP	A36N30MPP*	32.00 x 28.50 813 x 724	12	33.50 851	22.75 578	3.62 92	1.25 32	0.44 11	12.00 305	2.00 51

Purchase panels separately.

\*Flanged on all four sides



## Hinged-Cover Type 1 Boxes, Enclosures and Accessories

### Large, Type 1



#### Application

These enclosures have a size range of 42 x 30 x 9-in. to 48 x 36 x 17-in. and meet basic functionality requirements for applications that do not require oil- or dust-tight enclosures.

#### Features

- Continuous hinge on door
- Slotted flush latch; optional latches available
- Collar studs provided for mounting optional panels
- Mounting holes on back of enclosure; optional mounting bracket kit is available (AMFLN1)

#### Specifications

- 14 gauge steel

#### Finish

ANSI 61 gray polyester powder paint finish inside and out over pretreated surfaces. Optional panels are white.

#### Accessories

- [s-3403]
- [s-3559]
- [s-3420]
- [s-3458]
- [s-3437]
- [s-3450]
- [s-106445]
- [s-3428]
- [s-3385]

Bulletin: ATL

#### Industry Standards

UL 50, 50E Listed; Type 1; File No. E27567  
cUL Listed per CSA C22.2 No 40; Type 1; File No. E27567

NEMA/EEMAC Type 1  
CSA, File 42184: Type 1  
IEC 60529, IP30

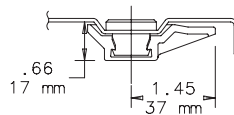
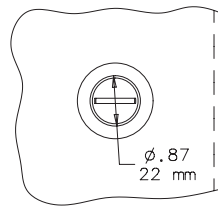
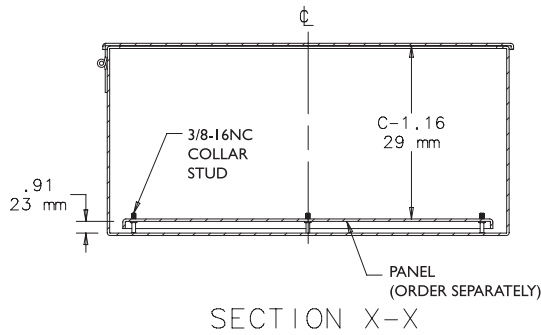
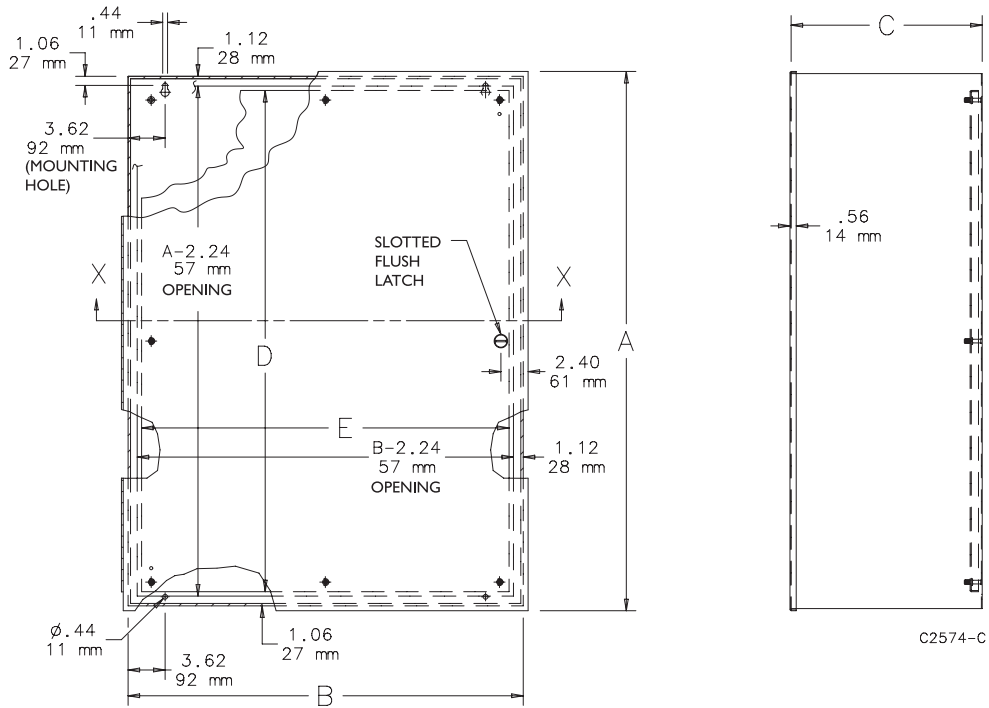
#### Standard Product

Catalog Number	AxBxC in./mm	Panel	Panel Size D x E in./mm	Mounting Bracket Kit
A42N3009	42.00 x 30.00 x 9.25	A42P30	39.00 x 27.00	AMFLN1
	1067 x 762 x 235		991 x 686	
A42N3609	42.00 x 36.00 x 9.25	A42P36	39.00 x 33.00	AMFLN1
	1067 x 914 x 235		991 x 838	
A48N3609	48.00 x 36.00 x 9.25	A48P36	45.00 x 33.00	AMFLN1
	1219 x 914 x 235		1143 x 838	
A48N3611	48.00 x 36.00 x 11.25	A48P36	45.00 x 33.00	AMFLN1
	1219 x 914 x 286		1143 x 838	
A42N3013	42.00 x 30.00 x 13.25	A42P30	39.00 x 27.00	AMFLN1
	1067 x 762 x 337		991 x 686	
A42N3613	42.00 x 36.00 x 13.25	A42P36	39.00 x 33.00	AMFLN1
	1067 x 914 x 337		991 x 838	
A48N3613	48.00 x 36.00 x 13.25	A48P36	45.00 x 33.00	AMFLN1
	1219 x 914 x 337		1143 x 838	
A48N3617	48.00 x 36.00 x 17.25	A48P36	45.00 x 33.00	AMFLN1
	1219 x 914 x 438		1143 x 838	

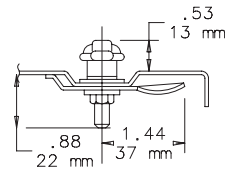
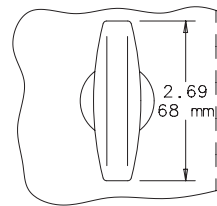
Purchase panels separately. Optional aluminum panels are available for most sizes.

Mounting Bracket Kit must be ordered separately.

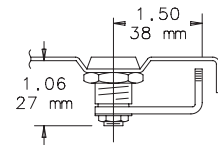
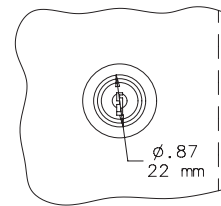
# Hinged-Cover Type 1 Boxes, Enclosures and Accessories



**Standard Slotted Flush Latch**



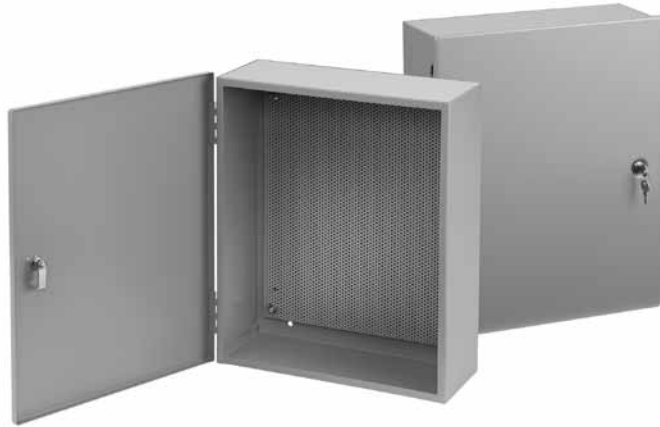
**"T" Handle Latch Kit AL7A (optional)**



**Cylinder Lock Kit AL12AR (optional)**

## Hinged-Cover Type 1 Boxes, Enclosures and Accessories

### Locking Integrated Perforated Panel Enclosure, Type 1



*Example of Integrated Panel;  
wiring devices not included.*

#### Industry Standards

UL 50, 50E Listed; Type 1; File No. E27567  
cUL Listed per CSA C22.2 No 40; Type 1; File No. E27567

NEMA/EEMAC Type 1  
IEC 60529, IP30

#### Application

The perforated panel that ships inside these enclosures accepts self-tapping screws and eliminates the need to measure, mark and drill when mounting components, which results in labor and time savings.

#### Features

- Door has key lock quarter-turn latch; two keys included
- Select models have concentric knockouts on four sides

#### Specifications

- 14 and 16 gauge steel
- Includes removable 16 gauge gray perforated panel

#### Finish

ANSI 61 gray polyester powder paint finish inside and out over pretreated surfaces.

#### Accessories

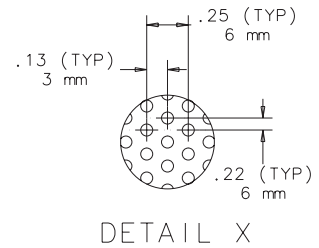
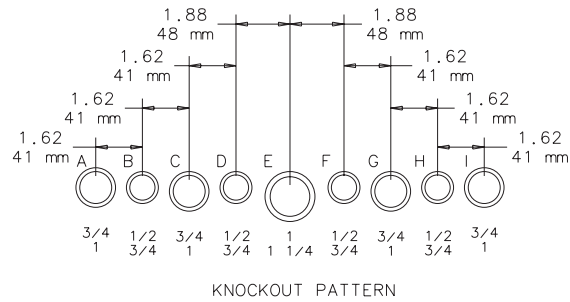
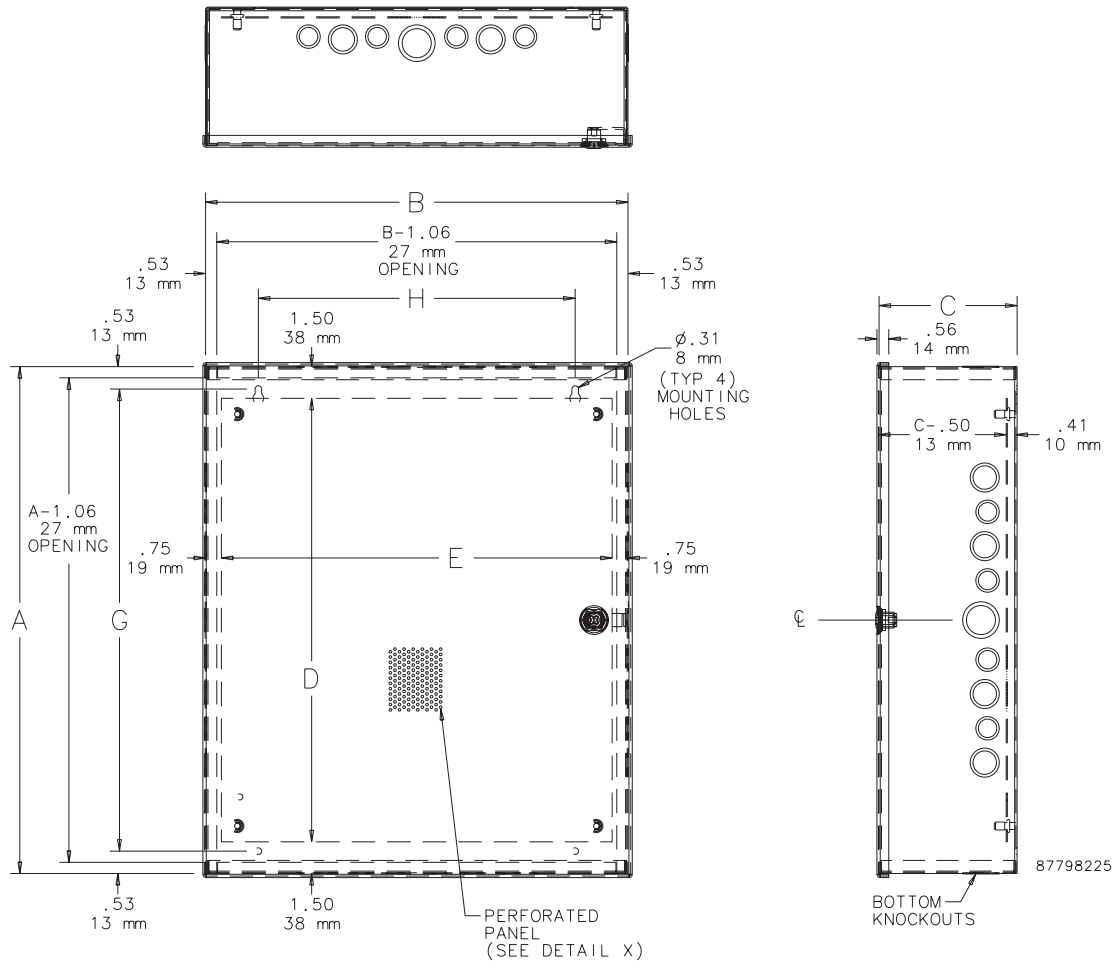
[s-3428]

Bulletin: A1PP

#### Standard Product

Catalog Number	AxBxC in./mm	Panel Size D x E in./mm	Mounting Holes G x H in./mm	Knockout Pattern A-Sides	Knockout Pattern B-Sides
A12126T1PP	12.00 x 12.00 x 6.00	10.25 x 10.25	9.00 x 11.00	C-D-E-F-G	C-D-E-F-G
	305 x 305 x 152	260 x 260	229 x 279		
A16126T1PP	16.00 x 12.00 x 6.00	14.25 x 10.25	13.00 x 11.00	B-C-D-E-F-G-H	C-D-E-F-G
	406 x 305 x 152	362 x 260	330 x 279		
A2016AT1PP	20.00 x 16.00 x 6.62	17.00 x 14.50	17.88 x 11.00	A-B-C-D-E-F-G-H-I	B-C-D-E-F-G-H
	508 x 406 x 168	432 x 368	454 x 279		
A2420AT1PP	24.00 x 20.00 x 6.62	21.00 x 18.50	21.88 x 15.00	A-B-C-D-E-F-G-H-I	A-B-C-D-E-F-G-H-I
	610 x 508 x 168	533 x 470	556 x 381		
A3624AT1PP	36.00 x 24.00 x 6.62	32.00 x 22.50	33.50 x 16.75	—	—
	914 x 610 x 168	813 x 572	851 x 425		
A3630AT1PP	36.00 x 30.00 x 6.62	32.00 x 31.50	33.50 x 22.75	—	—
	914 x 762 x 168	813 x 800	851 x 578		

# Hinged-Cover Type 1 Boxes, Enclosures and Accessories





## Hinged-Cover Type 1 Boxes, Enclosures and Accessories

### Locking Utility Cabinets, Type 1



#### Industry Standards

UL 50, 50E Listed; Type 1; File Number E27567  
cUL Listed per CSA C22.2 No 40; Type 1; File Number E27567

NEMA/EEMAC Type 1  
IEC 60529, IP30

#### Application

Key hook and shelf models of this cabinet protect fuses and other components and can be equipped with a combination lock for applications that require security.

**SHELF MODELS** A242412UC, A302412UC, A362412UC, A363012UC  
Shelf cabinets provide a level of security for storage of equipment, fuses, and other components. Two shelves included with shelf models are easily adjusted without tools by placing tabs in slots located on enclosure sides.

**KEY HOOK MODELS** A24244UC, A12122UC

Use as key cabinets or a hanging locker to organize items that require a level of security. Key hook models have integral hooks assembled in door and back of enclosure.

#### Features

- Four mounting keyholes in back of enclosure
- Removable door with reversible hinge; door can hinge from either left or right side and can be changed without tools
- Door has quarter-turn key lock; two keys included
- Combination lock is available as an accessory and is interchangeable with standard cutout and latch cam
- Retractable spring hinge
- No gasketing

#### Specifications

- 16 or 14 gauge steel

#### Finish

ANSI 61 gray polyester powder paint finish inside an out

#### Accessories

[s-2919]

[s-3428]

Bulletin: A1UC, DWS12

#### Standard Product

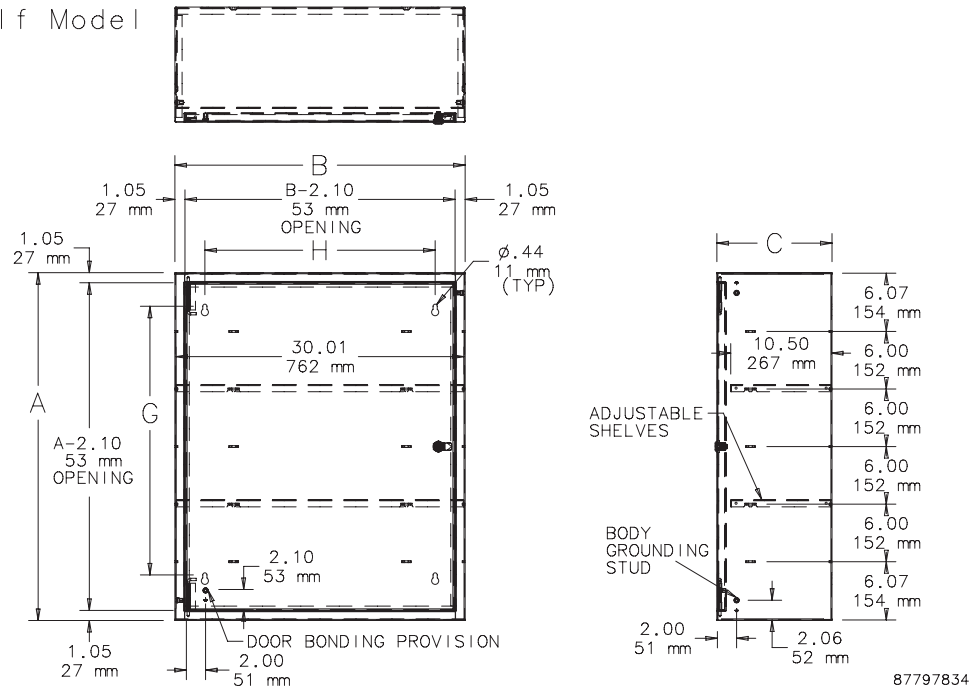
Catalog Number	AxBxC in./mm	Description	Mounting Holes G in./mm	Mounting Holes H in./mm	Maximum No. Shelf Locations/Hooks
A242412UC	24.00 x 24.00 x 12.00	Shelf Model	16.00	18.00	3 Shelves
	610 x 610 x 305		406	457	
A302412UC	30.00 x 24.00 x 12.00	Shelf Model	22.00	18.00	4 Shelves
	762 x 610 x 305		558	457	
A363012UC	36.00 x 30.00 x 12.00	Shelf Model	28.00	24.00	5 Shelves
	914 x 762 x 305		711	610	
A12122UC	12.00 x 12.00 x 2.00	Hook Model	7.00	7.25	52 Hooks
	305 x 305 x 51		178	184	

#### Accessories

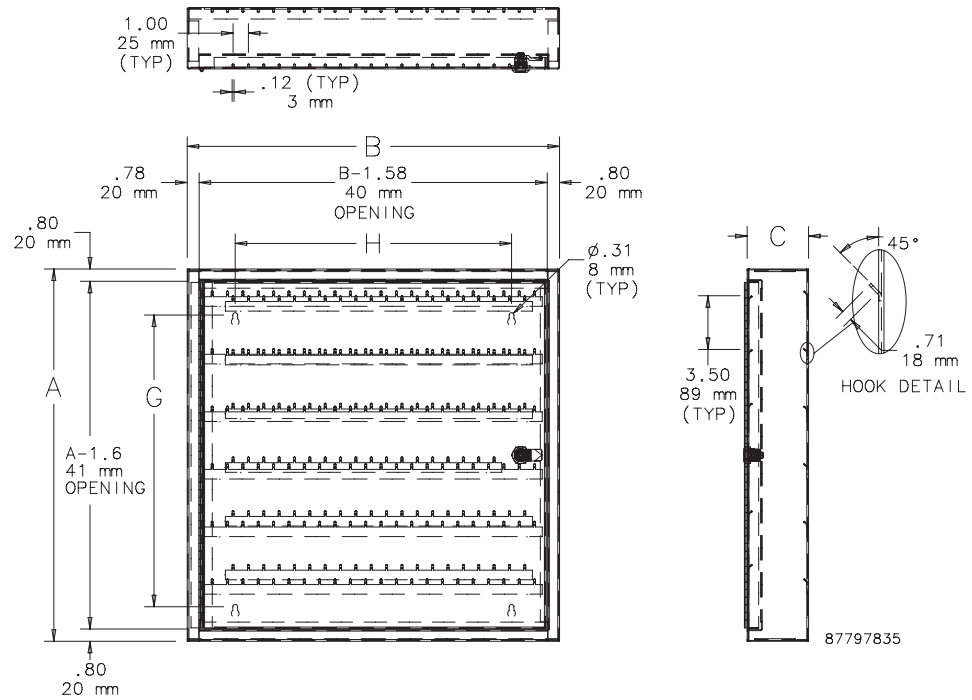
Catalog Number	AxBxC in./mm	Description
A30512UC	0.00	Shelf
PTLCMB3B	0.00	Combination Lock

# Hinged-Cover Type 1 Boxes, Enclosures and Accessories

Shelf Model



Key Cabinet

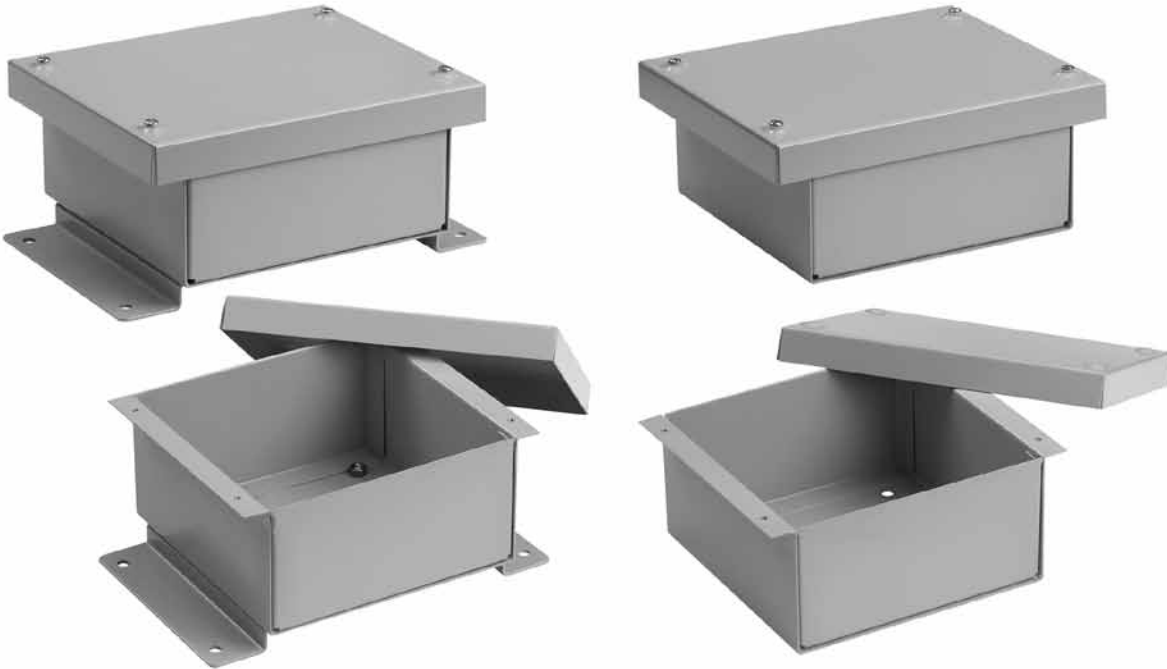




## Hinged-Cover Type 1 Boxes, Enclosures and Accessories

## Screw-Cover Type 3R Boxes and Enclosures

## Horizontal-Mount, Type 3R

**Industry Standards**

Maintains Type 3R rating when mounted horizontally. Maintains Type 1 rating when mounted vertically.

UL 50, 50E Listed; Type 3R; File No. E27525 cUL Listed per CSA C22.2 No 94; Type 3R; File No. E27525
---

NEMA/EEMAC Type 3R  
IEC 60529, IP32

**Application**

Use this enclosure as a wiring, junction or pull box for outside horizontal mounting applications such as rooftops or pads. Vertical structure for mounting is not required.

**Features**

- The screw cover is the drip shield providing 3/4-in. overhang on each side for outdoor protection
- No gasketing
- Screw locations on cover are embossed

- Enclosure body flange is formed outward
- Mounting holes on back for direct mounting through the back to strut or mounting surface; vertical structure for mounting not required
- Optional mounting brackets (included) provide a 1-in. clearance off surface for protection against pooling water

**Specifications**

- 16 or 12 gauge galvanized steel

**Finish**

ANSI 61 gray polyester powder paint finish inside and out over pretreated surfaces.

**Accessories**

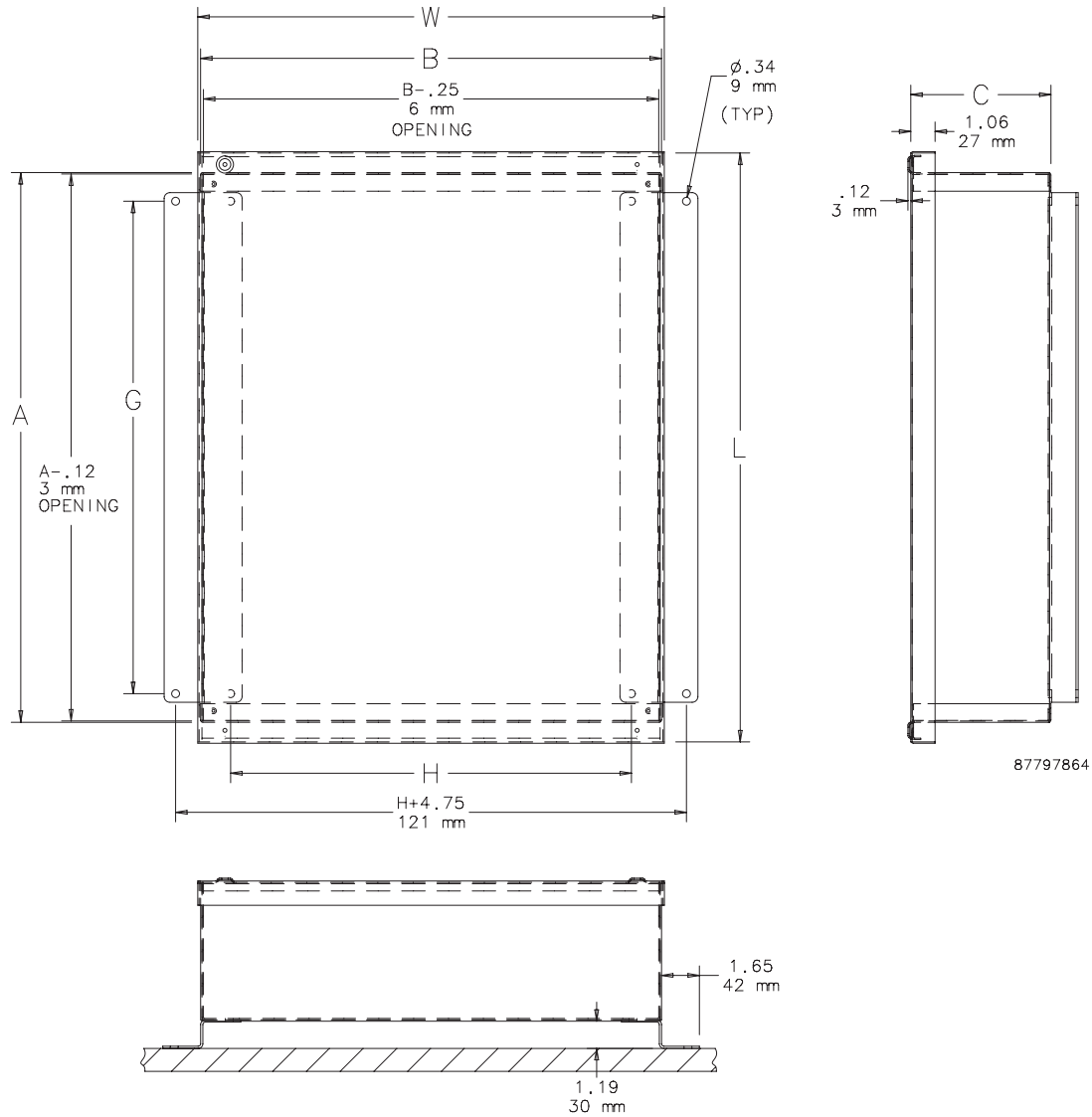
[s-3428]

Bulletin: A90RH

## Screw-Cover Type 3R Boxes and Enclosures

Standard Product

Catalog Number	AxBxC in./mm	G in./mm	H in./mm	L in./mm	W in./mm
<b>A8R84HM</b>	8.00 x 8.00 x 4.00 203 x 203 x 102	5.50 140	5.50 140	9.83 250	8.83 213
<b>A10R104HM</b>	10.00 x 10.00 x 4.00 254 x 254 x 102	5.50 140	7.50 191	11.83 300	10.38 264
<b>A12R126HM</b>	12.00 x 12.00 x 6.00 305 x 305 x 152	5.50 140	9.50 241	13.83 351	12.38 314
<b>A24R206HM</b>	24.00 x 20.00 x 6.00 610 x 508 x 152	21.50 546	17.50 445	25.83 656	20.38 518



87797864

## Screw-Cover Type 3R Boxes and Enclosures

### Screw-Cover, Type 3R



#### Industry Standards

UL 50, 50E Listed; Type 3R; File No. E27525  
 cUL Listed per CSA C22.2 No 94; Type 3R; File No. E27525

NEMA/EEMAC Type 3R  
 IEC 60529, IP32

#### Application

Use this enclosure with or without knockouts in outdoor applications as a wiring or junction box.

#### Features

- Drip shield top and seam-free sides, front and back
- Slip-on removable cover fastened with plated steel screws along bottom edge
- Handles on larger sizes (see table)
- Embossed mounting holes on back of enclosure
- Knockouts in bottom of 16 and 14 gauge enclosures
- Provision for padlocking
- No gasketing

#### Specifications

- 16, 14 or 12 gauge galvanized steel

#### Finish

ANSI 61 gray polyester powder paint finish inside and out over pretreated surfaces.

#### Accessories

- [s-3433]
- [s-3559]
- [s-3458]
- [s-3242]
- [s-3428]

Bulletin: A90S3

#### Standard Product

Catalog Number	AxBxC in./mm	Body Style	D in./mm	Mounting H in./mm	Mounting J in./mm	Knockout Pattern
A4R44	4.00 x 4.00 x 4.00	A	—	1.88	2.00	B-C
	102 x 102 x 102		—	48	51	
A6R44	6.00 x 4.00 x 4.00	A	—	1.88	1.06	B-C
	152 x 102 x 102		—	48	27	
A12R44	12.00 x 4.00 x 4.00	A	—	1.88	1.06	B-C
	305 x 102 x 102		—	48	27	
A6R64	6.00 x 6.00 x 4.00	A	—	2.25	1.06	B-C-D
	152 x 152 x 102		—	57	27	
A8R64	8.00 x 6.00 x 4.00	A	—	2.25	1.06	B-C-D
	203 x 152 x 102		—	57	27	
A8R84	8.00 x 8.00 x 4.00	A	—	2.25	1.06	F-G-H-I
	203 x 203 x 102		—	57	27	
A10R84	10.00 x 8.00 x 4.00	A	—	2.25	1.06	F-G-H-I
	254 x 203 x 102		—	57	27	
A12R84	12.00 x 8.00 x 4.00	A	—	2.25	1.06	F-G-H-I
	305 x 203 x 102		—	57	27	
A10R104	10.00 x 10.00 x 4.00	A	—	2.25	1.06	C-D-E-F-G
	254 x 254 x 102		—	57	27	
A12R104	12.00 x 10.00 x 4.00	A	—	2.25	1.06	C-D-E-F-G
	305 x 254 x 102		—	57	27	
A12R124	12.00 x 12.00 x 4.00	A	—	2.25	1.06	C-D-E-F-G
	305 x 305 x 102		—	57	27	
A18R124	18.00 x 12.00 x 4.00	A	—	2.25	1.06	C-D-E-F-G
	457 x 305 x 102		—	57	27	
A18R184	18.00 x 18.00 x 4.00	B	—	13.00	1.12	A-B-C-D-E-F-G-H-I
	457 x 457 x 102		—	330	28	
A6R66	6.00 x 6.00 x 6.00	A	—	2.25	1.06	B-C-D
	152 x 152 x 152		—	57	27	
A8R86	8.00 x 8.00 x 6.00	A	—	2.25	1.06	F-G-H-I
	203 x 203 x 152		—	57	27	
A10R86	10.00 x 8.00 x 6.00	A	—	2.25	1.06	F-G-H-I
	254 x 203 x 152		—	57	27	
A10R106	10.00 x 10.00 x 6.00	A	—	2.25	1.06	C-D-E-F-G
	254 x 254 x 152		—	57	27	
A12R86	12.00 x 8.00 x 6.00	A	—	2.25	1.06	F-G-H-I
	305 x 203 x 152		—	57	27	
A12R106	12.00 x 10.00 x 6.00	A	—	2.25	1.06	C-D-E-F-G
	305 x 254 x 152		—	57	27	
A12R126	12.00 x 12.00 x 6.00	A	—	2.25	1.06	C-D-E-F-G
	305 x 305 x 152		—	57	27	
A15R126	15.00 x 12.00 x 6.00	A	—	2.25	1.06	C-D-E-F-G
	381 x 305 x 152		—	57	27	

## Screw-Cover Type 3R Boxes and Enclosures

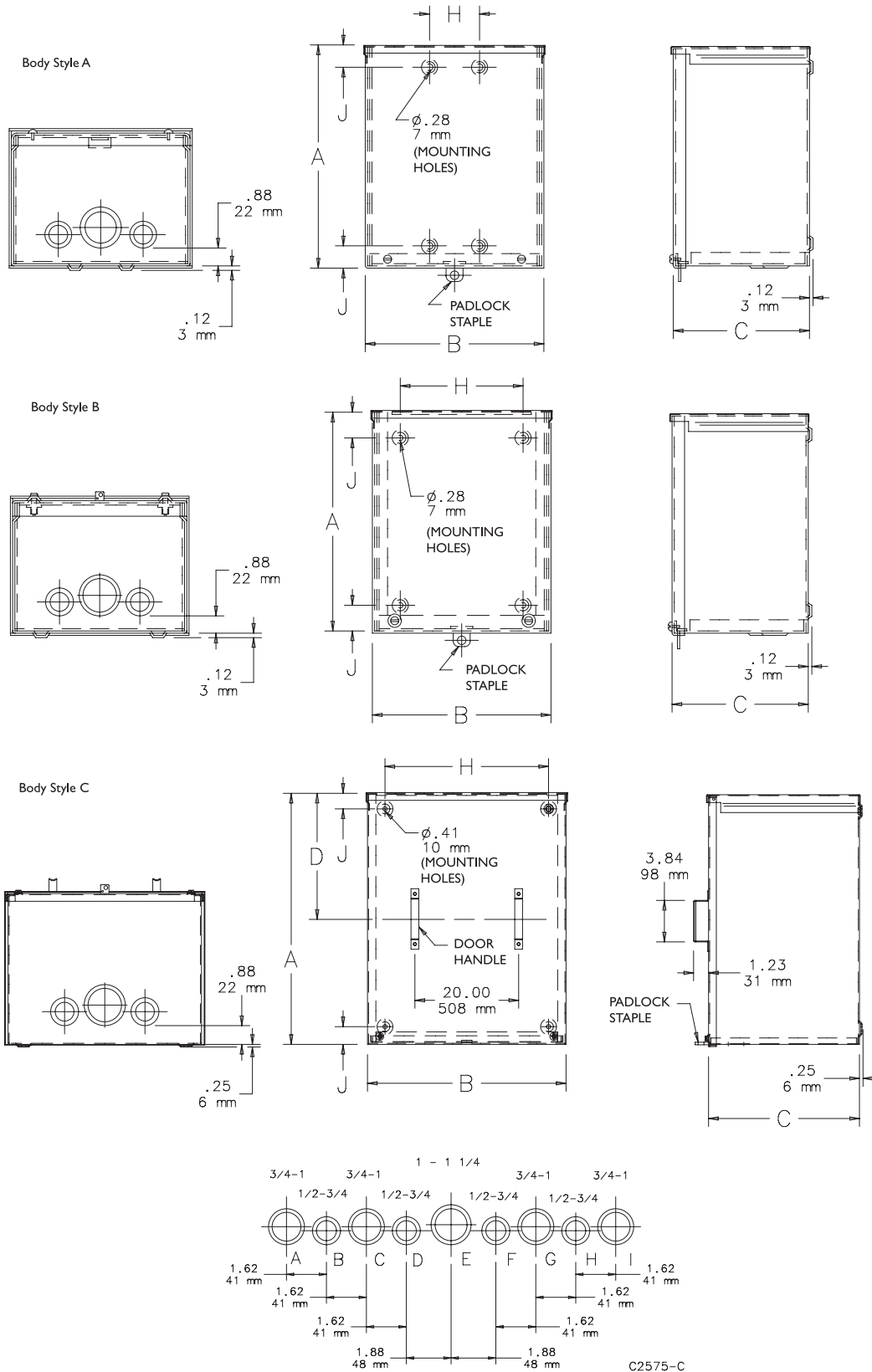
Catalog Number	AxBxC in./mm	Body Style	D in./mm	Mounting H in./mm	Mounting J in./mm	Knockout Pattern
A16R126	16.00 x 12.00 x 6.00	A	—	2.25	1.06	C-D-E-F-G
	406 x 305 x 152		—	57	27	
A18R126	18.00 x 12.00 x 6.00	A	—	2.25	1.06	C-D-E-F-G
	457 x 305 x 152		—	57	27	
A18R186	18.00 x 18.00 x 6.00	B	—	13.00	1.12	A-B-C-D-E-F-G-H-I
	457 x 457 x 152		—	330	28	
A24R126	24.00 x 12.00 x 6.00	B	—	13.00	1.12	C-D-E-F-G
	610 x 305 x 152		—	330	28	
A24R186	24.00 x 18.00 x 6.00	B	—	13.00	1.12	A-B-C-D-E-F-G-H-I
	610 x 457 x 152		—	330	28	
A24R246	24.00 x 24.00 x 6.00	B	—	13.00	1.12	A-B-C-D-E-F-G-H-I
	610 x 610 x 152		—	330	28	
A8R88	8.00 x 8.00 x 8.00	A	—	2.25	1.06	F-G-H-I
	203 x 203 x 203		—	57	27	
A12R128	12.00 x 12.00 x 8.00	A	—	2.25	1.06	C-D-E-F-G
	305 x 305 x 203		—	57	27	
A15R128	15.00 x 12.00 x 8.00	A	—	2.25	1.06	C-D-E-F-G
	381 x 305 x 203		—	57	27	
A18R128	18.00 x 12.00 x 8.00	A	—	2.25	1.12	C-D-E-F-G
	457 x 305 x 203		—	57	28	
A24R168	24.00 x 16.00 x 8.00	B	—	13.00	1.12	C-D-E-F-G
	610 x 407 x 203		—	330	28	
A18R188	18.00 x 18.00 x 8.00	B	—	13.00	1.12	A-B-C-D-E-F-G-H-I
	457 x 457 x 203		—	330	28	
A24R188	24.00 x 18.00 x 8.00	B	—	13.00	1.12	A-B-C-D-E-F-G-H-I
	610 x 457 x 203		—	330	28	
A24R208	24.00 x 20.00 x 8.00	B	—	13.00	1.12	A-B-C-D-E-F-G-H-I
	610 x 508 x 203		—	330	28	
A24R248	24.00 x 24.00 x 8.00	C	12.19	13.00	1.12	A-B-C-D-E-F-G-H-I
	610 x 610 x 203		310	330	28	
A30R248	30.00 x 24.00 x 8.00	C	15.19	13.00	1.12	A-B-C-D-E-F-G-H-I
	762 x 610 x 203		386	330	28	
A48R368	48.00 x 36.00 x 8.00	C	24.19	33.00	1.50	A-B-C-D-E-F-G-H-I
	1219 x 914 x 203		614	838	38	
A18R1810	18.00 x 18.00 x 10.00	B	—	13.00	1.12	A-B-C-D-E-F-G-H-I
	457 x 457 x 254		—	330	28	
A24R1810	24.00 x 18.00 x 10.00	B	—	13.00	1.12	A-B-C-D-E-F-G-H-I
	610 x 457 x 254		—	330	28	
A24R2410	24.00 x 24.00 x 10.00	C	12.19	13.00	1.12	A-B-C-D-E-F-G-H-I
	610 x 610 x 254		310	330	28	
A30R2410	30.00 x 24.00 x 10.00	C	15.19	13.00	1.50	A-B-C-D-E-F-G-H-I
	762 x 610 x 254		386	330	38	
A24R2412	24.00 x 24.00 x 12.00	C	12.19	13.00	1.12	A-B-C-D-E-F-G-H-I
	610 x 610 x 305		310	330	28	
A30R3012	30.00 x 30.00 x 12.00	C	15.19	27.00	1.50	A-B-C-D-E-F-G-H-I
	762 x 762 x 305		386	686	38	
A36R3012	36.00 x 30.00 x 12.00	C	18.19	27.00	1.50	A-B-C-D-E-F-G-H-I
	914 x 762 x 305		462	686	38	
A36R3612	36.00 x 36.00 x 12.00	C	18.19	33.00	1.50	A-B-C-D-E-F-G-H-I
	914 x 914 x 305		462	838	38	
A30R3016	30.00 x 30.00 x 16.00	C	15.19	27.00	1.50	A-B-C-D-E-F-G-H-I
	762 x 762 x 406		386	686	38	
A48R3616	48.00 x 36.00 x 16.00	C	24.19	33.00	1.50	A-B-C-D-E-F-G-H-I
	1219 x 914 x 406		614	838	38	
A4R44NK	4.00 x 4.00 x 4.00	A	—	1.88	2.00	—
	102 x 102 x 102		—	48	51	
A6R64NK	6.00 x 6.00 x 4.00	A	—	2.25	1.06	—
	152 x 152 x 102		—	57	27	
A8R64NK	8.00 x 6.00 x 4.00	A	—	2.25	1.06	—
	203 x 152 x 102		—	57	27	
A8R84NK	8.00 x 8.00 x 4.00	A	—	2.25	1.06	—
	203 x 203 x 102		—	57	27	
A10R84NK	10.00 x 8.00 x 4.00	A	—	2.25	1.06	—
	254 x 203 x 102		—	57	27	
A12R84NK	12.00 x 8.00 x 4.00	A	—	2.25	1.06	—
	305 x 203 x 102		—	57	27	
A10R104NK	10.00 x 10.00 x 4.00	A	—	2.25	1.06	—
	254 x 254 x 102		—	57	27	
A12R104NK	12.00 x 10.00 x 4.00	A	—	2.25	1.06	—
	305 x 254 x 102		—	57	27	
A12R124NK	12.00 x 12.00 x 4.00	A	—	2.25	1.06	—
	305 x 305 x 102		—	57	27	
A18R184NK	18.00 x 18.00 x 4.00	B	—	13.00	1.12	—
	457 x 457 x 102		—	330	28	
A6R66NK	6.00 x 6.00 x 6.00	A	—	2.25	1.06	—
	152 x 152 x 152		—	57	27	

## Screw-Cover Type 3R Boxes and Enclosures

Catalog Number	AxBxC in./mm	Body Style	D in./mm	Mounting H in./mm	Mounting J in./mm	Knockout Pattern
A18R66NK	18.00 x 6.00 x 6.00	A	—	2.25	1.06	—
	457 x 152 x 152			57	27	
A8R86NK	8.00 x 8.00 x 6.00	A	—	2.25	1.06	—
	203 x 203 x 152			57	27	
A10R86NK	10.00 x 8.00 x 6.00	A	—	2.25	1.06	—
	254 x 203 x 152			57	27	
A10R106NK	10.00 x 10.00 x 6.00	A	—	2.25	1.06	—
	254 x 254 x 152			57	27	
A12R106NK	12.00 x 10.00 x 6.00	A	—	2.25	1.06	—
	305 x 254 x 152			57	27	
A12R126NK	12.00 x 12.00 x 6.00	A	—	2.25	1.06	—
	305 x 305 x 152			57	27	
A15R126NK	15.00 x 12.00 x 6.00	A	—	2.25	1.06	—
	381 x 305 x 152			57	27	
A16R126NK	16.00 x 12.00 x 6.00	A	—	2.25	1.06	—
	406 x 305 x 152			57	27	
A18R126NK	18.00 x 12.00 x 6.00	A	—	2.25	1.06	—
	457 x 305 x 152			57	27	
A18R186NK	18.00 x 18.00 x 6.00	B	—	13.00	1.12	—
	457 x 457 x 152			330	28	
A24R186NK	24.00 x 18.00 x 6.00	B	—	13.00	1.12	—
	610 x 457 x 152			330	28	
A24R246NK	24.00 x 24.00 x 6.00	B	—	13.00	1.12	—
	610 x 610 x 152			330	28	
A8R88NK	8.00 x 8.00 x 8.00	A	—	2.25	1.06	—
	203 x 203 x 203			1.06	27	
A24R88NK	24.00 x 8.00 x 8.00	A	—	2.25	1.06	—
	610 x 203 x 203			1.06	27	
A12R128NK	12.00 x 12.00 x 8.00	A	—	2.25	1.06	—
	305 x 305 x 203			57	27	
A15R128NK	15.00 x 12.00 x 8.00	A	—	2.25	1.06	—
	381 x 305 x 203			57	27	
A18R128NK	18.00 x 12.00 x 8.00	A	—	2.25	1.12	—
	457 x 305 x 203			57	28	
A18R188NK	18.00 x 18.00 x 8.00	B	—	13.00	1.12	—
	457 x 457 x 203			330	28	
A24R188NK	24.00 x 18.00 x 8.00	B	—	13.00	1.12	—
	610 x 457 x 203			330	28	
A24R208NK	24.00 x 20.00 x 8.00	B	—	13.00	1.12	—
	610 x 508 x 203			330	28	
A24R248NK	24.00 x 24.00 x 8.00	C	12.19	13.00	1.12	—
	610 x 610 x 203		310	330	28	
A30R248NK	30.00 x 24.00 x 8.00	C	15.19	13.00	1.12	—
	762 x 610 x 203		386	330	28	
A48R368NK	48.00 x 36.00 x 8.00	C	24.19	33.00	1.50	—
	1220 x 915 x 203		614	838	38	
A24R2410NK	24.00 x 24.00 x 10.00	C	12.19	13.00	1.12	—
	610 x 610 x 254		310	330	28	
A24R2412NK	24.00 x 24.00 x 12.00	C	12.19	13.00	1.12	—
	610 x 610 x 305		310	330	28	
A30R3012NK	30.00 x 30.00 x 12.00	C	15.19	27.00	1.50	—
	762 x 762 x 305		386	686	38	
A36R3012NK	36.00 x 30.00 x 12.00	C	18.19	27.00	1.50	—
	914 x 762 x 305		462	686	38	
A36R3612NK	36.00 x 36.00 x 12.00	C	18.19	33.00	1.50	—
	914 x 914 x 305		462	838	38	
A30R3016NK	30.00 x 30.00 x 16.00	C	15.19	27.00	1.50	—
	762 x 762 x 406		386	686	38	
A48R3616NK	48.00 x 36.00 x 16.00	C	24.19	33.00	1.50	—
	1219 x 915 x 406		614	838	38	



Screw-Cover Type 3R Boxes and Enclosures



## Screw-Cover Type 3R Boxes and Enclosures

## Screw-Cover Gasketed, Type 3



## Industry Standards

UL 508A Listed; Type 3, 12; File No. E61997 cUL Listed per CSA C22.2 No 94; Type 3, 12; File No. E61997
--

NEMA/EEMAC Type 3 and 12 (except for mounting provisions)  
 CSA, File 42184: Type 4 and 12  
 IEC 60529, IP66

## Application

Use this enclosure as a wiring, junction, pull or terminal box in applications subject to windblown dust and/or rain.

## Features

- Captivated stainless steel cover screws thread into sealed wells
- Oil-resistant gasket and adhesive
- Seams continuously welded and ground smooth
- No holes or knockouts
- Grounding stud on inside back of box

## Specifications

- 14 or 12 gauge G-90 grade galvanized steel bodies
- 12 or 10 gauge G-90 grade galvanized steel covers

## Finish

Cover has galvanized finish. Body finish is ANSI 61 gray polyester powder inside and out over plated steel.

## Accessories

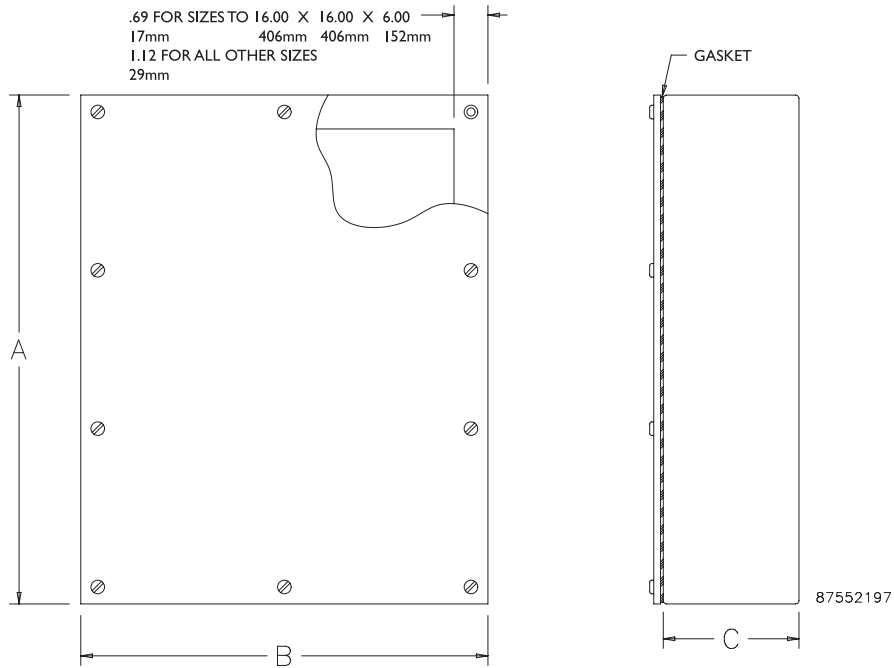
[s-3433]  
 [s-3559]  
 [s-3458]  
 [s-3242]

Bulletin: A90GS

## Screw-Cover Type 3R Boxes and Enclosures

### Standard Product

Catalog Number	AxBxC in.	AxBxC mm	Body Gauge	Cover Gauge	Number of Cover Screws
A664GSC	6.00 x 6.00 x 4.00	152 x 152 x 102	14	12	4
A864GSC	8.00 x 6.00 x 4.00	203 x 152 x 102	14	12	4
A884GSC	8.00 x 8.00 x 4.00	203 x 203 x 102	14	12	4
A1084GSC	10.00 x 8.00 x 4.00	254 x 203 x 102	14	12	6
A10104GSC	10.00 x 10.00 x 4.00	254 x 254 x 102	14	12	8
A12124GSC	12.00 x 12.00 x 4.00	305 x 305 x 102	14	12	8
A666GSC	6.00 x 6.00 x 6.00	152 x 152 x 152	14	12	4
A886GSC	8.00 x 8.00 x 6.00	203 x 203 x 152	14	12	4
A10106GSC	10.00 x 10.00 x 6.00	254 x 254 x 152	14	12	8
A12106GSC	12.00 x 10.00 x 6.00	305 x 254 x 152	14	12	8
A12126GSC	12.00 x 12.00 x 6.00	305 x 305 x 152	14	12	8
A16126GSC	16.00 x 12.00 x 6.00	406 x 305 x 152	14	12	8
A16166GSC	16.00 x 16.00 x 6.00	406 x 406 x 152	14	10	8
A18186GSC	18.00 x 18.00 x 6.00	457 x 457 x 152	14	10	8
A20166GSC	20.00 x 16.00 x 6.00	508 x 406 x 152	14	10	8
A24246GSC	24.00 x 24.00 x 6.00	610 x 610 x 152	14	10	12
A888GSC	8.00 x 8.00 x 8.00	203 x 203 x 203	14	12	4
A10108GSC	10.00 x 10.00 x 8.00	254 x 254 x 203	14	12	8
A12128GSC	12.00 x 12.00 x 8.00	305 x 305 x 203	14	12	8
A16168GSC	16.00 x 16.00 x 8.00	406 x 406 x 203	14	10	8
A20208GSC	20.00 x 20.00 x 8.00	508 x 508 x 203	14	10	8
A24208GSC	24.00 x 20.00 x 8.00	610 x 508 x 203	14	10	10
A24248GSC	24.00 x 24.00 x 8.00	610 x 610 x 203	14	10	12
A30248GSC	30.00 x 24.00 x 8.00	762 x 610 x 203	14	10	12
A242410GSC	24.00 x 24.00 x 10.00	610 x 610 x 254	14	10	12
A121212GSC	12.00 x 12.00 x 12.00	305 x 305 x 305	14	12	8
A161612GSC	16.00 x 16.00 x 12.00	406 x 406 x 305	14	10	8
A202012GSC	20.00 x 20.00 x 12.00	508 x 508 x 305	14	10	8
A242412GSC	24.00 x 24.00 x 12.00	610 x 610 x 305	14	10	12
A303012GSC	30.00 x 30.00 x 12.00	762 x 762 x 305	12	10	12
A363612GSC	36.00 x 36.00 x 12.00	914 x 914 x 305	12	10	16



## Screw-Cover Type 3R Boxes and Enclosures

### Screw-Cover Galvanized, Type 3R



#### Industry Standards

UL50, 50E Listed; Type 3R; File No. E27525  
 cUL Listed per CSA C22.2 No 94; Type 3R; File No. E27525

NEMA/EEMAC Type 3R  
 IEC 60529, IP32

#### Application

Use this enclosure as a wiring or junction box to protect controls in outdoor applications requiring galvanized steel.

#### Features

- Drip-shield top and seam-free sides, front and back
- Slip-on removable cover fastened with plated steel screws along bottom edge
- Door handles on larger sides (body style C; see table)
- Embossed mounting holes on back of enclosure
- See table for knockout pattern
- Provision for padlocking
- No gasketing

#### Specifications

- 16 or 14 gauge galvanized steel

#### Finish

Unpainted galvanized steel

#### Accessories

[s-3433]

[s-3559]

[s-3458]

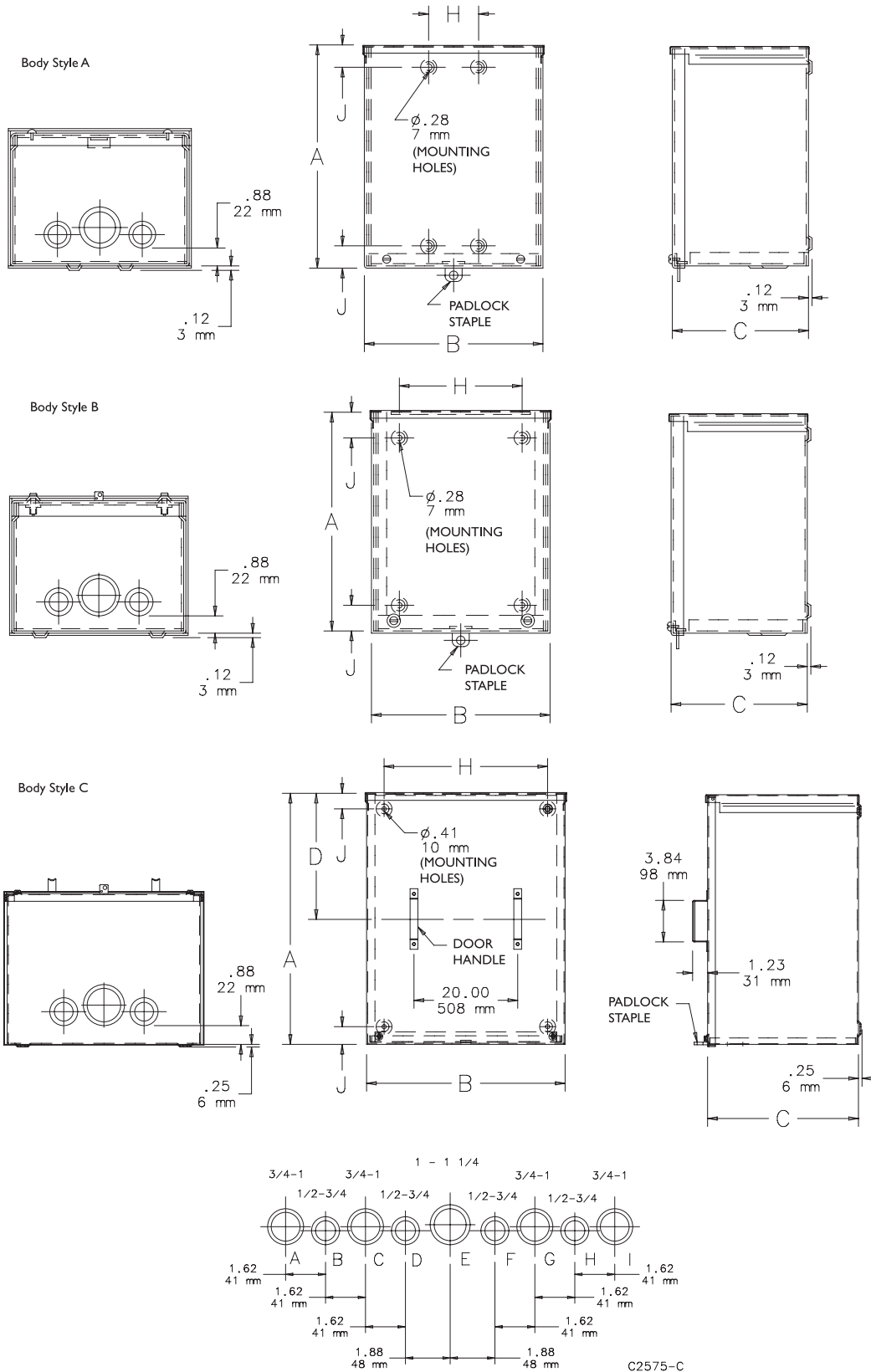
[s-3242]

Bulletin: A90G3

#### Standard Product

Catalog Number	AxBxC in./mm	Body Style	D in./mm	Mounting H in./mm	Mounting J in./mm	Knockout Pattern
A4R44GV	4.00 x 4.00 x 4.00 102 x 102 x 120	A	—	1.88 48	2.00 51	B-C
A6R64GV	6.00 x 6.00 x 4.00 152 x 152 x 102	A	—	1.8 48	1.06 27	B-C-D
A8R84GV	8.00 x 8.00 x 4.00 203 x 203 x 102	A	—	2.25 57	1.06 27	B-C-D
A10R104GV	10.00 x 10.00 x 4.00 254 x 254 x 102	A	—	2.25 57	1.06 27	C-D-E-F-G
A12R124GV	12.00 x 12.00 x 4.00 305 x 305 x 102	A	—	2.25 57	1.06 27	C-D-E-F-G
A6R66GV	6.00 x 6.00 x 6.00 152 x 152 x 152	A	—	2.25 57	1.06 27	B-C-D
A8R86GV	8.00 x 8.00 x 6.00 203 x 203 x 152	A	—	2.25 57	1.06 27	F-G-H-I
A10R106GV	10.00 x 10.00 x 6.00 254 x 254 x 152	A	—	2.25 27	1.06 27	C-D-E-F-G
A12R126GV	12.00 x 12.00 x 6.00 305 x 305 x 152	A	—	2.25 27	1.06 27	C-D-E-F-G
A18R186GV	18.00 x 18.00 x 6.00 457 x 457 x 152	B	—	13.00 330	1.12 28	A-B-C-D-E-F-G-H-I
A8R88GV	8.00 x 8.00 x 8.00 203 x 203 x 203	A	—	2.25 57	1.06 27	F-G-H-I
A8R88GVNKNK	8.00 x 8.00 x 8.00 203 x 203 x 203	A	—	2.25 57	1.06 27	—
A10R108GVNKNK	10.00 x 10.00 x 8.00 254 x 254 x 203	A	—	2.25 57	1.06 27	—
A12R128GV	12.00 x 12.00 x 8.00 305 x 305 x 203	A	—	2.25 57	1.06 27	C-D-E-F-G
A24R248GV	24.00 x 24.00 x 8.00 610 x 610 x 203	C	12.19 310	13.00 330	1.12 28	A-B-C-D-E-F-G-H-I
A24R2410GV	24.00 x 24.00 x 10.00 610 x 610 x 254	C	12.19 310	13.00 330	1.12 28	A-B-C-D-E-F-G-H-I

Screw-Cover Type 3R Boxes and Enclosures



## Hinge-Cover Type 3R Enclosures

### Hinge-Cover, Small, Type 3R



#### Application

These enclosures have a size range of 6 x 4 x 4-in. to 12 x 12 x 10-in. and meet basic functionality requirements for applications that require protection from rain, sleet, snow or dripping water.

#### Features

- Drip-shield top and seam-free sides, front and back
- Plated steel hinge has stainless steel pin
- Weldnuts provided for mounting optional panels
- Provisions for padlocking on zinc-plated draw-pull catch
- Knockouts on bottom of enclosure
- No gasketing

#### Specifications

- 16 gauge galvanized steel

#### Finish

ANSI 61 gray polyester powder paint finish inside and out over galvanized steel. Optional solid panels are white and optional perforated panels are gray.

#### Accessories

[s-3433]

[s-3458]

[s-3436]

[s-3428]

**Bulletin: A3SM**

#### Industry Standards

UL 50, 50E Listed; Type 3R; File No. E27567  
cUL Listed per CSA C22.2 No 94; Type 3R File No. E27567

NEMA/EEMAC Type 3R  
IEC 60529, IP32

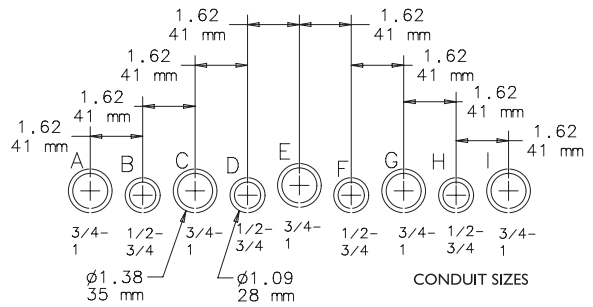
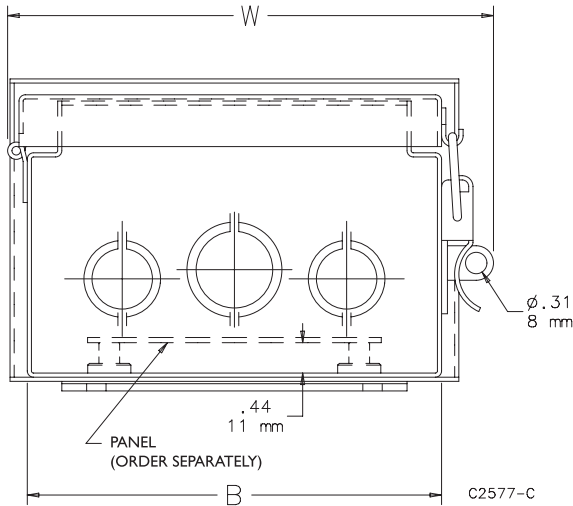
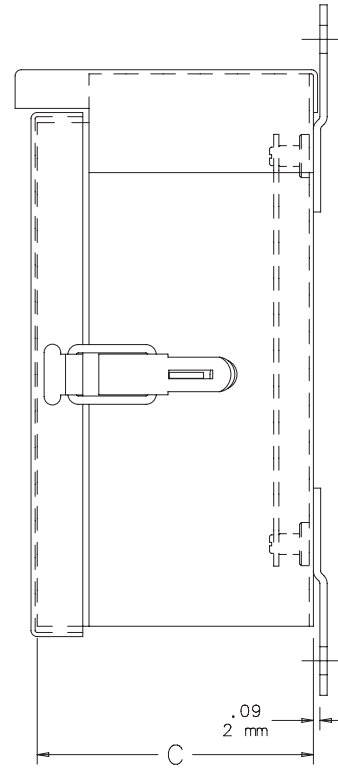
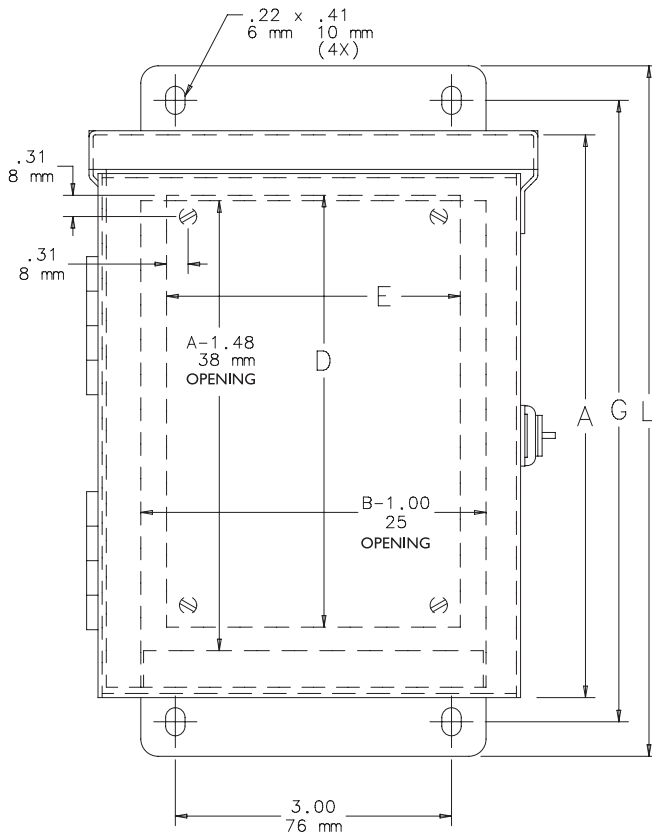
#### Standard Product

Catalog Number	AxBxC in./mm	Panel	Perforated Panel	Panel Size D x E in./mm	Mounting G in./mm	Overall L x W in./mm	Knockout Pattern
<b>A6R44HCR</b>	6.00 x 4.00 x 4.00 152 x 102 x 102	A6N4P	A6N4PP	4.25 x 2.25 108 x 57	7.00 178	8.00 x 4.81 203 x 122	B-C-D
<b>A6R64HCR</b>	6.00 x 6.00 x 4.00 152 x 152 x 102	A6N6P	A6N6PP	4.25 x 4.25 108 x 108	7.00 178	8.00 x 6.81 203 x 173	B-C-D
<b>A8R64HCR</b>	8.00 x 6.00 x 4.00 203 x 152 x 102	A8N6P	A8N6PP	6.25 x 4.25 159 x 108	9.00 229	10.00 x 6.81 254 x 173	B-C-D
<b>A8R86HCR</b>	8.00 x 8.00 x 6.00 203 x 203 x 152	A8N8P	A8N8PP	6.25 x 6.25 159 x 159	9.00 229	10.00 x 8.81 254 x 224	F-G-H-I
<b>A10R86HCR</b>	10.00 x 8.00 x 6.00 254 x 203 x 152	A10N8P	A10N8PP	8.25 x 6.25 210 x 159	11.0 279	12.00 x 8.81 305 x 224	F-G-H-I
<b>A12R106HCR</b>	12.00 x 10.00 x 6.00 305 x 254 x 152	A12N10P	A12N10PP	10.25 x 8.25 260 x 210	13.0 330	14.00 x 10.81 356 x 275	C-D-E-F-G
<b>A12R126HCR</b>	12.00 x 12.00 x 6.00 305 x 305 x 152	A12N12P	A12N12PP	10.25 x 10.25 260 x 260	13.0 330	14.00 x 12.81 356 x 325	C-D-E-F-G
<b>A12R1210HCR</b>	12.00 x 12.00 x 10.00 305 x 305 x 254	A12N12P	A12N12PP	10.25 x 10.25 260 x 260	13.00 330	14.00 x 12.81 356 x 325	C-D-E-F-G

Purchase panels separately.

Purchase perforated panels separately.

**Hinge-Cover Type 3R Enclosures**



**Knockout Pattern**  
(from outside of box)

NOTE: Refer to table for applicable knockout pattern.

## Hinge-Cover Type 3R Enclosures

### Hinge-Cover, Medium, Type 3R



#### Industry Standards

UL 50, 50E Listed; Type 3R; File No. E27567  
cUL Listed per CSA C22.2 No 94; Type 3R File No. E27567

NEMA/EEMAC Type 3R  
IEC 60529, IP32

#### Application

These enclosures have a size range of 16 x 12 x 6-in. to 48 x 36 x 16-in. and meet basic functionality requirements for applications that require protection from rain, sleet, snow or dripping water.

#### Features

- Drip shield top and seam-free sides, front, and back protect from rain, snow, or sleet
- 16 gauge plated steel continuous hinge has stainless steel pin
- Cover fastened securely with captive plated steel screws
- Collar studs provided for mounting optional panels
- Hasp and staple provided for padlocking
- No gasketing or knockouts

#### Specifications

- 16 or 14 gauge galvanized steel

#### Finish

ANSI 61 gray polyester powder paint finish inside and out over galvanized steel. Optional solid panels are white.

#### Accessories

- [s-3433]
- [s-3559]
- [s-3458]
- [s-3445]
- [s-3440]
- [s-3507]
- [s-106445]
- [s-3428]
- [s-3385]

Bulletin: A3M

#### Standard Product

Catalog Number	AxBxC in.	AxBxC mm	Panel	Perforated Panel	Panel Size D x E (in.)	Panel Size D x E (mm)	Mounting G x H (in.)	Mounting G x H (mm)	Overall L (in.)	Overall L (mm)
A16R126HCR	16.00 x 12.00 x 6.00	406 x 305 x 152	A16P12	A16P12PP	13.00 x 9.00	330 x 229	17.00 x 3.00	432 x 76	18.00	457
A16R166HCR	16.00 x 16.00 x 6.00	406 x 406 x 152	A16P16	A16P16PP	13.00 x 13.00	330 x 330	17.00 x 13.00	432 x 330	18.00	457
A18R186HCR	18.00 x 18.00 x 6.00	457 x 457 x 152	A18P18	A18P18PP	15.00 x 15.00	381 x 381	19.00 x 13.00	483 x 330	20.00	508
A20R166HCR	20.00 x 16.00 x 6.00	508 x 406 x 152	A20P16	A20P16PP	17.00 x 13.00	432 x 330	21.00 x 13.00	533 x 330	22.00	559
A20R208HCR	20.00 x 20.00 x 8.00	508 x 508 x 203	A20P20	A20P20PP	17.00 x 17.00	432 x 432	21.00 x 13.00	533 x 330	22.00	559
A24R208HCR	24.00 x 20.00 x 8.00	610 x 508 x 203	A24P20	A24P20PP	21.00 x 17.00	533 x 432	25.00 x 13.00	635 x 330	26.00	660
A24R248HCR	24.00 x 24.00 x 8.00	610 x 610 x 203	A24P24	A24P24PP	21.00 x 21.00	533 x 533	25.00 x 13.00	635 x 330	26.00	660
A30R248HCR	30.00 x 24.00 x 8.00	762 x 610 x 203	A30P24	A30P24PP	27.00 x 21.00	686 x 533	31.00 x 13.00	787 x 330	32.00	813
A18R1810HCR	18.00 x 18.00 x 10.00	457 x 457 x 254	A18P18	A18P18PP	15.00 x 15.00	381 x 381	19.00 x 13.00	483 x 330	20.00	508
A30R308HCR	30.00 x 30.00 x 8.00	762 x 762 x 203	A30P30	A30P30PP	27.00 x 27.00	686 x 686	31.00 x 27.00	787 x 686	32.00	813
A24R2410HCR	24.00 x 24.00 x 10.00	610 x 610 x 254	A24P24	A24P24PP	21.00 x 21.00	533 x 533	25.00 x 13.00	635 x 330	26.00	660
A30R2410HCR	30.00 x 24.00 x 10.00	762 x 610 x 254	A30P24	A30P24PP	27.00 x 21.00	686 x 533	31.00 x 13.00	787 x 330	32.00	813
A36R3610HCR	36.00 x 36.00 x 10.00	914 x 914 x 254	A36P36	A36P36PP	33.00 x 33.00	838 x 838	37.00 x 30.00	940 x 762	38.00	965
A30R3012HCR	30.00 x 30.00 x 12.00	762 x 762 x 305	A30P30	A30P30PP	27.00 x 27.00	686 x 686	31.00 x 27.00	787 x 686	32.00	813
A36R2412HCR	36.00 x 24.00 x 12.00	914 x 610 x 305	A36P24	A36P24PP	33.00 x 21.00	838 x 533	37.00 x 13.00	940 x 330	38.00	965
A36R3012HCR	36.00 x 30.00 x 12.00	914 x 914 x 305	A36P30	A36P30PP	33.00 x 27.00	838 x 686	37.00 x 27.00	940 x 686	38.00	965
A42R3012HCR	42.00 x 30.00 x 12.00	1067 x 914 x 305	A42P30	—	39.00 x 27.00	991 x 686	43.00 x 27.00	1092 x 686	44.00	1118
A36R3612HCR	36.00 x 36.00 x 12.00	914 x 914 x 305	A36P36	A36P36PP	33.00 x 33.00	838 x 838	37.00 x 27.00	940 x 686	38.00	965
A42R3612HCR	42.00 x 36.00 x 12.00	1067 x 914 x 305	A42P36	—	39.00 x 33.00	991 x 838	43.00 x 27.00	1092 x 686	44.00	1118
A48R3612HCR	48.00 x 36.00 x 12.00	1219 x 914 x 305	A48P36	—	45.00 x 33.00	1143 x 838	49.00 x 27.00	1245 x 686	50.00	1270
A60R3612HCR	60.00 x 36.00 x 12.00	1524 x 914 x 305	A60P36	—	57.00 x 33.00	1448 x 838	61.00 x 27.00	1549 x 686	62.00	1575
A30R3016HCR	30.00 x 30.00 x 16.00	762 x 762 x 406	A30P30	A30P30PP	27.00 x 27.00	686 x 686	31.00 x 27.00	787 x 686	32.00	813
A48R3616HCR	48.00 x 36.00 x 16.00	1219 x 914 x 406	A48P36	—	45.00 x 33.00	1143 x 838	49.00 x 27.00	1245 x 686	50.00	1270

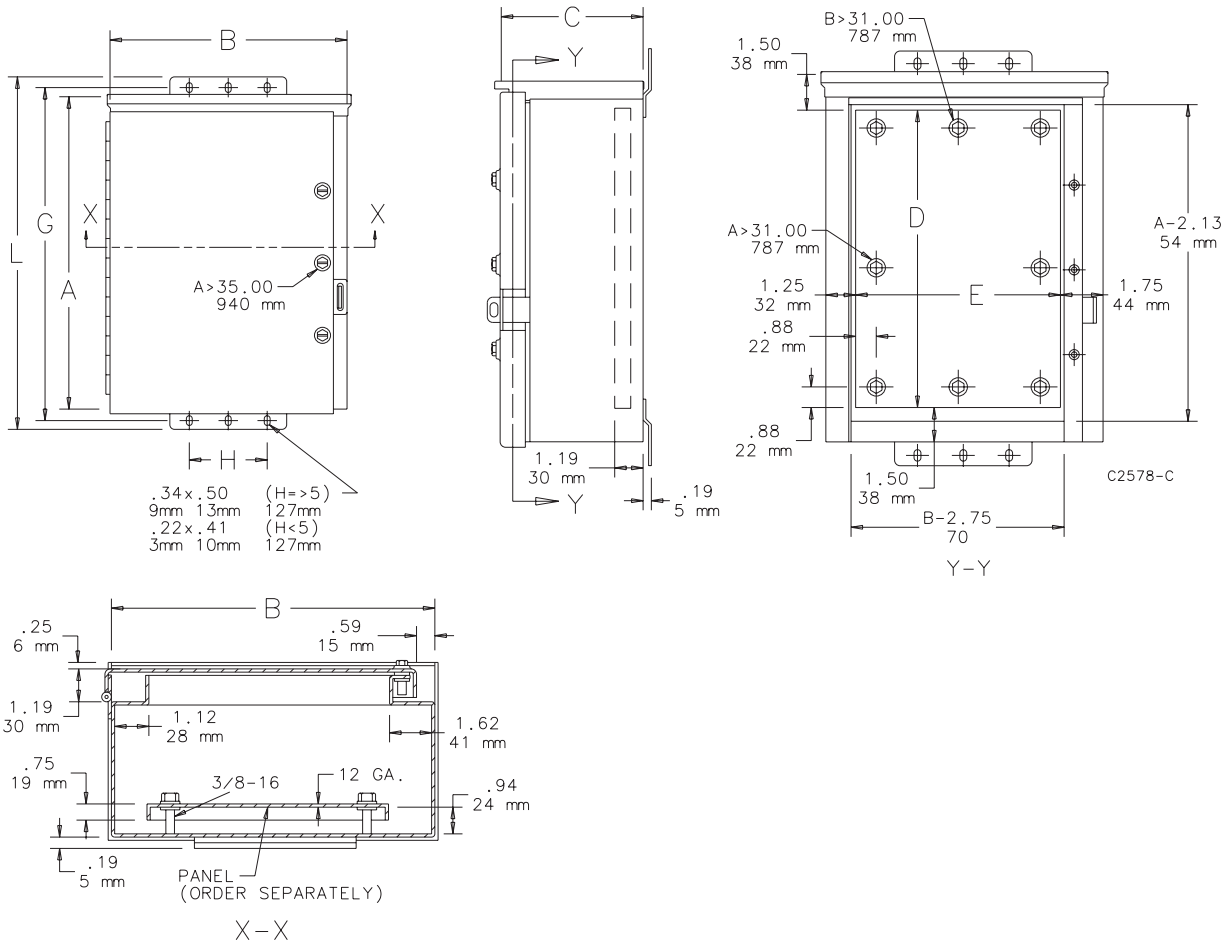
Purchase panels separately. Optional aluminum panels are available for most sizes.

Purchase perforated panels separately.

Flanged on all four sides.



### Hinge-Cover Type 3R Enclosures



## Hinge-Cover Lift-Off Type 3R Enclosures and Accessories

### Hinge-Cover Lift-Off, Type 3R



#### Application

Featuring a removable cover for easy mounting and access, these enclosures protect components in applications subject to rain, sleet, snow or dripping water.

#### Features

- Drip-shield top and seam-free sides, front and back
- Galvanized steel lift-off hinges with stainless steel pins
- Provisions for padlocking on each draw pull catch
- Embossed mounting holes on back of enclosure
- Gasketing along top of door
- No knockouts

#### Specifications

- 16 or 14 gauge galvanized steel
- 16 gauge cover fastened securely with draw pull catch

#### Finish

ANSI 61 gray polyester powder paint finish inside and out over galvanized steel. Optional panels are white.

#### Accessories

- [s-3433]
- [s-3559]
- [s-3458]
- [s-3242]
- [s-3241]
- [s-3445]
- [s-3440]
- [s-3450]
- [s-106445]
- [s-3428]
- [s-3385]

Bulletin: A3LO

#### Industry Standards

UL 50, 50E Listed; Type 3R; File No. E27567  
 cUL Listed per CSA C22.2 No 94; Type 3R File No. E27567

NEMA/EEMAC Type 3R  
 CSA, File 42184: Type 3R  
 IEC 60529, IP32

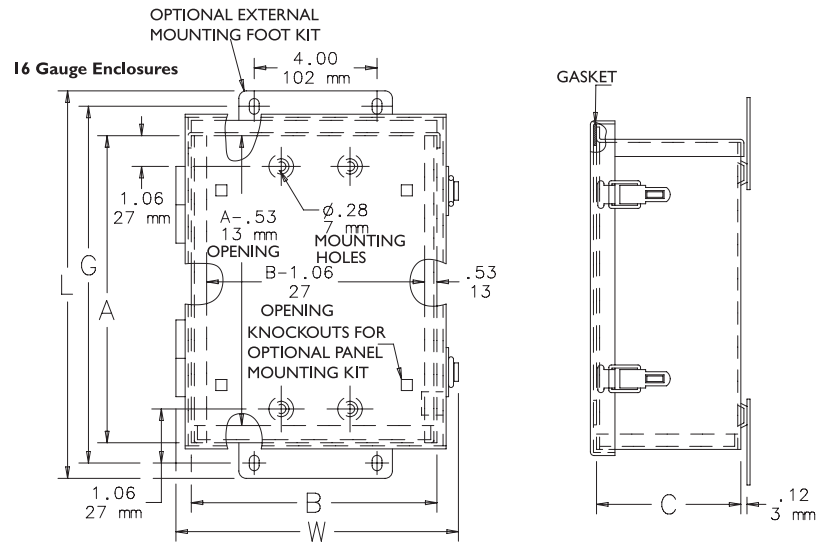
#### Standard Product

Catalog Number	Ax B x C in./mm	Body		Panel Size D x E in./mm	Mounting G in./mm	Overall L x W in./mm	Panel Mounting Kit <sup>b</sup>	Mounting Bracket Kit <sup>b</sup>	Bracket Gauge	Overall Width of Bracket in./mm	Hole Spacing For Bracket in./mm
		Guage	Panel <sup>a</sup>								
A8R64HCL0	8.00 x 6.00 x 4.00	16	A6P6	4.88 x 4.88	9.12	10.12 x 7.25	APMK3RLO16	AMFK3RLO16	14	5.00	4.00
	203 x 152 x 102			124 x 124	232	257 x 184				127	102
A8R86HCL0	8.00 x 8.00 x 6.00	16	A8P6	6.75 x 4.88	9.12	10.12 x 9.25	APMK3RLO16	AMFK3RLO16	14	5.00	4.00
	203 x 203 x 152			171 x 124	232	257 x 235				127	102
A10R86HCL0	10.00 x 8.00 x 6.00	16	A8P8	6.75 x 6.88	11.12	12.12 x 9.25	APMK3RLO16	APMK3RLO16	14	5.00	4.00
	254 x 203 x 152			171 x 175	282	308 x 235				127	102
A12R106HCL0	12.00 x 10.00 x 6.00	16	A10P10	8.75 x 8.88	13.12	14.12 x 11.25	APMK3RLO16	AMFK3RLO16	14	5.00	4.00
	305 x 254 x 152			222 x 226	333	359 x 286				127	102
A12R126HCL0	12.00 x 12.00 x 6.00	16	A12P10	10.75 x 8.88	13.12	14.12 x 13.25	APMK3RLO16	AMFK3RLO16	14	5.00	4.00
	305 x 305 x 152			273 x 226	333	359 x 337				127	102
A16R126HCL0	16.00 x 12.00 x 6.00	16	A14P12	12.75 x 10.88	17.12	18.12 x 13.25	APMK3RLO16	AMFK3RLO16	14	5.00	4.00
	406 x 305 x 152			324 x 276	435	460 x 337				127	102
A16R166HCL0	16.00 x 16.00 x 6.00	16	A16P16	13.00 x 13.00	17.31	18.31 x 17.25	APMK3RLO14	AMFK3RLO14	12	14.00	13.00
	406 x 406 x 152			330 x 330	440	465 x 438				356	330
A20R166HCL0	20.00 x 16.00 x 6.00	16	A20P16	17.00 x 13.00	21.31	22.31 x 17.25	APMK3RLO14	AMFK3RLO14	12	14.00	13.00
	508 x 406 x 152			432 x 330	541	567 x 438				356	330
A20R208HCL0	20.00 x 20.00 x 8.00	14	A20P20	17.00 x 17.00	21.31	22.31 x 21.25	APMK3RLO14	AMFK3RLO14	12	14.00	13.00
	508 x 508 x 203			432 x 432	541	567 x 540				356	330
A24R208HCL0	24.00 x 20.00 x 8.00	14	A24P20	21.00 x 17.00	25.31	26.31 x 21.25	APMK3RLO14	AMFK3RLO14	12	14.00	13.00
	610 x 508 x 203			533 x 432	643	668 x 540				356	330
A24R248HCL0	24.00 x 24.00 x 8.00	14	A24P24	21.00 x 21.00	25.31	26.31 x 25.25	APMK3RLO14	AMFK3RLO14	12	14.00	13.00
	610 x 610 x 203			533 x 533	643	668 x 641				356	330
A30R248HCL0	30.00 x 24.00 x 8.00	14	A30P24	27.00 x 21.00	31.31	32.31 x 25.25	APMK3RLO14	AMFK3RLO14	12	14.00	13.00
	762 x 610 x 203			686 x 533	795	821 x 641				356	330

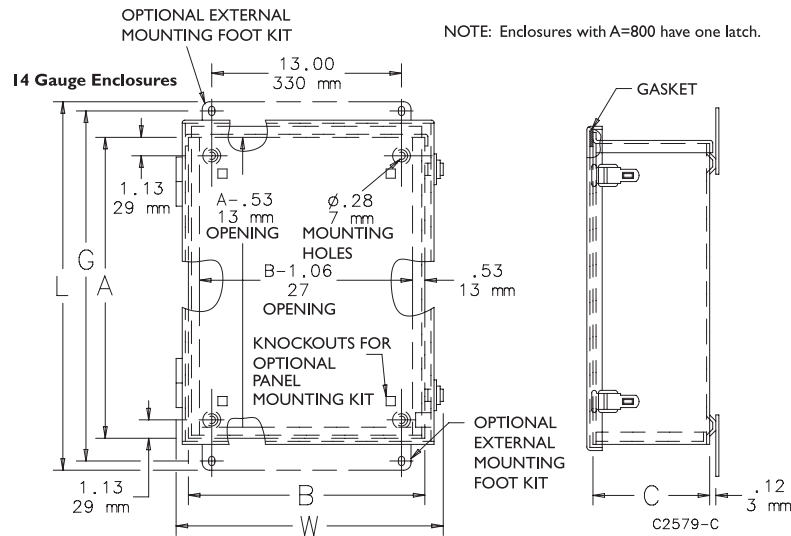
<sup>a</sup> Purchase panels separately.

<sup>b</sup> Panel Mounting Kit and Mounting Bracket Kit must be ordered separately. (A Panel Mounting Kit must be ordered to install panel.)

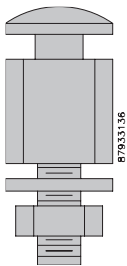
## Hinge-Cover Lift-Off Type 3R Enclosures and Accessories



NOTE: Enclosures with A=800 have one latch.



### Panel Mounting Kit

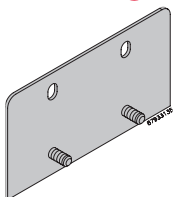


A panel mounting kit (order separately) is required in order to install a panel.

Bulletin: A3LO

Catalog Number	Description
APMK3RL014	Required to install panel
APMK3RL016	Required to install panel

### Mounting Bracket Kit



Optional external mounting bracket kit available for installing enclosure (order separately).

Bulletin: A3LO

Catalog Number	Foot Gauge	Overall Bracket Width in./mm	Hole Spacing for Bracket in./mm
AMFK3RL014	12	14.00	13.00
		356	330
AMFK3RL016	14	5.00	4.00
		127	102

## Pad-Mount Type 3R Enclosures and Accessories

### WEATHERPRO® Outdoor Pad Mount, Type 3R



#### Industry Standards

UL 508A Listed; Type 3R; File No. E61997  
 cUL/CSA C22.2 No. 94 Listed; Type 3R; File No. E61997

NEMA/EEMAC Type 3R  
 IEC 60529, IP32

#### Application

WEATHERPRO® Outdoor Pad Mount Enclosures protect controls, drives, power distribution components or contactors in outdoor commercial or industrial power distribution and control applications. The overlapping two-door models with no center post allow full-width access to enclosure interior.

#### Features

- 3-point latching system with heavy duty handle
- Padlock provision in handle
- Open bottom with pre-punched mounting hole flange
- Drip edge overhang on top
- Louvered overhang with a closure plate
- Studs included for mounting optional panels on threaded bolts
- Welded body construction
- Sturdy 7 gauge lifting tabs
- Overlapping doors with no center post on two-door models
- Bonding provision on each door
- Bolted hinges on doors

#### Specifications

- 14 gauge galvanized steel

#### Finish

RAL 7035 light-gray polyester powder paint inside and outside. Optional panels are white.

#### Accessories

- [s-3247]
- [s-3733]
- [s-3731]
- [s-3246]

#### Modification and Customization

Hoffman excels at modifying and customizing products to your specifications. Contact your local Hoffman sales office or distributor for complete information.

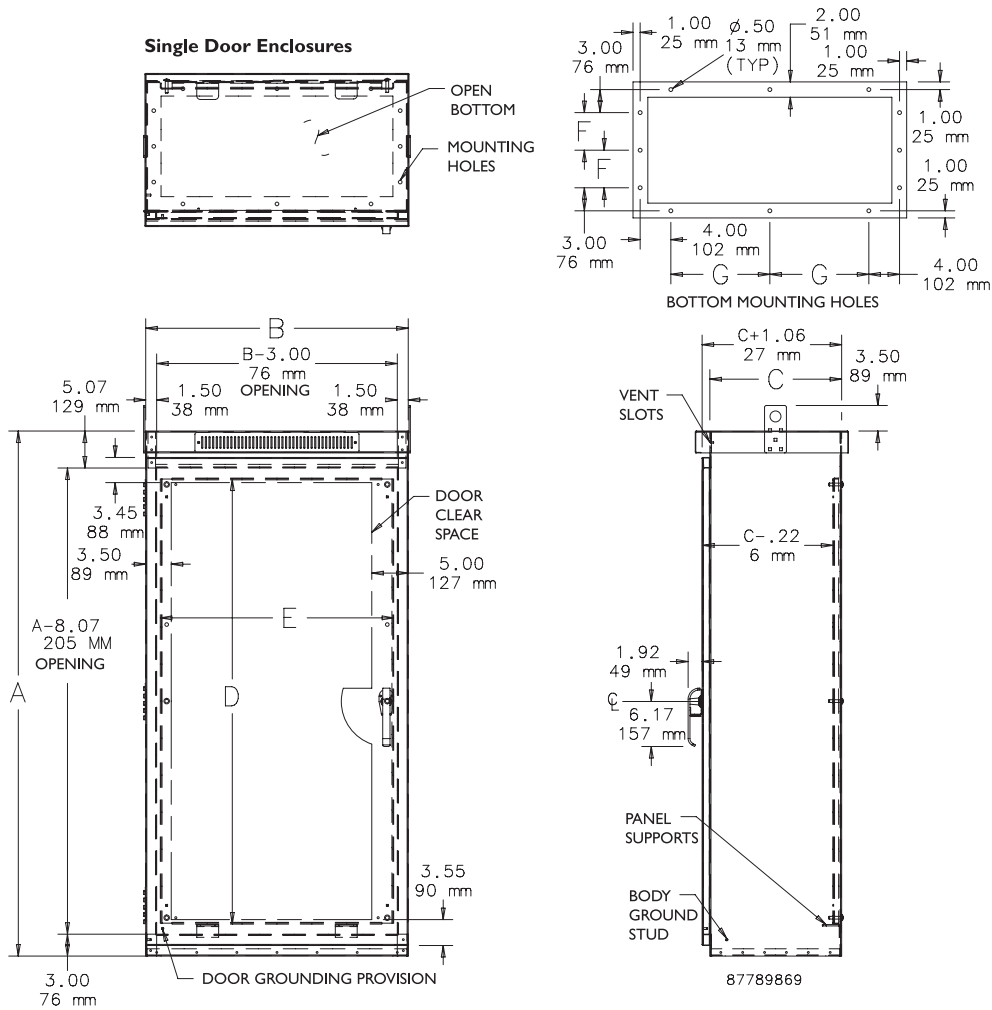
Bulletin: A3PM

## Pad-Mount Type 3R Enclosures and Accessories

Standard Product **WEATHERPRO Outdoor Pad-Mount Type 3R Single Door Enclosures**

Catalog Number	AxBxC in./mm	Panel	Panel Size D x E in./mm	Mounting Dimensions F x G in./mm
A60R2518FSLP	60.00 x 25.00 x 18.00 1524 x 635 x 457	A49P21N	49.16 x 21.50 1249 x 546	4.90 x 7.40 124 x 188
A60R2524FSLP	60.00 x 25.00 x 24.00 1524 x 635 x 610	A49P21N	49.16 x 21.50 1249 x 546	7.90 x 7.40 201 x 188
A72R2518FSLP	72.00 x 25.00 x 18.00 1829 x 635 x 457	A61P21N	61.16 x 21.50 1553 x 546	4.90 x 7.40 124 x 188
A60R3618FSLP	60.00 x 36.00 x 18.00 1524 x 914 x 457	A49P32N	49.16 x 32.00 1249 x 813	4.90 x 12.90 124 x 328
A72R3618FSLP	72.00 x 36.00 x 18.00 1829 x 914 x 457	A61P32N	61.16 x 32.00 1553 x 813	4.90 x 12.90 124 x 328
A72R3624FSLP	72.00 x 36.00 x 24.00 1829 x 914 x 610	A61P32N	61.16 x 32.00 1553 x 813	7.90 x 12.90 201 x 328

Purchase panels separately.

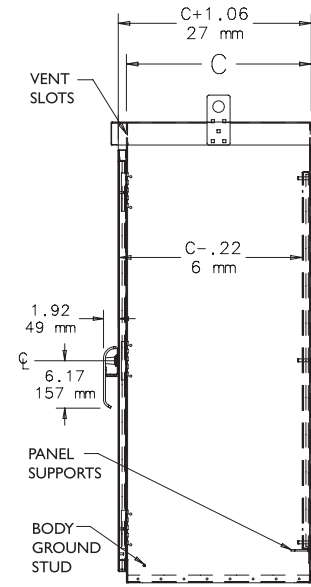
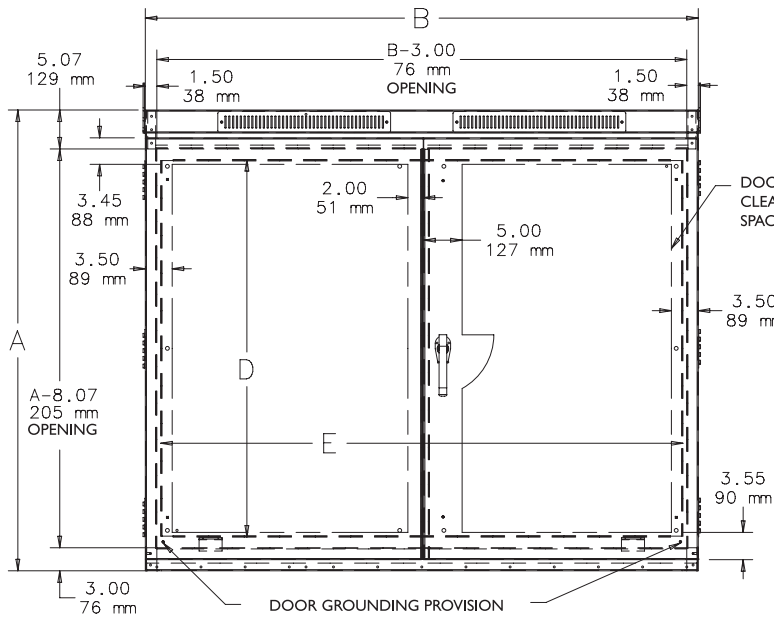
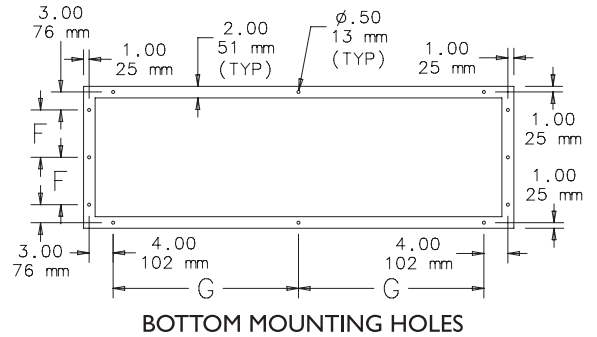
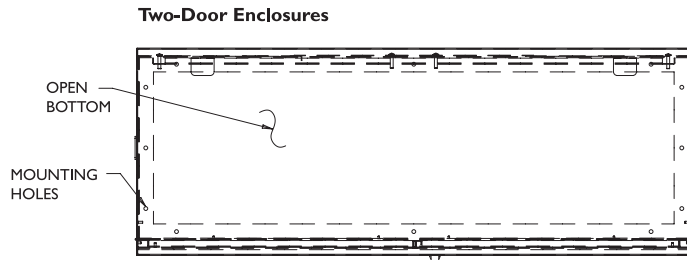


## Pad-Mount Type 3R Enclosures and Accessories

Standard Product **WEATHERPRO Outdoor Pad-Mount Type 3R Two-Door Enclosures**

Catalog Number	AxBxC in./mm	Panel	Panel Size D x E in./mm	Mounting Dimensions F x G in./mm
A60R5218FSLP	60.00 x 52.00 x 18.00 1524 x 1321 x 457	A49P48N	49.16 x 48.00 1249 x 1219	4.90 x 20.90 124 x 531
A60R5224FSLP	60.00 x 52.00 x 24.00 1524 x 1321 x 610	A49P48N	49.16 x 48.00 1249 x 1219	7.90 x 20.90 201 x 531
A60R7224FSLP	60.00 x 72.00 x 24.00 1524 x 1829 x 610	A49P68N	49.16 x 68.00 1249 x 1727	7.90 x 30.90 201 x 785
A72R7218FSLP	72.00 x 72.00 x 18.00 1829 x 1829 x 457	A61P68N	61.16 x 68.00 1553 x 1727	4.90 x 30.90 124 x 785
A72R7224FSLP	72.00 x 72.00 x 24.00 1829 x 1829 x 610	A61P68N	61.16 x 68.00 1553 x 1727	7.90 x 30.90 201 x 785

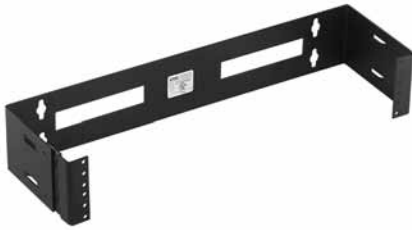
Purchase panels separately.



87789871

## Pad-Mount Type 3R Enclosures and Accessories

### 19-in. Hinged Wall-Mount Panel



#### Industry Standards

UL 1863 Listed; File No. E230874  
 cUL Listed per CSA C22.2 No. 182.4; File No. E230874

EIA 310-D

#### Application

The 19-in. Hinged Panel provides a solution for smaller network equipment, punch-downs and patch panels in areas where floor space is at a premium. Easy access facilitates component installation and future expansion without disturbing existing equipment or cabling. Can be mounted with hinges on left or right side.

#### Features

- Open design offers unrestricted airflow
- Large cable exit holes on back surface
- Keyhole mounting slots on 16-in. centers accommodate up to 3/8-in. dia. mounting fasteners (not supplied)
- Heavy duty hinges are welded to frame
- Hinge provided for every two rack unit spacing
- One rack unit model has half-size hinge
- Provides access to rear of equipment
- 12-24 rack mounting screws (package of 20) included with assembly
- Wall mounting hardware not included

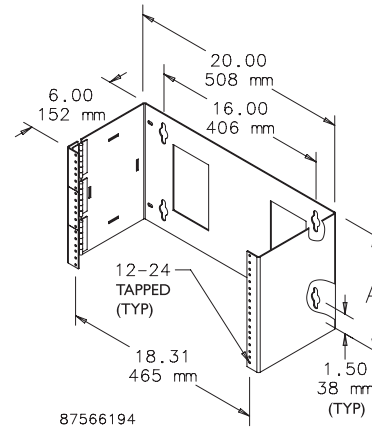
#### Specifications

- Made of 12 gauge steel
- EIA universal 5/8, 5/8, 1/2 in. spaced 12-24 tapped holes. EIA spacing provides 1.75 in. per rack unit.

#### Finish

Finish is RAL 9005 black low-gloss polyester powder paint

Bulletin: DOFRW



#### Standard Product

Catalog Number	A (in.)	A (mm)	Load Rating (lb.)	Load Rating (kg)	Rack Units
E19HPM1U	1.75	44	25	11.3	1
E19HPM2U	3.50	89	50	22.7	2
E19HPM4U	8.00	203	100	45.4	4
E19HPM6U	10.50	267	150	68.0	6
E19HPM8U	14.00	356	200	90.7	8

## Pad-Mount Type 3R Enclosures and Accessories

### 19-in. Fixed Wall-Mount Rack

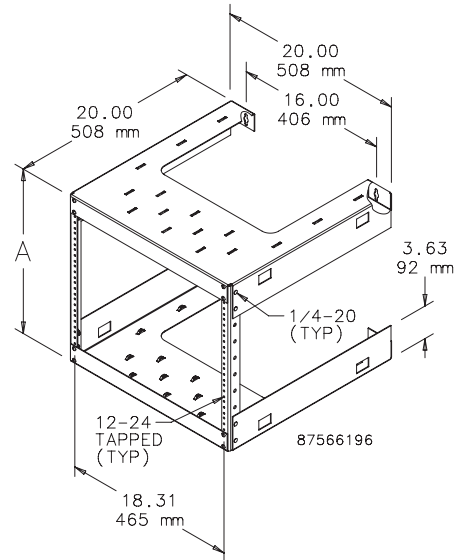


Economical solution for banks of small networking equipment. Integral VELCRO® cable tiedown slots facilitate cable routing. Made of 16 gauge steel, finished with RAL 9005 low gloss black polyester powder paint. Shipped in four easy-to-assemble sections.

VELCRO is a trademark of Velcro Industries B.V.

Bulletin: DOFRW

Catalog Number	A (in.)	A (mm)	Load Rating (lb.)	Load Rating (kg)	Rack Units
E19FWM12U20	23.00	584	150	68.0	12
E19FWM20U20	37.00	940	150	68.0	20
E19FWM25U20	45.75	1162	150	68.0	25
E19FWM32U20	58.00	1473	150	68.0	32



### Insect Screens



Fastens over ventilation slot with two screws provided. Requires one for single-door enclosure and two for two-door enclosure. Purchase insect screens separately.

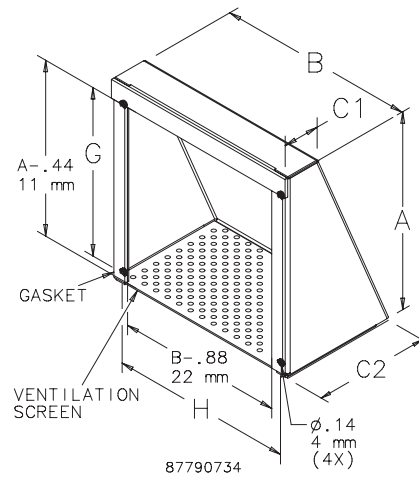
Bulletin: A3PM

Catalog Number	Description	Requires
A3PMIS	Insect Screen	One for one-door enclosure and two for two-door enclosure



## Pad-Mount Type 3R Enclosures and Accessories

### Fan Shroud Kits



Fan shroud kits are available for outdoor enclosure applications requiring Type 3R ventilation protection from falling rain, sleet and snow.

Bulletin: D85

Catalog Number	Material	Height x Width (in.)	Height x Width (mm)
T4S3R	Steel	6.00 x 6.00	152 x 152
T6S3R	Steel	8.00 x 8.00	203 x 203
T10S3R	Steel	12.00 x 12.00	305 x 305
T4S3RSS	Stainless Steel	6.00 x 6.00	152 x 152
T6S3RSS	Stainless Steel	8.00 x 8.00	203 x 203
T10S3RSS	Stainless Steel	12.00 x 12.00	305 x 305

## WEATHERFLO® Type 3R Vented Enclosures

### WEATHERFLO® with Fan, Type 3R



*Fan with Finger Guard*

#### Industry Standards

UL 508A Listed; Type 3R; File Number E61997  
 cUL Listed per CSA C22.2 No 94; Type 3R; File Number E61997

NEMA/EEMAC Type 3R  
 IEC 60529, IP32

#### Application

WEATHERFLO® Enclosures feature a forced-air ventilation system for cooling drives or other high-heat producing equipment in outdoor applications.

#### Features

- White polyester powder finish with low solar absorption
- Integrated solar shield top and intake cover
- Gasket and filter
- Adjustable thermostat (70-140 F)
- Active cooling ventilation system with factory-installed fan and filter (115 VAC)
- Terminal power connection for fan
- Easily accessible and washable metal filter
- Top front hood exhaust and door

- Lift-off hinged door
- Quarter-turn latch
- External mounting brackets
- Collar studs provided to mount the optional panel
- Grounding provision on door and body
- Gasketed door

#### Specifications

- 16 and 14 gauge galvanized steel
- Largest two sizes constructed of aluminum

#### Finish

RAL 9003 white polyester powder texturized finish inside and out.

#### Accessories

[s-3556]  
 [s-3559]  
 [s-3440]  
 [s-3450]

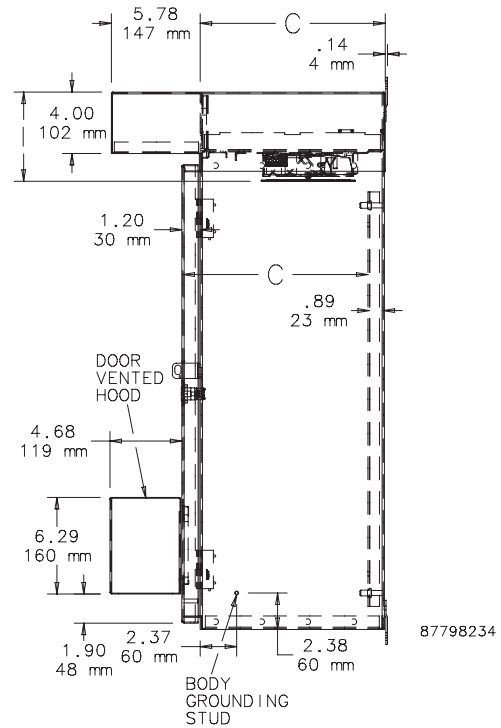
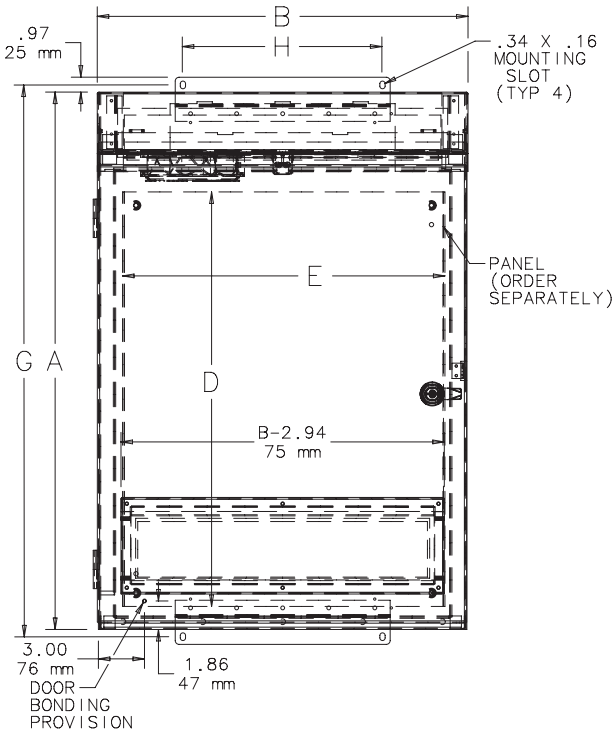
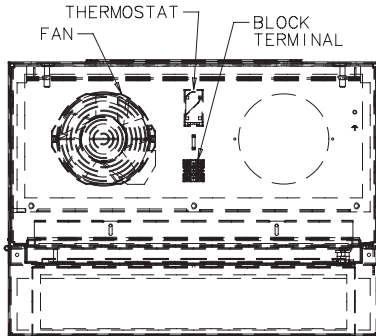
**Bulletin: A3RD**

# WEATHERFLO® Type 3R Vented Enclosures

Standard Product

Catalog Number	AxBxC in./mm	Drive Horsepower (hp)	Panel	Panel Size D x E in./mm	Mounting Holes G x H in./mm	I in./mm
WF3LP	29.00 x 24.00 x 12.00	3	A24P24	21.00 x 21.00	29.94 x 13.00	5.59
	737 x 610 x 305			533 x 533	760 x 330	142
WF10LP	35.00 x 24.00 x 12.00	10	A30P24	27.00 x 21.00	35.94 x 13.00	5.81
	889 x 610 x 305			686 x 533	913 x 330	148
WF25LP	41.00 x 24.00 x 12.00	25	A36P24	33.00 x 21.00	41.94 x 13.00	5.81
	1041 x 610 x 305			838 x 533	1065 x 330	148
WF40LP	47.00 x 24.00 x 14.00	40	A42P24	39.00 x 21.00	47.94 x 13.00	5.81
	1194 x 610 x 356			991 x 533	1218 x 330	148
WF75LP	56.00 x 36.00 x 16.00	75	A48P36	45.00 x 33.00	55.94 x 27.00	7.43
	1422 x 914 x 406			1143 x 838	1421 x 686	189
WF100LP	67.00 x 36.00 x 16.00	100	A60P36	57.00 x 33.00	67.94 x 27.00	7.43
	1702 x 914 x 406			1448 x 838	1726 x 686	189

Purchase panels separately.



87798234

## WEATHERFLO® Type 3R Vented Enclosures

### Technical Information

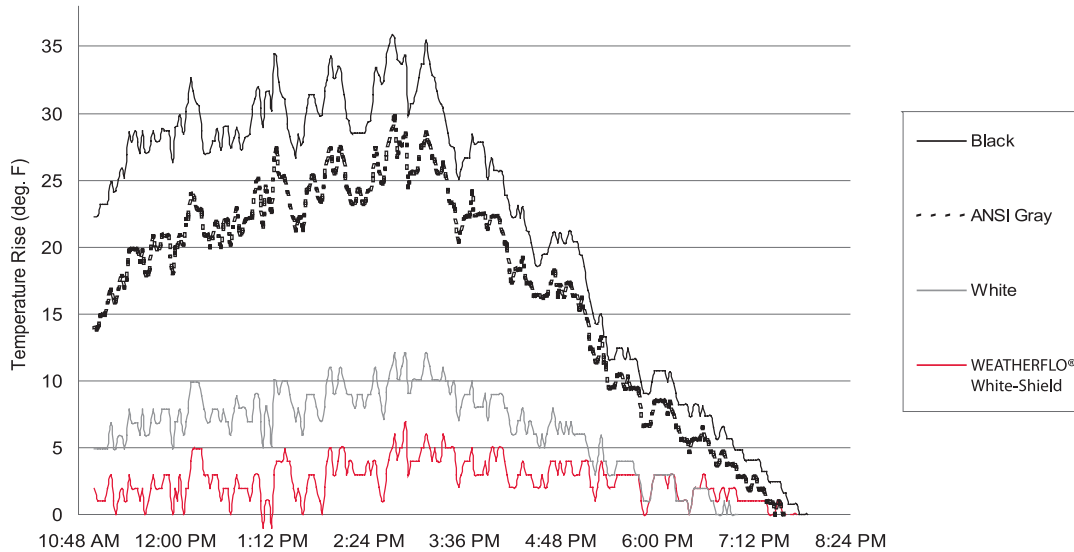
This information is for guidance only; user is responsible for load values to evaluate the system.

Catalog Number	Drive Horsepower (hp)	Fan	Fan Size in./mm	Fan VAC	Fan Amps (50/60 Hz)	System CFM	Replacement Filter
WF3LP	3	A4AXFN	4	115	.26/.21	75	WFF1
WF10LP	10	A6AXFN	6	115	.45/.36	160	WFF1
WF25LP	25	A6AXFN	6	115	.45/.36	160	WFF1
WF40LP	40	A6AXFN	6 (2x)	115	.90/.72	200	WFF1
WF75LP	75	A10EFN	10	115	.58/.70	400	WFF2
WF100LP	100	A10EFN	10 (2x)	115	1.16/1.40	500	WFF2

### Solar Consideration

The WEATHERFLO® Enclosure's glossy white finish and solar shield top shroud minimize the heat load caused by the sun. If the allowable temperature rise is greater than 5 F, the solar load can be neglected because the transmitted load of the illuminated sides would be equal to the energy dissipated on the sides not exposed to the sun.

Solar Load Based on Color  
Average Internal Temperature Rise  
Non-vented Enclosure



## WEATHERFLO® Type 3R Vented Enclosures

### Critical Parameters (upper temperature limits)

#### Enclosure Heat Load Calculations

**Drive heat:**

$$W_D = [(HP \times 745.7 \text{ Watts/HP}) / E_M] \times (1 - E_D) \quad [\text{Watts}]$$

**Total heat:**

Estimate an additional 25%<sup>a</sup> for wire connections and other components.

$$W_T = W_D \times 1.25^a \quad [\text{Watts}]$$

**Required airflow:**

$$\text{CFM} = (W_T \times 3.16) / (T_{int} - T_{amb}) \quad [\text{ft.}^3 / \text{min.}]$$

<sup>a</sup>This is an estimated factor. Further investigation is necessary to obtain actual total heat dissipated in enclosure.

#### Variables

Variable Descriptions	Variables	Typical Values
Maximum ambient temperature	T <sub>amb</sub>	104 F
Maximum internal temperature	T <sub>int</sub>	122 F
Typical temperature rise	(T <sub>int</sub> - T <sub>amb</sub> )	15 F
Full-load drive power	HP	—
Motor efficiency <sup>b</sup>	E <sub>M</sub>	.80-.96
Drive efficiency <sup>b</sup>	E <sub>D</sub>	.96-.98
Drive heat loss	W <sub>D</sub>	—
Total heat loss	W <sub>T</sub>	—
Required airflow	CFM	—

<sup>b</sup>Use full-load efficiency. Motor and drive efficiency will vary based on HP and voltage.

#### Sample Values

Drive HorsePower (hp)	Typical Full Load Rating - Motor Efficiency	Typical Full Load Rating - Drive Efficiency	Drive Heat Loss W <sub>D</sub> (W)	Additional Heat Loss <sup>a</sup> (W)	Total Heat Loss W <sub>T</sub> (W)	Airflow when t <sub>int</sub> - T <sub>amb</sub> = 15 F (CFM)
3	.86	.97	78	20	98	21
10	.90	.97	249	62	311	65
25	.91	.97	615	154	768	162
40	.92	.98	648	162	811	171
75	.93	.98	1203	301	1503	317
100	.94	.98	1587	397	1983	418

<sup>a</sup>Additional Heat Loss - This is an estimated factor. Further investigation is necessary to obtain actual total heat dissipated in enclosure.

### Critical Parameters (lower temperature limits)



Determine the ambient operating temperature range of the drive. A typical operating range is from 14 to 122 F (-10 to 50 C). For outdoor assemblies in northern climates, the lower operating temperature may be below the lower temperature limit. To ensure that cold starts are not below the low limit temperature, the addition of a heater is recommended.

Hoffman has 100-, 200-, 400-, and 800-W heaters available with adjustable thermostats from 0-100 F. For additional information, see the Thermal Management chapter.

WEATHERFLO Catalog Number	Recommended Heater (115 VAC)	Recommended Heater (230 VAC)	Heater Size (W)	Estimated Temperature Rise Above Ambient (°F)
WF3LP	DAH2001A	DAH2002A	200	55
WF10LP	DAH2001A	DAH2002A	200	46
WF25LP	DAH2001A	DAH2002A	200	40
WF40LP	DAH2001A	DAH2002A	200	33
WF75LP	DAH4001A	DAH4002A	400	41
WF100LP	DAH4001A	DAH4002A	400	37

## WEATHERFLO® HD

### WEATHERFLO® HD Enclosures



#### Application

WEATHERFLO® HD Enclosures are designed to protect and cool 100-500 HP variable frequency drives. These enclosures provide an integrated cooling solution for your VFD application needs.

#### Features

- Optional impeller packages provide 840 actual CFM per impeller
- Easy-to-install back panel with flexible installation methods
- Painted white polyester powder finish with low solar absorption
- Selectable bases and tops, designed to meet your specific needs
- Gangable; enclosures can be joined to one another
- Easy-to-change filter (not included)

#### Specifications

- Frames, bases and gland plates constructed of .125-in. aluminum
- Tops and fan housing constructed of .080-in. aluminum
- Sides and standard rear cover constructed of .100-in. aluminum
- Gasketed door, top and base
- Panels and heavy-duty rear cover constructed of 12 gauge mild steel
- Three-point latches operated by patented padlocking handle
- Grounding provisions on door and body

#### Finish

RAL 9003 white polyester powder paint finish inside and outside, including panels, tops, covers and bases.

#### Accessories

- [s-57050]
- [s-239171]
- [s-3395]
- [s-174698]
- [s-3385]

#### Ordering

For your specific needs please identify and order each individual component.

1. Select frame
2. Select top, dependent on cooling solution
3. Select base, dependent on cooling solution
4. Select panel
5. Select rear cover, HD rear cover designed for applications when the drive is mounted on rear cover instead of the panel
6. Select number of Impellers (if needed), room for two impellers per door

Please see Product Selection Matrix on page 4.

#### Modification and Customization

Hoffman excels at modifying and customizing products to your specifications. Modification options for WEATHERFLO HD include: size changes, custom paint, and holes and cut-outs. Contact your local Hoffman sales office or distributor for complete information.

Bulletin: A3RD

#### Industry Standards

UL 508A Listed; Type 3R; File Number E61997  
 cUL Listed per CSA C22.2 No 94; Type 3R; File Number E61997

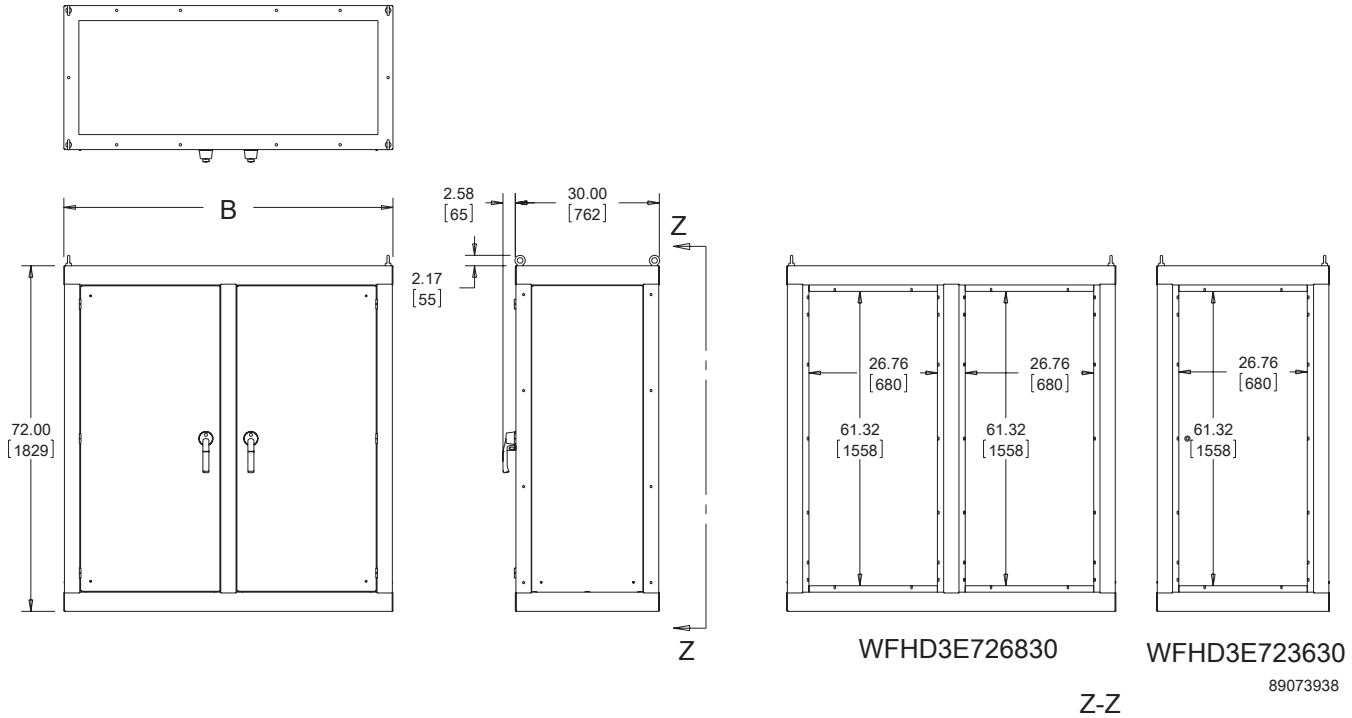
NEMA/EEMAC Type 3R  
 IEC 60529, IP22

# WEATHERFLO® HD

## Standard Product One- and Two-Door Frames

Catalog Number	AxBxC in./mm	Description
<b>WFHD3E723630</b>	74.14 x 36.00 x 30.00 1883 x 914 x 762	One-Door Frame
<b>WFHD3E726830</b>	74.14 x 68.56 x 30.00 1883 x 1741 x 762	Two-Door Frame

Includes frame, door(s), two sides and four lifting eyes.

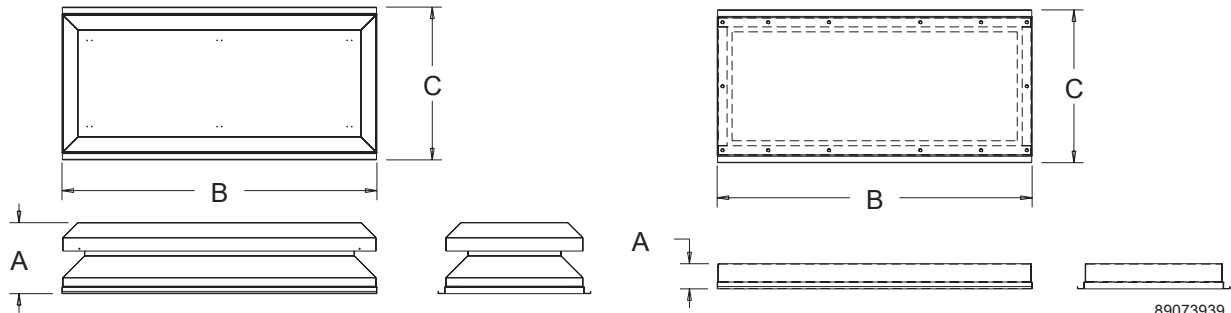


## Tops

Pagoda tops are designed to be used with Hoffman's Impeller packages. Pagoda tops include a stainless steel mesh to prevent the ingress of debris. Solid tops are designed to be used with a closed-loop cooling solution.

Bulletin: A3RD

Catalog Number	AxBxC in./mm	Description
<b>WFHD3PT3630</b>	15.53 x 36.00 x 33.42 394 x 914 x 849	Pagoda Top, One-Door
<b>WFHD3ST3630</b>	5.50 x 36.26 x 33.42 140 x 921 x 849	Solid Top, One-Door
<b>WFHD3PT6830</b>	15.53 x 68.89 x 33.42 394 x 1750 x 849	Pagoda Top, Two-Door
<b>WFHD3ST6830</b>	5.50 x 68.89 x 33.42 140 x 1750 x 849	Solid Top, Two-Door



89073939

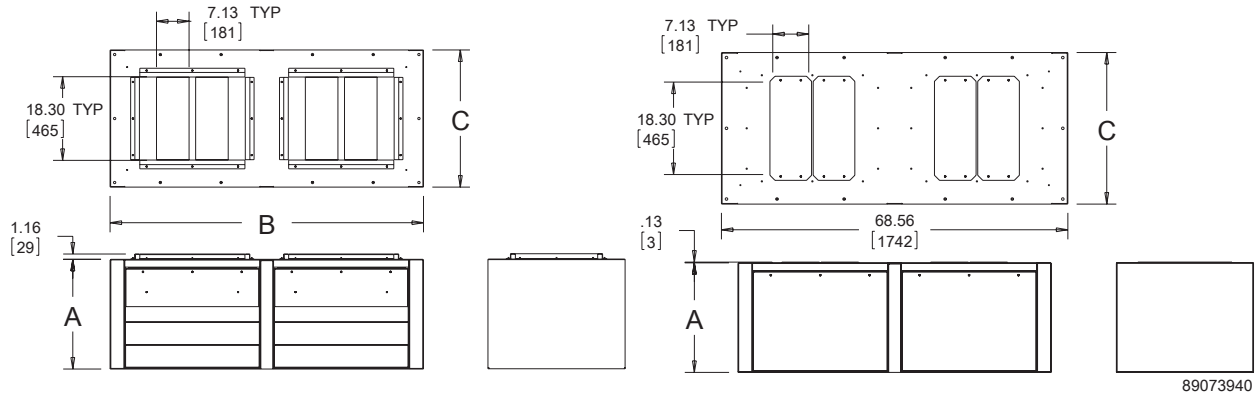
# WEATHERFLO® HD

## Bases

Vented bases are designed to be used with Hoffman's Impeller packages and include a stainless steel mesh to prevent the ingress of debris. The vented bases have a provision to easily install a standard furnace filter. If vented bases are used, a maximum airflow furnace filter is recommended. Filters are not provided. Solid bases are designed to be used with a closed-loop cooling solution.

Bulletin: A3RD

Catalog Number	AxBxC in./mm	Description	Gland Plate Openings
WFHD3B3630	24.00 x 36.00 x 30.00 610 x 914 x 762	Solid Base, One-Door	2
WFHD3VB3630	24.00 x 36.00 x 30.00 610 x 914 x 762	Vented Base, One-Door	2
WFHD3B6830	24.00 x 68.56 x 30.00 610 x 1741 x 762	Solid Base, Two-Door	4
WFHD3VB6830	24.00 x 68.56 x 30.00 610 x 1741 x 762	Vented Base, Two-Door	4

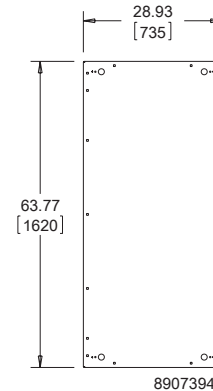


## Panel

The panel size and openings are the same regardless of frame size. Select a panel for each door.

Bulletin: A3RD

Catalog Number	AxBxC in./mm	Description
WFHDP7236	63.77 x 28.93 x 1.12 1620 x 735 x 28	Panel

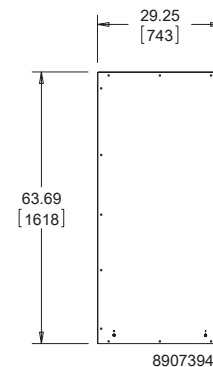


## Rear Covers

The heavy-duty rear cover is designed for those applications when the drive is mounted directly to the rear cover of the enclosure instead of to the panel. Select a rear cover for each door.

Bulletin: A3RD

Catalog Number	AxBxC in./mm	Description	Material
WFHD3RC7236	63.69 x 29.25 x 1.29 1618 x 743 x 33	Aluminum Rear Cover	.100-in. Aluminum
WFHD3RCH7236	63.69 x 29.25 x 1.29 1618 x 743 x 33	Heavy-Duty Rear Cover	12 Ga. Mild Steel





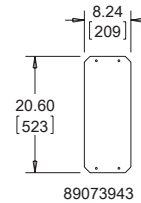
## WEATHERFLO® HD

### Gland Plate

The gland plate is intended for use in combination with the vented base to cover unused impeller locations.

Bulletin: A3RD

Catalog Number	AxB in./mm	Description
WFHD3GP	20.60 x 8.24 523 x 209	Gland Plate



89073943

### Joining Kit

The joining kit will work on either one- or two-door models. The kit includes hardware and instructions. Enclosures should be joined/ganged at the application site, as the kit is not designed to be used while the enclosures are in transit.

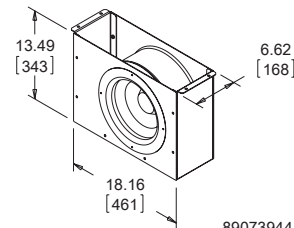
Catalog Number	Description
WFHDJK	Joining Kit

### Impeller

Each Impeller package includes one high-performance, 115 VAC 60 Hz, shielded impeller and an aluminum housing. Each vented base has a provision for two impellers per door.

Please see performance chart below.

Catalog Number	Description	Impeller Qty.
WFHDFP	Impeller Package	1



89073944

### CFM Performance Chart

NO. OF IMPELLERS	CFM	MAX HEAT DISSIPATION (IN WATTS) AT:			
		10° Delta T	20° Delta T	30° Delta T	40° Delta T
1	840	2,654	5,309	7,963	10,618
2	1680	5,309	10,618	15,926	21,235
3	2520	7,963	15,926	23,890	31,853
4	3360	10,618	21,235	31,853	42,470

Calculated using the following equation: Watts = .316 x CFM x ΔT

### Product Selection Matrix

	One-Door Enclosure	Two-Door Enclosure
Frame	WFHD723630	WFHD3E723630
Solid Top	WFHD3ST3630	WFHD3ST6830
Pagoda Top	WFHD3PT3630	WFHD3PT6830
Solid Base	WFHD3B3630	WFHD3B6830
Vented Base	WFHD3VB3630	WFHD3VB6830
Panel	WFHDP7236	WFHDP7236
Rear Cover	WFHD3RC7236	WFHD3RC7236
Heavy-Duty Rear Cover	WFHD3RCH7236	WFHD3RCH7236
Gland Plate	WFHD3GP	WFHD3GP
Impeller	WFHDFP	WFHDFP

Two-Door enclosures require two rear covers and two panels.

# Telephone Cabinets and Accessories

## Telephone Cabinet, Type 1



### Features

- Continuous hinge
- Tumbler lock with key
- Flush or surface mounting
- 3/4-in.-thick plywood mounting panel included

### Specifications

- 16, 14 or 12 gauge galvanized steel body, mild steel door

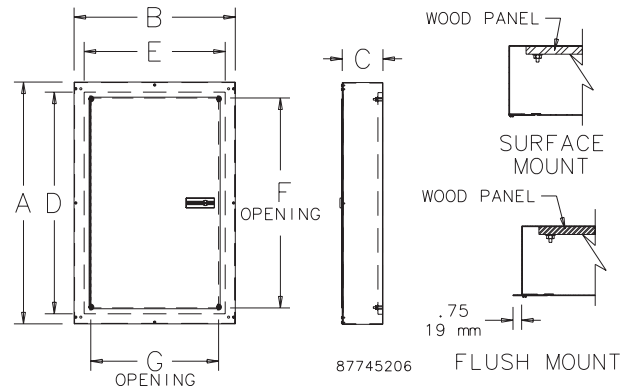
### Finish

- ANSI 61 gray polyester powder paint on front only

### Accessories

[s-3213]

Bulletin: T90



### Industry Standards

UL 50, 50E Listed; Type 1; File No. E27567  
cUL Listed per CSA C22.2 No 40; Type 1; File No. E27567

NEMA/EEMAC Type 1  
IEC 60529, IP30

### Application

Telephone Cabinets house telephone and communication cable terminations as well as electrical controls and instruments in indoor applications.

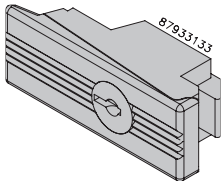
### Standard Product

Catalog Number	AxBxC in./mm	Mount	Panel Size D x E in./mm	Nominal Door Size F in./mm	Nominal Door Size G in./mm
ATC10104S	10.00 x 10.00 x 4.00	Surface	7.00 x 7.00	6.80	6.75
	254 x 254 x 102		178 x 178	173	171
ATC10104F	10.00 x 10.00 x 4.00	Flush	7.00 x 7.00	6.80	6.75
	254 x 254 x 102		178 x 178	173	171
ATC12124S	12.00 x 12.00 x 4.00	Surface	9.00 x 9.00	8.30	8.25
	305 x 305 x 102		229 x 229	211	210
ATC12124F	12.00 x 12.00 x 4.00	Flush	9.00 x 9.00	8.30	8.25
	305 x 305 x 102		229 x 229	211	210
ATC18124S	18.00 x 12.00 x 4.00	Surface	15.00 x 9.00	14.30	8.25
	455 x 305 x 102		381 x 229	363	210
ATC18124F	18.00 x 12.00 x 4.00	Flush	15.00 x 9.00	14.30	8.25
	455 x 305 x 102		381 x 229	363	210
ATC18184S	18.00 x 18.00 x 4.00	Surface	15.00 x 15.00	14.30	14.25
	455 x 455 x 102		381 x 381	363	362
ATC18184F	18.00 x 18.00 x 4.00	Flush	15.00 x 15.00	14.30	14.25
	455 x 455 x 102		381 x 381	363	362
ATC24184S	24.00 x 18.00 x 4.00	Surface	21.00 x 15.00	20.30	14.25
	610 x 455 x 102		533 x 381	516	362
ATC24184F	24.00 x 18.00 x 4.00	Flush	21.00 x 15.00	20.30	14.25
	610 x 455 x 102		533 x 381	516	362
ATC24244S	24.00 x 24.00 x 4.00	Surface	21.00 x 21.00	19.30	19.14
	610 x 610 x 102		533 x 533	490	486
ATC24244F	24.00 x 24.00 x 4.00	Flush	21.00 x 21.00	19.30	19.14
	610 x 610 x 102		533 x 533	490	486
ATC30244S	30.00 x 24.00 x 4.00	Surface	27.00 x 21.00	25.30	19.14
	762 x 610 x 102		686 x 533	643	486
ATC30244F	30.00 x 24.00 x 4.00	Flush	27.00 x 21.00	25.30	19.14
	762 x 610 x 102		686 x 533	643	486
ATC30304S	30.00 x 30.00 x 4.00	Surface	27.00 x 27.00	25.30	25.14
	762 x 762 x 102		686 x 686	643	639
ATC36244S	36.00 x 24.00 x 4.00	Surface	33.00 x 21.00	31.30	19.14
	914 x 610 x 102		838 x 533	795	486
ATC36244F	36.00 x 24.00 x 4.00	Flush	33.00 x 21.00	31.30	19.14
	914 x 610 x 102		838 x 533	795	486

## Telephone Cabinets and Accessories

Catalog Number	AxBxC in./mm	Mount	Panel Size D x E in./mm	Nominal Door Size F in./mm	Nominal Door Size G in./mm
ATC36364S	36.00 x 36.00 x 4.00 914 x 914 x 102	Surface	33.00 x 33.00 838 x 838	31.30 795	31.14 791
ATC36364F	36.00 x 36.00 x 4.00 914 x 914 x 102	Flush	33.00 x 33.00 838 x 838	31.30 795	31.14 791
ATC12126S	12.00 x 12.00 x 6.00 305 x 305 x 152	Surface	9.00 x 9.00 229 x 229	8.30 211	8.25 210
ATC12126F	12.00 x 12.00 x 6.00 305 x 305 x 152	Flush	9.00 x 9.00 229 x 229	8.30 211	8.25 210
ATC18126S	18.00 x 12.00 x 6.00 455 x 305 x 152	Surface	15.00 x 9.00 381 x 229	14.30 363	8.25 210
ATC18126F	18.00 x 12.00 x 6.00 455 x 305 x 152	Flush	15.00 x 9.00 381 x 229	14.30 363	8.25 210
ATC18186S	18.00 x 18.00 x 6.00 455 x 455 x 152	Surface	15.00 x 15.00 381 x 381	14.30 363	14.25 362
ATC18186F	18.00 x 18.00 x 6.00 455 x 455 x 152	Flush	15.00 x 15.00 381 x 381	14.30 363	14.25 362
ATC24186S	24.00 x 18.00 x 6.00 610 x 455 x 152	Surface	21.00 x 15.00 533 x 381	20.30 516	14.25 362
ATC24186F	24.00 x 18.00 x 6.00 610 x 455 x 152	Flush	21.00 x 15.00 533 x 381	20.30 516	14.25 362
ATC24246S	24.00 x 24.00 x 6.00 610 x 610 x 152	Surface	21.00 x 21.00 533 x 533	19.30 490	19.14 486
ATC24246F	24.00 x 24.00 x 6.00 610 x 610 x 152	Flush	21.00 x 21.00 533 x 533	19.30 490	19.14 486
ATC30246S	30.00 x 24.00 x 6.00 762 x 610 x 152	Surface	27.00 x 21.00 686 x 533	25.30 643	19.14 486
ATC30306S	30.00 x 30.00 x 6.00 762 x 762 x 152	Surface	27.00 x 27.00 686 x 686	25.30 643	25.14 639
ATC30306F	30.00 x 30.00 x 6.00 762 x 762 x 152	Flush	27.00 x 27.00 686 x 686	25.30 643	25.14 639
ATC36246S	36.00 x 24.00 x 6.00 914 x 610 x 152	Surface	33.00 x 21.00 838 x 533	31.30 795	19.14 486
ATC36246F	36.00 x 24.00 x 6.00 914 x 610 x 152	Flush	33.00 x 21.00 838 x 533	31.30 795	19.14 486
ATC36306S	36.00 x 30.00 x 6.00 914 x 762 x 152	Surface	33.00 x 27.00 838 x 686	31.30 795	25.14 639
ATC36306F	36.00 x 30.00 x 6.00 914 x 762 x 152	Flush	33.00 x 27.00 838 x 686	31.30 795	25.14 639
ATC36366S	36.00 x 36.00 x 6.00 914 x 914 x 152	Surface	33.00 x 33.00 838 x 838	31.30 795	31.14 791
ATC36366F	36.00 x 36.00 x 6.00 914 x 914 x 152	Flush	33.00 x 33.00 838 x 838	31.30 795	31.14 791
ATC36308S	36.00 x 30.00 x 8.00 914 x 762 x 203	Surface	33.00 x 27.00 838 x 686	31.30 795	25.14 639
ATC36308F	36.00 x 30.00 x 8.00 914 x 762 x 203	Flush	33.00 x 27.00 838 x 686	31.30 795	25.14 639

### Replacement Tumbler Lock



Tumbler lock including key available for replacement of door latch (order separately).

**Bulletin: T90**

Catalog Number	Description
ATCL	Keyed Tumbler Lock

## Telephone Cabinets and Accessories

### T3-Box Telephone Cabinet, Type 3R



#### Industry Standards

UL 50, 50E Listed; Type 3R; File No. E27567  
 UL 497 / 1863 Listed; File No. E230874  
 cUL Listed per CSA C22.2 No 94; Type 3R; File No. E27567

NEMA Type 3R  
 IEC 60529 IP32

#### Application

Use T-3 Box Telephone Cabinets to mount and protect telephone terminations, telecommunications circuit accessories, cross-connect terminal block assemblies, maintenance terminal modules, cable-splice enclosures, network interface devices, wire-guide assemblies and telephone protectors in outdoor applications.

#### Features

- Lift-off hinges
- 4-position grounding bar #14-2/0
- Tamper-resistant quarter-turn latch
- 7-mm square drive; use key accessory CLKSM7 or 5/16 12-point socket
- Padlock hasp
- Standard knockouts

#### Specifications

- 16 or 14 gauge galvanized steel
- 3/4-in.-thick plywood panel

#### Finish

ANSI 61 gray polyester powder paint inside and outside.

#### Accessories

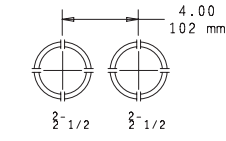
- [s-3231]
- [s-3398]
- [s-3523]
- [s-3428]

Bulletin: T90R3

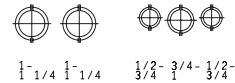
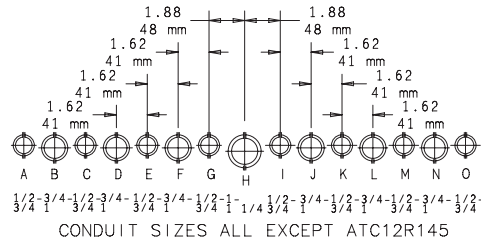
#### Standard Product

Catalog Number	AxBxC in./mm	Door	F in./mm	Panel Size D x E in./mm	Conduit Pattern
ATC12R145	12.00 x 14.00 x 5.00	Single	4.00	9.00 x 11.00	G-H-I
	305 x 356 x 127		102	229 x 279	
ATC36R366	36.00 x 36.00 x 6.00	Single	13.50	33.00 x 33.00	C-D-E-F-G-H-I-J-K-L-M
	914 x 914 x 152		343	838 x 838	
ATC26R248	26.00 x 24.00 x 8.00	Single	7.50	23.00 x 21.00	E-F-G-H-I-J-K
	660 x 610 x 203		191	584 x 533	
ATC36R248	36.00 x 24.00 x 8.00	Single	7.50	33.00 x 21.00	E-F-G-H-I-J-K
	914 x 610 x 203		191	838 x 533	
ATC36R308	36.00 x 30.00 x 8.00	Single	10.50	33.00 x 27.00	D-E-F-G-H-I-J-K-L
	914 x 763 x 203		267	838 x 686	
ATC36R369	36.00 x 36.00 x 9.00	Single	13.50	33.00 x 33.00	C-D-E-F-G-H-I-J-K-L-M
	914 x 914 x 229		343	838 x 838	
ATC42R369	42.00 x 36.00 x 9.00	Double	13.50	39.00 x 33.00	C-D-E-F-G-H-I-J-K-L-M
	1066 x 914 x 229		343	911 x 838	
ATC48R369	48.00 x 36.00 x 9.00	Double	13.50	45.00 x 33.00	C-D-E-F-G-H-I-J-K-L-M
	1220 x 914 x 229		343	1143 x 838	
ATC48R489	48.00 x 48.00 x 9.00	Double	19.50	45.00 x 45.00	A-B-C-D-E-F-G-H-I-J-K-L-M-O
	1219 x 1219 x 229		495	1143 x 1143	
ATC36R3612	36.00 x 36.00 x 12.00	Single	13.50	33.00 x 33.00	C-D-E-F-G-H-I-J-K-L-M
	914 x 914 x 305		343	838 x 838	

# Telephone Cabinets and Accessories

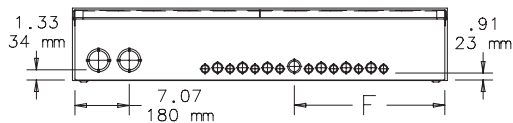
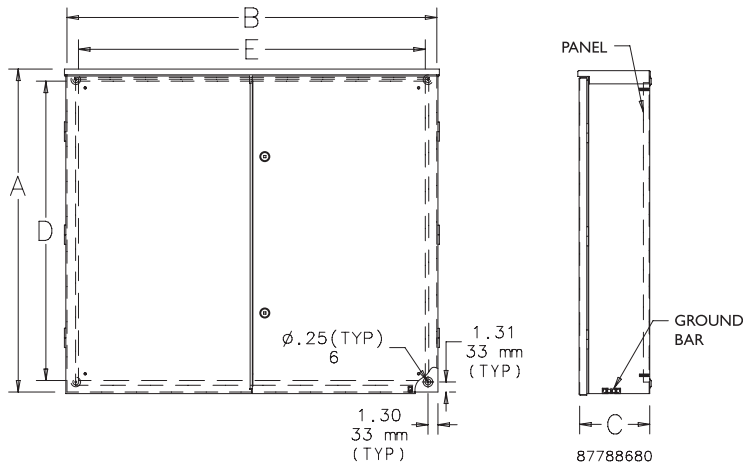
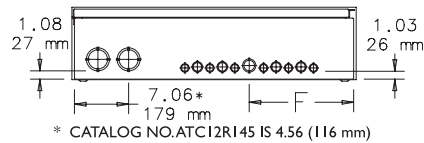
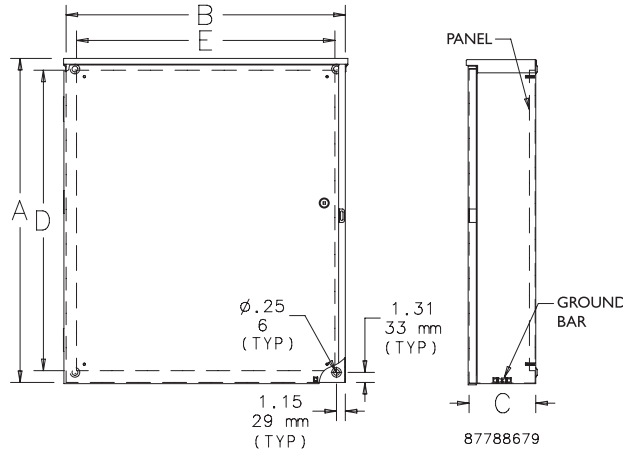


CONDUIT SIZES EXCEPT ATC12R145

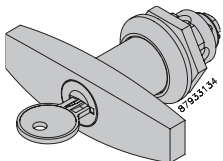


CONDUIT SIZES ATC12R145

87788681



## Locking T Handle



Optional locking T-Handle available for replacement of the quarter-turn latch (order separately).

Bulletin: T90R3

Catalog Number	Description
ALTC3R	Available for replacement of the quarter-turn latch

## Current Transformer, Screw Cover, Type 3R



### Industry Standards

UL 50, 50E Listed; Type 3R; File No. E27525  
 cUL Listed per CSA C22.2 No 94; Type 3R; File No. E27525

NEMA Type 3R  
 IEC 60529, IP32

### Application

Current Transformer Cabinets provide outdoor protection and security for instrument current transformers, which are frequently required for transformer-rated watt-hour metering. Cabinets can also be used as junction or service boxes and house meter, transformer, relay or terminal assemblies.

### Features

- Dripshield top and seam-free sides, front and back
- Slip-on removable cover fastened with captivated plated steel screws along bottom edge
- Mounting studs on enclosure body
- Mounting holes on back of enclosure

- Door handles provided
- Provisions for padlocking
- No gasketing or knockouts
- Ground lug

### Specifications

- 16, 14 or 12 gauge plated steel

### Finish

ANSI 61 gray polyester powder paint finish inside and out over plated surfaces.

### Accessories

[s-3433]

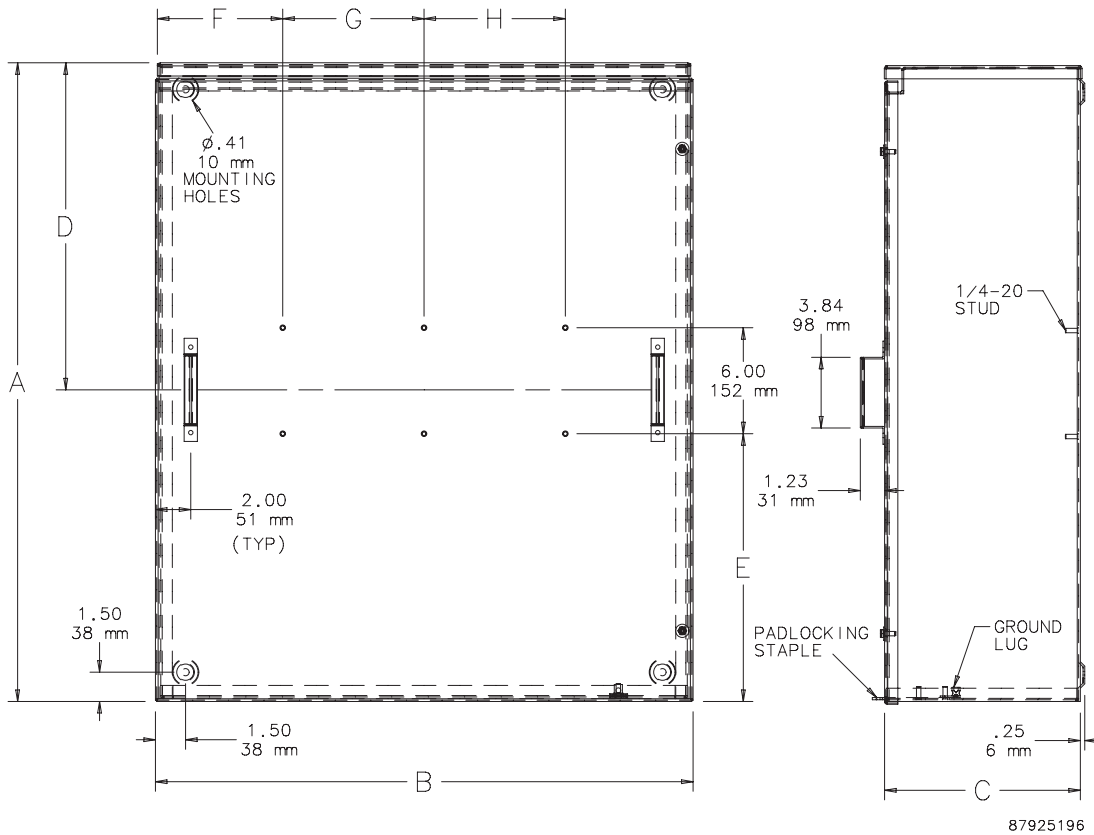
[s-3458]

[s-3428]

**Bulletin: A90CT**

### Standard Product

Catalog Number	AxBxC in./mm	D in./mm	E in./mm	F in./mm	G in./mm	H in./mm
<b>A242411CT</b>	24.00 x 24.00 x 11.00	12.19	9.00	8.00	8.00	—
	610 x 610 x 279	310	229	203	203	—
<b>A303011CT</b>	30.00 x 30.00 x 11.00	15.19	12.00	7.00	8.00	8.00
	762 x 762 x 279	386	305	178	203	203
<b>A363011CT</b>	36.00 x 30.00 x 11.00	18.19	15.00	7.00	8.00	8.00
	914 x 762 x 279	462	381	178	203	203
<b>A363611CT</b>	36.00 x 36.00 x 11.00	18.19	15.00	10.00	8.00	8.00
	914 x 914 x 279	462	381	254	203	203
<b>A483611CT</b>	48.00 x 36.00 x 11.00	24.19	21.00	10.00	8.00	8.00
	1219 x 914 x 279	614	533	254	203	203



**Current Transformer, Hinged Cover, Type 3R**



*Double Door (A484814HCT only)*

**Industry Standards**

UL 50, 50E Listed; Type 3R; File No. E27525  
 cUL Listed per CSA C22.2 No 94; Type 3R; File No. E27525

NEMA Type 3R  
 IEC 60529, IP32

**Application**

Current Transformer Cabinets provide outdoor protection and security for instrument current transformers, which are frequently required for transformer-rated watt-hour metering. Cabinets can also be used as junction or service boxes and house meter, transformer, relay or terminal assemblies.

**Features**

- Dripshield top and seam-free sides, front and back
- Mounting holes on back of enclosure
- Mounting studs are provided on the enclosure body
- Cover is removable in the open position
- Door handles provided

- Provisions for padlocking
- No gasketing or knockouts
- Ground lug
- Mounting provisions for optional door stop

**Specifications**

- 14 or 12 gauge galvanized steel

**Finish**

ANSI 61 gray polyester powder paint finish inside and out over galvanized surfaces.

**Accessories**

- [s-3433]
- [s-3458]
- [s-3428]
- [s-3398]

**Bulletin: A90CT**

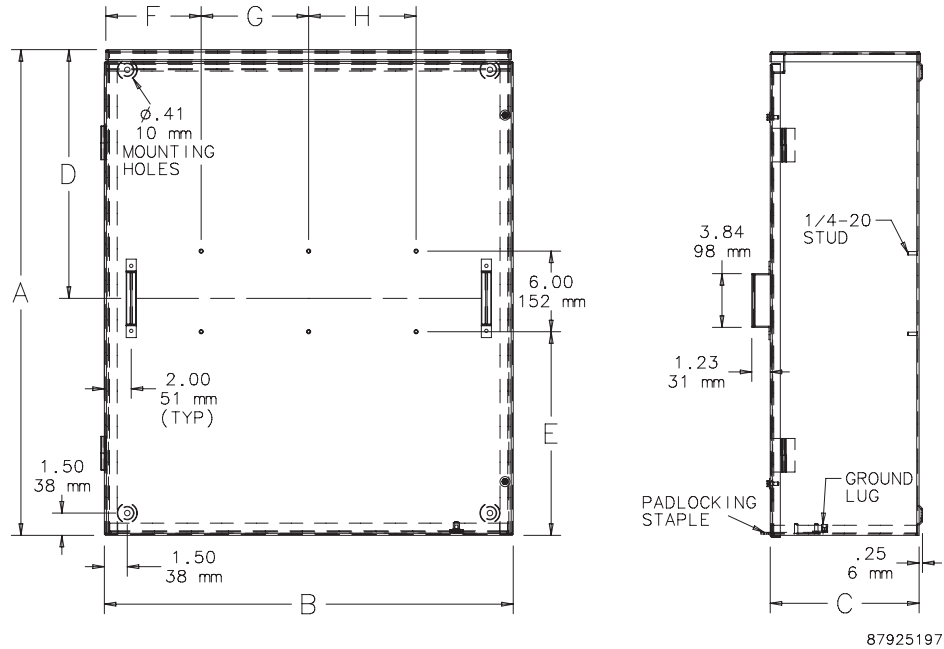
**Standard Product**

Catalog Number	AxBxC in./mm	Gauge	D in./mm	E in./mm	F in./mm	G in./mm	H in./mm
A362011HCT	36.00 x 20.00 x 11.00	14	18.75	15.00	6.67	8.00	—
	914 x 508 x 279		476	381	169	203	—
A302411HCT	30.00 x 24.00 x 11.00	14	15.75	12.00	8.00	8.00	—
	762 x 610 x 279		400	305	203	203	—
A482411HCT	48.00 x 24.00 x 11.00	14	24.75	21.00	8.00	8.00	—
	1219 x 610 x 279		629	533	203	203	—
A363011HCT	36.00 x 30.00 x 11.00	12	18.75	15.00	7.00	8.00	8.00
	914 x 762 x 279		476	381	178	203	203
A483011HCT	48.00 x 30.00 x 11.00	12	24.75	21.00	7.00	8.00	8.00
	1219 x 762 x 279		629	533	178	203	203
A363611HCT	36.00 x 36.00 x 11.00	12	18.75	15.00	10.00	8.00	8.00
	914 x 914 x 279		476	381	254	203	203
A483611HCT	48.00 x 36.00 x 11.00	12	24.75	21.00	10.00	8.00	8.00
	1219 x 914 x 279		629	533	254	203	203
A484814HCT	48.00 x 48.00 x 14.00	12	—	21.00	16.00	8.00	8.00
	1220 x 1220 x 356		—	533	406	203	203

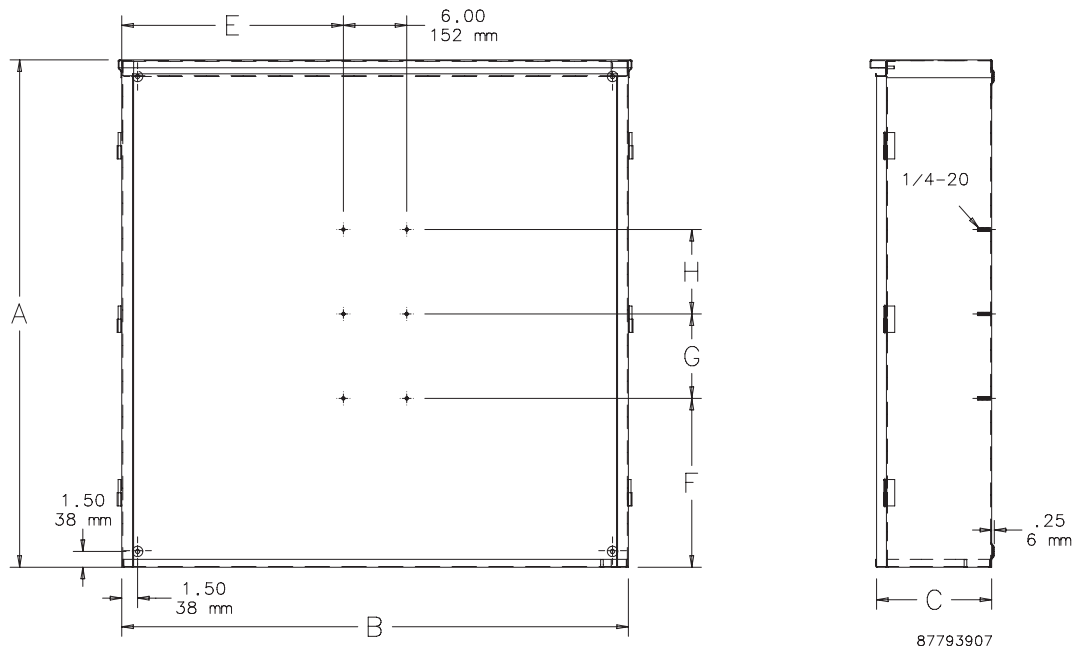
A484814HCT is a double-door cabinet.



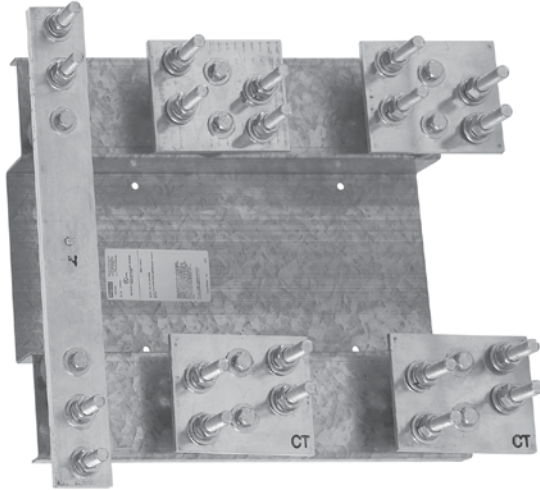
Single-Door Cabinet



Double-Door Cabinet (A484814HCT only)



## CT Mounting Base



CTMB8001

### Application

Available in three variations of conductor connection styles to match your application: 1/2-in. studs on 1-3/4-in. centers, a model with mechanical lugs and a model with lugs on one side and studs on the other to accommodate the preference difference between line and load connections. Pre-punched mounting base holes align with the studs in a CT enclosure.

### Features

- Spacing for bar-type current transformer that conforms to ANSI 12.11
- Conductor provisions: either mechanical lugs or 1/2-in. bolt on 1-3/4-in. centers with nut, spring and flat washer
- Neutral bar with 10-32 tap screw

### Specifications

- 12-gauge galvanized formed base has electrically isolated mount/termination platform

### Finish

Galvanized (mounting plate only)

Bulletin: A90CM

## Industry Standards

UL 414 Listed; File E240312

## Standard Product CT Mounting Base

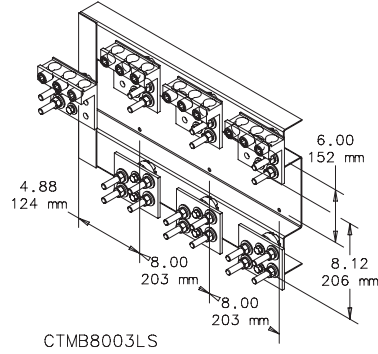
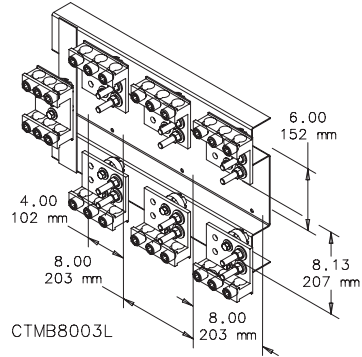
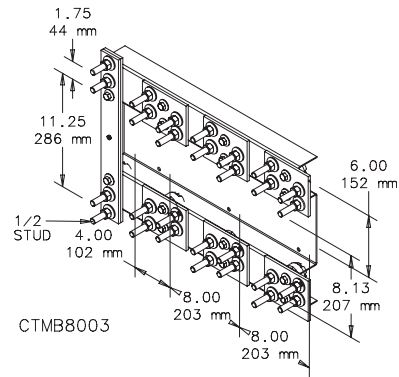
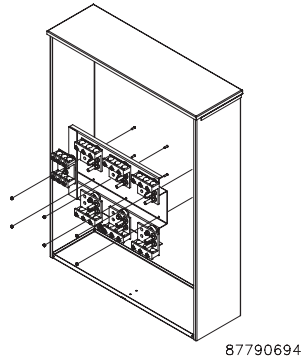
Catalog Number	A.I.C. Rating	Ampacity	Voltage Max. VAC	Service Type	No. of CT Provisions	Connection
CTMB8001	50,000	400-800	600	1Ø3W	2	Studs
CTMB8003	50,000	400-800	600	3Ø4W	3	Studs
CTMB4001L	50,000	400	600	1Ø3W	2	Lugs <sup>a</sup>
CTMB8003L	50,000	800	600	3Ø4W	3	Lugs <sup>a</sup>
CTMB4001LS	50,000	400	600	1Ø3W	2	Lugs and Studs <sup>a</sup>

<sup>a</sup>Wire range per phase: (3) 750MCM to 1/0 or (6) 250MCM to 1/0

## Wire Bend Space

Catalog Number	CTMB8001, CTMB4001LS (in.)	CTMB8001, CTMB4001LS (mm)	CTMB8003 (in.)	CTMB8003 (mm)	CTMB4001L (in.)	CTMB4001L (mm)	CTMB8003L (in.)	CTMB8003L (mm)
A303011CT	6.75	171	6.75	171	7.25	184	7.25	184
A363011CT	9.75	248	9.75	248	10.25	260	10.25	260
A363611CT	9.75	248	9.75	248	10.25	260	10.25	260
A483611CT	15.75	400	15.75	400	16.25	413	10.25	260
A302411HCT	6.75	171	n/a	n/a	7.25	184	n/a	n/a
A482411HCT	15.75	400	n/a	n/a	16.25	413	n/a	n/a
A363011HCT	9.75	248	9.24	235	10.25	260	10.25	260
A483011HCT	15.75	400	15.75	400	16.25	413	16.25	413
A363611HCT	9.75	248	9.75	248	10.25	260	10.25	260
A483611HCT	15.75	400	15.75	400	16.25	413	16.25	413

Consult UL414 for minimum space requirements based on the wire size and the number of wires per terminal.



**Current Transformer Cabinets, 400-800 Amp, Type 3R**



**Industry Standards**

UL 414 Listed; Type 3R; File No. E240312  
 UL 50, 50E Listed; Type 3R; File No. E27525  
 cUL Listed per CSA C22.2 No 94; Type 3R; File No. E27525

NEMA Type 3R  
 IEC 60529, IP32

**Application**

These Current Transformer Cabinets (for Window-Type Current Transformers) provide Type 3R protection and a factory-installed wiring buss for 400-800 Amp, 600 VAC current transformers. The assembly has a 50 k AIC rating.

**Features**

- Overlapping double-door model with 3-point latch and lift-off hinges
- Door stop provision included
- Includes padlock provisions in handle
- Mild steel hinges
- Use with window-type current transformer
- Drip-shield top and seam-free sides, front and back
- Three removable copper buss bars

- Buss bar cross section 3.00 in. x .25 in. (76 mm x 6 mm)
- Neutral bar
- Aluminum mechanical lugs dual rated (Cu/Al), two conductor
- Maximum conductor size 600 kcmil
- Insulating bar mounting bracket 12 gauge painted steel
- Mounting holes on back of enclosure
- No gasketing or knockouts
- Ground stud provided

**Specifications**

14 gauge galvanized steel

**Finish**

ANSI 61 gray polyester powder paint

**Electrical Specifications**

400-800 Amp, 50 k AIC, 600 VAC

**Accessories**

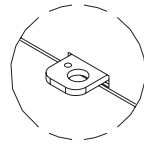
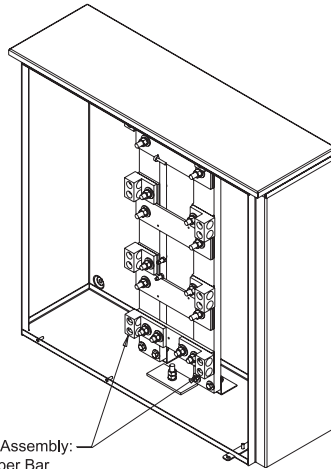
[s-3428]

Bulletin: A90CT

**Standard Product**

Catalog Number	AxBxC in.	AxBxC mm	Style
A800HCT1R	36.00 x 36.00 x 11.00	914 x 914 x 305	Hinged double-door

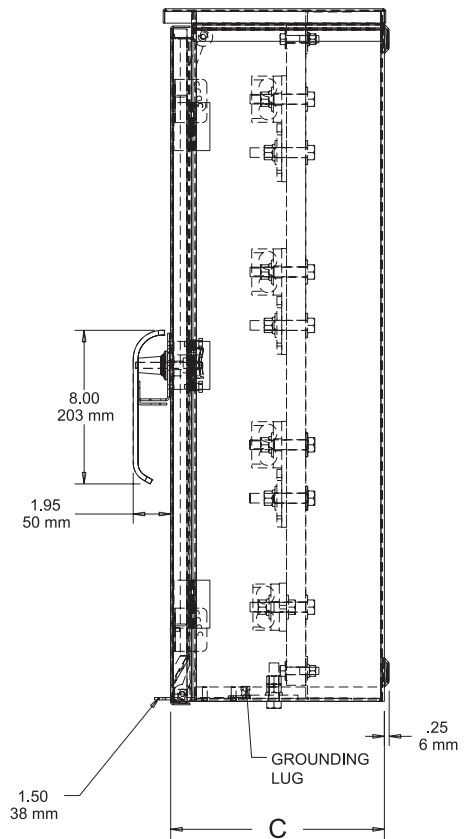
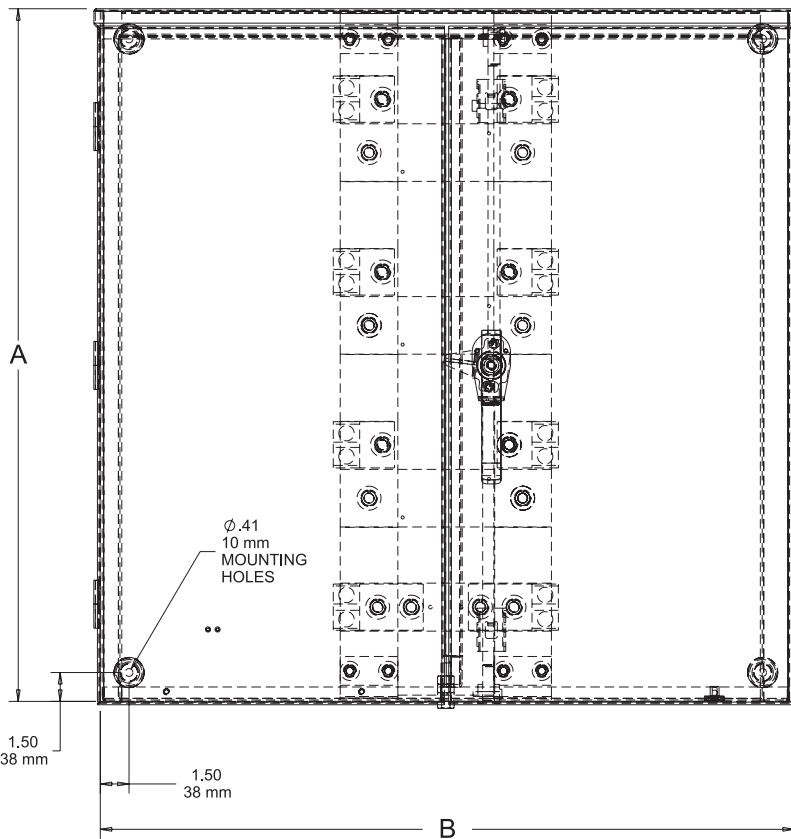
Buss Assembly



Padlocking Staple

- Neutral Assembly:  
 (1) Copper Bar  
 (2) Aluminum Mechanical Lugs,  
 Dual Rated, 2 Conductor (600 KCML)  
 1/2" Hardware

87938979



87938807

**3-Phase 400-1200 Amp with Mechanical Lugs, Type 3R**



**Industry Standards**

UL 414 Listed; Type 3R; File No. E240312  
 UL 50, 50E Listed; Type 3R; File No. E27525  
 cUL Listed per CSA C22.2 No 94; Type 3R; File No. E27525

NEMA Type 3R  
 IEC 60529, IP 32

**Application**

Used in indoor or outdoor applications, these cabinets provide an assembly solution for three-phase service from 400-1200 amp line load terminations for each phase and neutral. Hardware to mount a bar-style current transformer is included.

**Features**

- Double door with 3-point latch includes padlock feature
- Lift-off hinges for removable doors

- Mechanical lugs provided for three-phase line-load connections plus neutral
- Ground lug
- Catalog no. A1200NECT includes panel-mounting provisions for voltage transformer (VT)
- Embossed mounting holes
- No gasketing or knockouts

**Specifications**

- Enclosure body and cover constructed of galvanized steel

**Finish**

ANSI 61 gray polyester powder paint finish inside and out.

**Accessories**

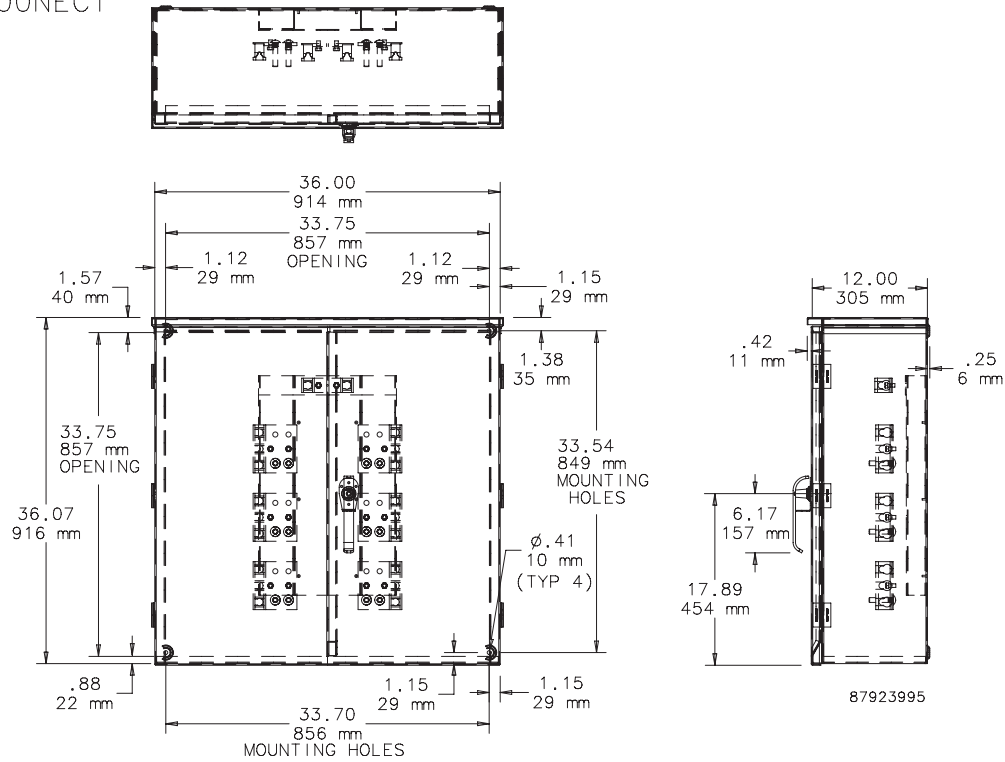
[s-3428]

Bulletin: ARCT

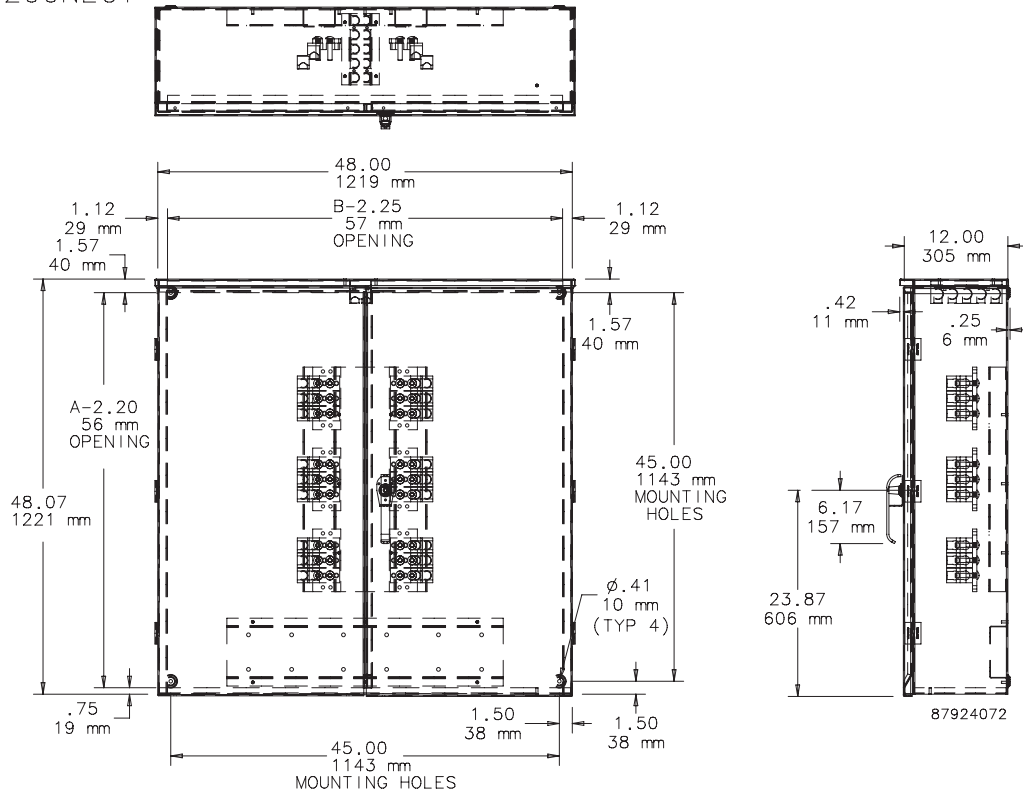
Standard Product

Catalog Number	AxBxC in./mm	Service	Mechanical Lug Capacity
<b>A800NECT</b>	36.00 x 36.00 x 12.00 914 x 914 x 305	208Y/120-400 and 800 Amp	Each Phase (3) 750MCM-1/0
<b>A1200NECT</b>	48.00 x 48.00 x 12.00 1219 x 1219 x 305	208Y/120-480Y/277-800 and 1200 Amp	Each Phase (6) 750MCM-1/0

A800NECT



A1200NECT



**Current Transformer, Type 3R, Overview**



**Application**

These cabinets are available in a variety of sizes, models and instrument current transformer mounting methods to fit a wide range of applications.

**Features**

- Drip-shield top and seam-free sides, front and back
- Welded-in collar studs supply provisions for mounting panel
- Provision for padlocking
- Ground lug on body
- Mounting holes on back of enclosure
- No gasketing or knockouts

**Specifications**

- 14 gauge galvanized steel enclosure body and cover
- Enclosure bottom of 16 gauge galvanized steel

**Finish**

ANSI 61 gray polyester power paint inside and out over pretreated surfaces.

**Industry Standards**

UL 50, 50E Listed; Type 3R; File No. E27525, E27567  
 cUL Listed per CSA C22.2 No 94; File No. E27525, E27567

NEMA Type 3R  
 IEC 60529, IP32

*Models with termination lugs also have UL414, File No. E240312*

**Screw Cover with Steel Foot Mount Panel**



**Features**

- Cover with handles and captivated screws
- 12 gauge plated mounting panel
- Panel studs allow for either vertical or horizontal panel mounting

Bulletin: A90CT

Catalog Number	AxBxC in./mm	CT Panel D x E in./mm
A303012CTCJ	30.07 x 30.00 x 12.00 764 x 762 x 305	29.00 x 7.25 737 x 184
A363614CTCJ	36.07 x 36.00 x 14.00 916 x 914 x 356	35.00 x 7.25 889 x 184
A424214CTCJ	42.07 x 42.00 x 14.00 1069 x 1067 x 356	41.00 x 7.25 1041 x 184
A484814CTCJ	46.81 x 48.00 x 14.00 1189 x 1219 x 356	45.73 x 7.25 1162 x 184

**Lift-Off Cover with Wood Panel**



**Features**

- Includes 3/4-in. plywood panel
- Screw cover with two padlock or sealing locations

Bulletin: A90CT

Catalog Number	AxBxC in./mm	CT Panel D x E in./mm
A243212CTDP	24.32 x 32.50 x 13.00 618 x 826 x 330	21.00 x 21.00 533 x 533



**Hinged Screw Cover with Steel Panel**



**Features**

- Includes steel panel
- Center sealing locations

Bulletin: A90CT

Catalog Number	AxBxC in./mm	CT Panel D x E in./mm
A243210CTC	24.00 x 32.00 x 10.00 610 x 813 x 254	21.00 x 29.25 533 x 743
A304410CTC	30.00 x 44.00 x 10.00 762 x 1118 x 254	27.00 x 41.25 686 x 1048

**Hinged Double-Door with Three-Point Latch and Wood Panel**



**Features**

- Includes 3/4-in. plywood panel
- Three-point latch with seal or padlock

Bulletin: A90CT

Catalog Number	AxBxC in./mm	CT Panel D x E in./mm
A404014CTDP	40.07 x 40.00 x 14.00 1018 x 1016 x 356	33.00 x 27.00 838 x 686

**400- and 800-Amp Bar-Type Mount with Line/Load Lugs**



**Features**

- Lift-off hinges
- Doorstop
- Line and load lugs
- Staple for seal or padlock
- Quarter-turn latch

Bulletin: A90CT

Catalog Number	AxBxC in./mm	Phase	Wire Range per Phase
A400HCTB	48.07 x 30.00 x 11.00 1221 x 762 x 279	3Ø	(1) 1/0-750MCM or (2) 1/0-250MCM
A800HCTB	48.07 x 30.00 x 11.00 1221 x 762 x 279	3Ø	(3) 1/0-750MCM or (6) 1/0-250MCM

**Vented Double Door**



**Features**

- Double door with 3-point latch that includes padlock feature
- Lift-off hinges for removable doors
- Ventilating louvers with insect barrier
- Welded 1.625 x 1.625 in. mounting channel

Bulletin: A90CT

Catalog Number	AxBxC in./mm	Construction
A203012BGECT	20.00 x 30.00 x 12.00 508 x 762 x 305	Galvanized; spot-welded
A364214BGECT	36.00 x 42.00 x 14.00 914 x 1067 x 356	Aluminum; riveted
A423614BGECT	42.00 x 36.00 x 14.00 1067 x 914 x 356	Aluminum; riveted

## Terminal Box, Type 3R



### Industry Standards

UL 1773 Listed; Type 3R; File No. E256098  
 UL 50, 50E Listed; Type 3R; File No. E27525  
 cUL Listed per CSA C22.2 No 94; Type 3R; File No. E27525

NEMA/EEMAC Type 3R  
 IEC 60529, IP32

### Application

These Terminal Boxes are wire-splice boxes for outdoor commercial and industrial applications that have a feeder tap to branch circuits. Boxes are available in three- or four-wire configurations in sizes up to 400 A.

### Features

- Drip-shield top and seam-free sides, front and back
- Removable cover
- Distribution lugs installed (see table for sizes)

- Hub opening at top with cover
- Provisions for padlocking or seal
- Knockouts on bottom of enclosure
- Grounding provisions

### Specifications

- 16 gauge galvanized steel

### Finish

ANSI 61 gray polyester powder paint finish inside and out over galvanized steel.

### Accessories

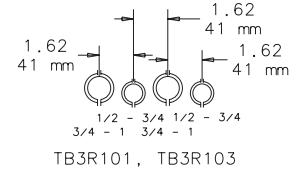
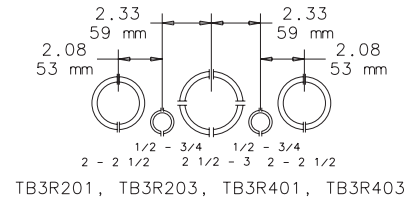
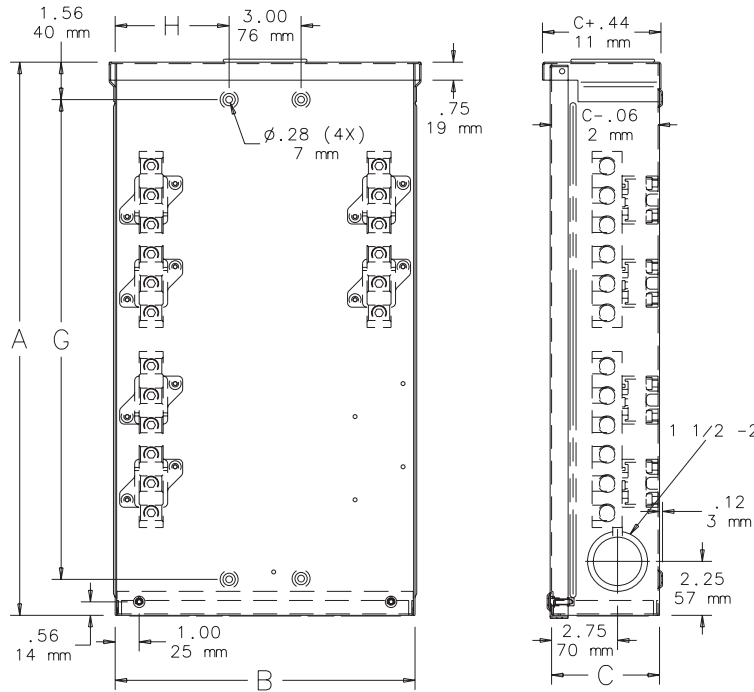
- [s-3428]
- [s-55664]
- [s-55669]

Bulletin: S90B3

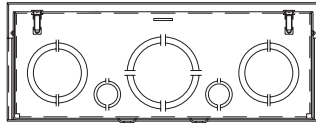
### Standard Product

Catalog Number	AxBxC in./mm	Volts	Phase	Amps	Number of Bars	Wire Range	G in./mm	H in./mm
TB3R101	18.00 x 10.75 x 4.50	120/240	1Ø	100	3	(6) #14-2/0	15.00	3.88
	457 x 273 x 114						381	99
TB3R103	18.00 x 10.75 x 4.50	600	3Ø	100	4	(6) #14-2/0	15.00	3.88
	457 x 273 x 114						381	99
TB3R103240	18.00 x 8.00 x 114.00	120/240	3Ø	100	4	(6) #14-2/0	15.00	3.88
	457 x 203 x 5						381	99
TB3R201	23.00 x 14.00 x 4.50	120/240	1Ø	200	3	(6) #6-350MCM	20.00	5.50
	584 x 356 x 114						508	140
TB3R203	23.00 x 14.00 x 4.50	600	3Ø	200	4	(6) #6-350MCM	20.00	5.50
	584 x 356 x 114						508	140
TB3R203240	23.00 x 12.00 x 114.00	120/240	3Ø	200	4	(6) #6-350MCM	20.00	5.50
	584 x 305 x 5						508	140
TB3R401	27.00 x 20.50 x 6.00	120/240	1Ø	400	3	(6) #4-600MCM	24.00	8.75
	686 x 521 x 152						610	222
TB3R403	27.00 x 20.50 x 6.00	600	3Ø	400	4	(6) #4-600MCM	24.00	8.75
	686 x 521 x 152						610	222

TB3R401 is UL and cUL for copper conductor only



CONDUIT SIZES  
 Knockout Pattern  
 (from outside of box)



87790363

### Interchangeable Bolt-on Hub



Bulletin: S90B3

Catalog Number	Fits Conduit Size (in.)	Fits Conduit Size (mm)
TBHUB10	1.00	25
TBHUB12	1.25	32
TBHUB15	1.50	38
TBHUB20	2.00	51
TBHUB25	2.50	64

### Lug Assembly



Bulletin: S90B3

Catalog Number	Wire Range
TBL100	(6) #14-2/0
TBL200	(6) #6-350 MCM
TBL400	(6) #4-600 MCM

## Sectionalizing

### Utility Junction (UJ) Cabinets



#### Industry Standards

ANSI C57.12.28 Pad-Mounted Equipment Enclosure Integrity  
RUS Approved

#### Application

Enclosures provide sectionalizing and tap-point functionality for underground distribution systems. Available in a wide variety of single- and three-phase models, these enclosures are rated 15 and 25 KV at 200 or 600 amperes and will accept two-, three- and four-way junctions from all manufacturers.

#### Features

- Recessed stainless steel penta-head bolt with padlock security system standard on all models
- 5/8-11 threaded lifting provisions
- Wind stop standard on all models (two stops provided if B dimension is greater than or equal to 42-in.)

- Ground nut for each phase
- Full range of modifications available on request

#### Specifications

- Welded 12 gauge steel or .125 aluminum construction (stainless steel available as a modification)
- When ordering UJ cabinets, customer may specify multiple mounting panel options, including mild steel, galvanized and stainless steel (panels must be purchased separately)

#### Finish

- Munsell Green 7GY3.29/1.5 polyester powder paint finish inside and out over pretreated surfaces
- Mounting panels have white polyester powder paint over pretreated surfaces

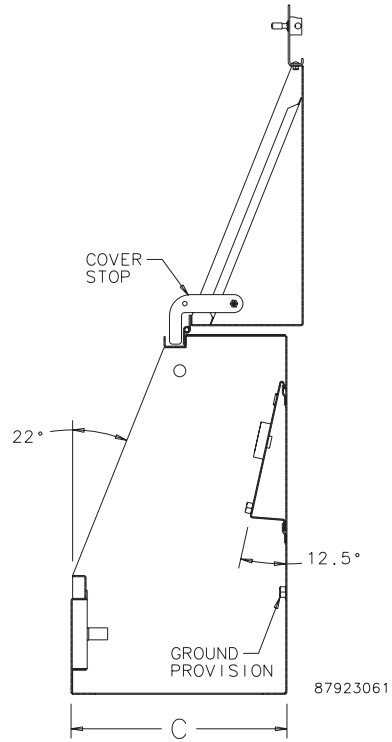
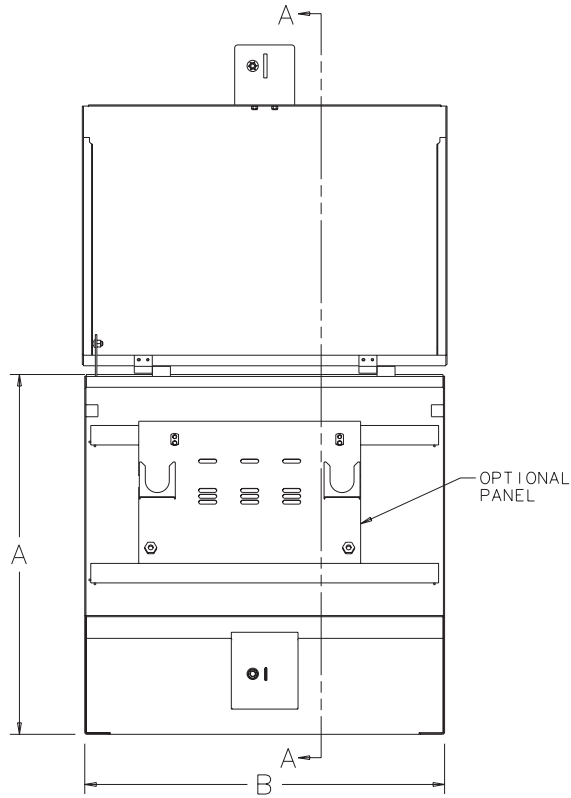
**Bulletin:** UJ

#### Standard Product Enclosures

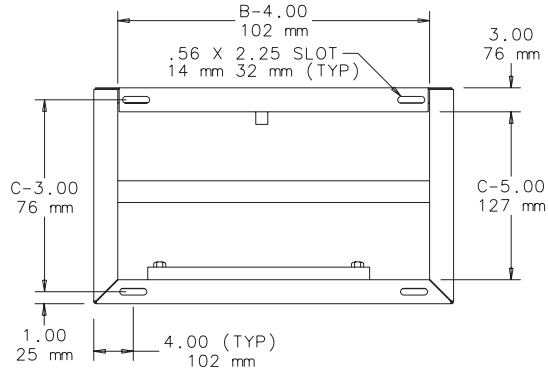
Catalog Number	AxBxC in.	AxBxC mm	Material	Recommended Panel Qty.	Recommended Panel Style
UJ303018M2	30.00 x 30.00 x 18.00	762 x 762 x 457	Steel	1	B or D
UJ303019M2	30.00 x 30.00 x 19.00	762 x 762 x 483	Steel	1	B or D
UJ303023M2	30.00 x 30.00 x 23.00	762 x 762 x 584	Steel	1	B or D
UJ303024M2	30.00 x 30.00 x 24.00	762 x 762 x 610	Steel	1	B or D
UJ304824M2	30.00 x 48.00 x 24.00	762 x 1219 x 610	Steel	2	B or D
UJ306018M2	30.00 x 30.00 x 18.00	762 x 762 x 457	Steel	3	A or C
UJ306424M2	30.00 x 64.00 x 24.00	762 x 1626 x 610	Steel	1, 2	A or C, B or D
UJ306623M2	30.00 x 66.00 x 23.00	762 x 1676 x 584	Steel	1, 2	A or C, B or D
UJ306724M2	30.00 x 67.00 x 24.00	762 x 1702 x 610	Steel	3	B or D
UJ307424M2	30.00 x 74.00 x 24.00	762 x 1880 x 610	Steel	3	B or D
UJ307622M2	30.00 x 76.00 x 22.00	762 x 1930 x 559	Steel	3	B or D
UJ482618M2	48.00 x 26.00 x 18.00	1219 x 660 x 457	Steel	1	B or D
UJ303018A	30.00 x 30.00 x 18.00	762 x 762 x 457	Aluminum	1	B or D
UJ306018A	30.00 x 60.00 x 18.00	762 x 1524 x 457	Aluminum	3	A or C
UJ306723A	30.00 x 67.00 x 23.00	762 x 1702 x 584	Aluminum	3	B or D

# Sectionalizing

## Single-Phase Enclosure

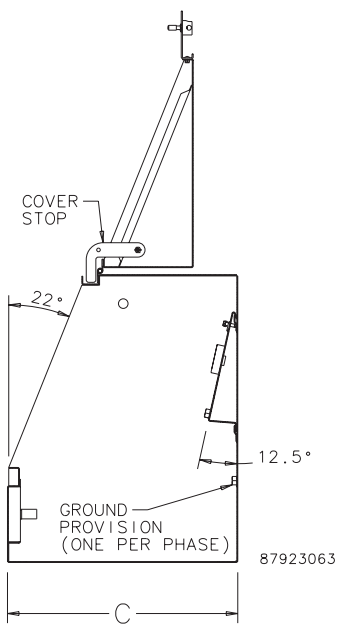
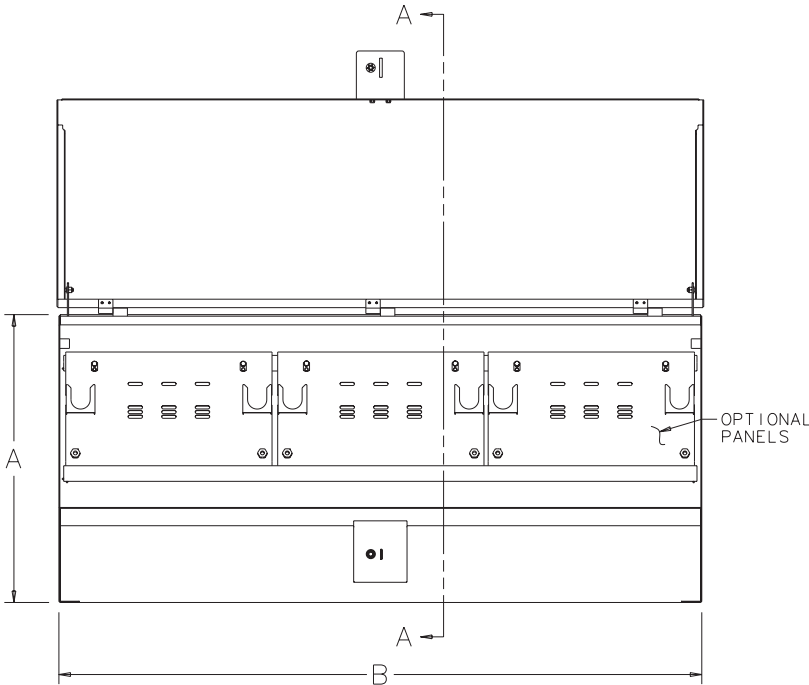


SECTION A-A

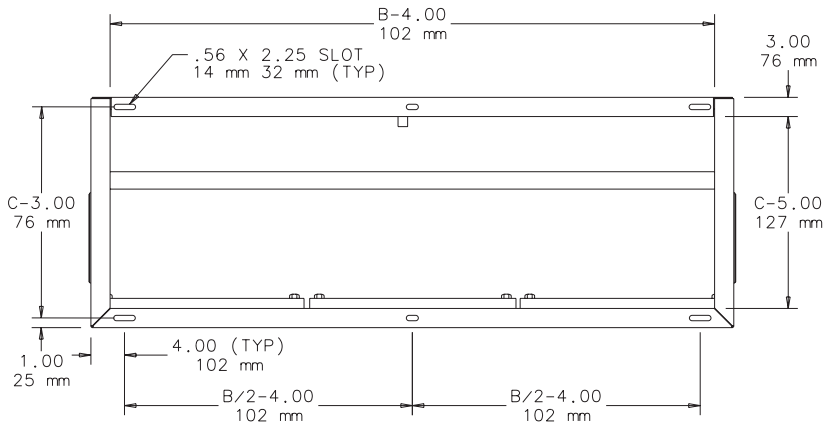


Sectionalizing

Three-Phase Enclosure



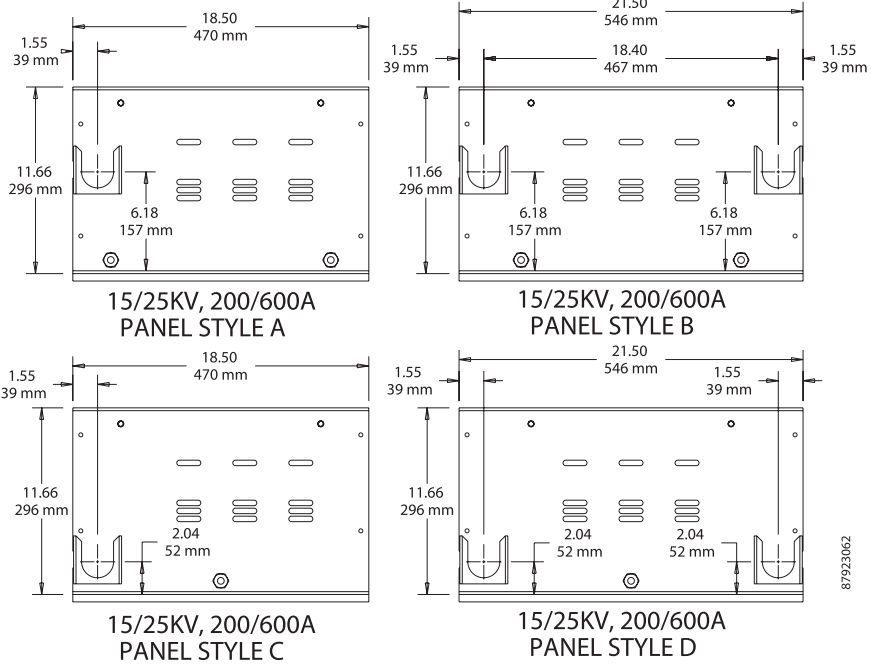
SECTION A-A



## Sectionalizing

### Standard Panels

Catalog Number	AxBxC in.	AxBxC mm	Panel Material	Style	No. of Parking Stands
UJP1M	11.66 x 18.50	296 x 470	Mild Steel	A	1
UJP2M	11.66 x 21.50	296 x 546	Mild Steel	B	2
UJP1MOFF	11.66 x 18.50	296 x 470	Mild Steel	C	1
UJP2MOFF	11.66 x 21.50	296 x 546	Mild Steel	D	2
UJP1G	11.66 x 18.50	296 x 470	Galvanneal	A	1
UJP2G	11.66 x 21.50	296 x 546	Galvanneal	B	2
UJP1GOFF	11.66 x 18.50	296 x 470	Galvanneal	C	1
UJP2GOFF	11.66 x 21.50	296 x 546	Galvanneal	D	2
UJP1SS	11.66 x 18.50	296 x 470	Stainless Steel	A	1
UJP2SS	11.66 x 21.50	296 x 546	Stainless Steel	B	2
UJP1SSOFF	11.66 x 18.50	296 x 470	Stainless Steel	C	1
UJP2SSOFF	11.66 x 21.50	296 x 546	Stainless Steel	D	2



## Canadian Cabinets

### Metering, Type 1



#### Industry Standards

CSA File Number 42184: Type 1  
NEMA/EEMAC Type 1  
IEC 60529, IP30

#### Application

This enclosure houses metering transformers and instrument assemblies in indoor applications. HQ models meet Hydro-Québec requirements. It includes one pre-punched accessory, one potential transformer and one current transformer panel, and a four-lug splitter block.

#### Features

- Gland plates on top of two-door enclosure for meter connection
- Hinged door with pull latch and provision for padlocking
- Single panel included with standard models
- Mounting holes in back

#### Specifications

- 14 or 16 gauge steel

#### Finish

ANSI 61 gray polyester powder paint finish inside and out

#### Accessories

[s-3428]

Bulletin: M1

#### Standard Product Metering Cabinets

Catalog Number	AxBxC in.	AxBxC mm	Panel Dimensions D x E (in.)	Panel Dimension D x E (mm)	Door
AMC271310R	27.00 x 13.00 x 10.00	686 x 330 x 254	22.75 x 8.75	578 x 222	Single
AMC302010R	30.00 x 20.00 x 10.00	762 x 508 x 254	25.75 x 15.75	654 x 400	Single
AMC303010R	30.00 x 30.00 x 10.00	762 x 762 x 254	25.75 x 25.75	654 x 654	Double
AMC363612R	36.00 x 36.00 x 12.00	915 x 915 x 305	31.75 x 31.75	806 x 806	Double
AMC484812R	48.00 x 48.00 x 12.00	1220 x 1220 x 305	43.75 x 43.75	1111 x 1111	Double

#### Standard Product UG-Series Cabinets

Catalog Number	AxBxC in.	AxBxC mm	Door
AMC202010UG	20.00 x 20.00 x 254.00	508 x 508 x 10	Single
AMC303010UG	30.00 x 30.00 x 254.00	762 x 762 x 10	Double
AMC363612UG	36.00 x 36.00 x 305.00	914 x 914 x 12	Double
AMC484812UG	48.00 x 48.00 x 305.00	1219 x 1219 x 12	Double

Panels included.

#### Standard Product Metering Cabinets Meeting Hydro-Québec Requirements

Catalog Number	AxBxC in.	AxBxC mm	Door
AMC303010HQ	30.00 x 30.00 x 10.00	762 x 762 x 254	Double
AMC363612HQ	36.00 x 36.00 x 12.00	914 x 914 x 305	Double
AMC484812HQ	48.00 x 48.00 x 12.00	1219 x 1219 x 305	Double

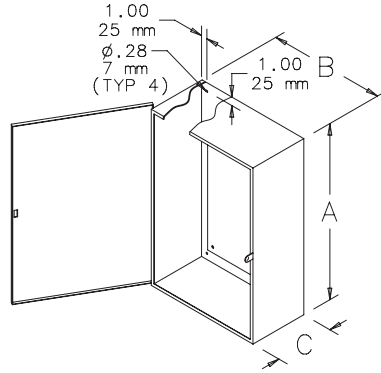
#### Panels Included with Hydro-Québec Cutouts

Catalog Number	AxBxC in.	AxBxC mm	Panel with Cutouts for	D (in.)	D (mm)	E (in.)	E (mm)
A32N34HQ	0.00		Current Transformer	12.76	324	13.39	340
A62N17HQ	0.00		Accessory	24.69	627	7.01	178
A65N38HQ	0.00		Main and Potential Transformer	25.59	650	15.00	381

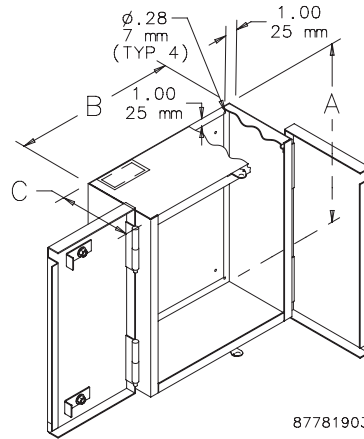


### Canadian Cabinets

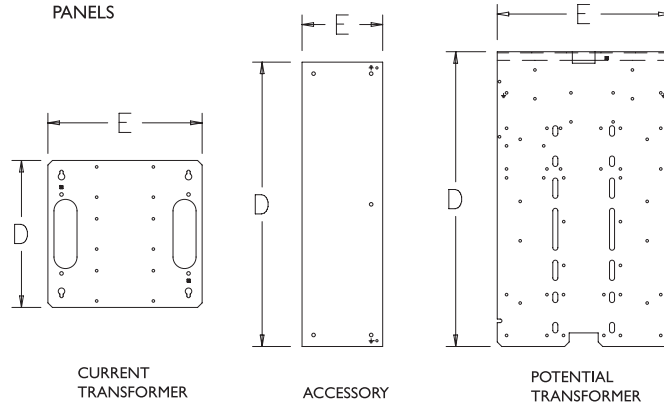
#### Single-Door Enclosures



#### Two-Door Enclosures



#### PANELS



87781904

## Canadian Splitters

### Splitter Trough, Type 1



#### Industry Standards

CSA C22.2 No. 76, File No. 42184: Type 1  
 NEMA/EEMAC Type 1  
 IEC 60529, IP30

#### Application

With pre-installed terminal blocks for three- and four-wire power distribution systems, this trough splits feeder circuit conductors into multiple branch circuit conductors.

#### Features

- Various size knockouts on each side
- Hinged covers
- Mounting holes in back
- Includes single-point ground lug
- Ground Splitter (ground bar) accessory available

#### Specifications

- 16 or 14 gauge steel

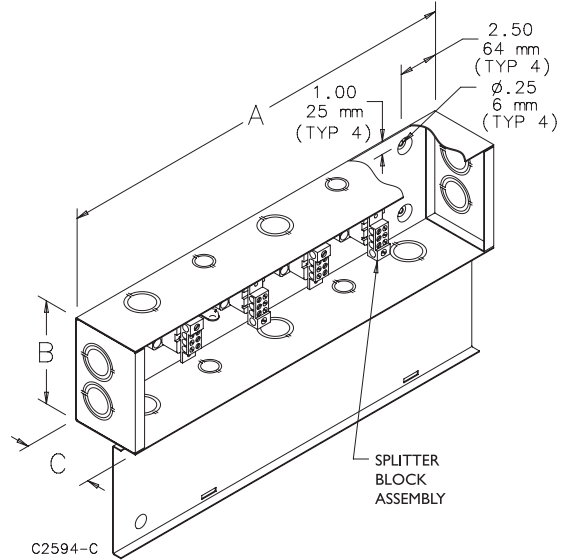
#### Finish

ANSI 61 gray polyester powder paint finish inside and out

#### Accessories

- [s-3185]
- [s-3428]

Bulletin: S90T



#### Knockout Size and Spacing

Amps Rating	Qty.	End Knockout Size	Spacing (in.)	Spacing (mm)	Side Knockout Size and Position	Spacing (in.)	Spacing (mm)
85	2	1-3/4 - 2	2.75	70	Alternating 1/2 - 3/4 and 1 - 1-3/4	4.50	114
125	2	1-3/4 - 2	2.75	70	Alternating 1/2 - 3/4 and 1 - 1-3/4	4.50	114
225	2	2-1/2 - 3	4.06	103	Alternating 1/2 - 3/4 and 1 - 1-3/4	4.50	114
400	2	3 - 3-1/2	4.91	125	Alternating 1/2 - 3/4 and 1 - 1-3/4	4.50	114
600	2	3 - 3-1/2	4.91	125	Alternating 1/2 - 3/4 and 1 - 1-3/4	4.50	114

## Canadian Splitters

### Standard Product **Type 1 Splitter Trough**

Catalog Number	in.	mm	Number of Wires	Main Lugs Amps CU	Main Lugs Wire Size Range	Main Lugs Qty.	Branch Lugs Amps CU	Branch Lugs Wire Size Range	Branch Lugs Qty.
AST283R	24.00 x 6.00 x 4.50	610 x 152 x 114	3	85	14-1	1	55	14-6	6
AST284R	24.00 x 6.00 x 4.50	610 x 152 x 114	4	85	14-1	1	55	14-6	6
AST383R	36.00 x 6.00 x 4.50	914 x 152 x 114	3	85	14-1	1	55	14-6	6
AST384R	36.00 x 6.00 x 4.50	914 x 152 x 114	4	85	14-1	1	55	14-6	6
AST483R	48.00 x 6.00 x 4.50	1219 x 152 x 114	3	85	14-1	1	55	14-6	6
AST484R	48.00 x 6.00 x 4.50	1219 x 152 x 114	4	85	14-1	1	55	14-6	6
AST2123R	24.00 x 6.00 x 4.50	610 x 152 x 114	3	125	14-1/0	1	110	14-2	6
AST2124R	24.00 x 6.00 x 4.50	610 x 152 x 114	4	125	14-1/0	1	110	14-2	6
AST3123R	36.00 x 6.00 x 4.50	914 x 152 x 114	3	125	14-1/0	1	110	14-2	6
AST3124R	36.00 x 6.00 x 4.50	914 x 152 x 114	4	125	14-1/0	1	110	14-2	6
AST4123R	48.00 x 6.00 x 4.50	1219 x 152 x 114	3	125	14-1/0	1	110	14-2	6
AST4124R	48.00 x 6.00 x 4.50	1219 x 152 x 114	4	125	14-1/0	1	110	14-2	6
AST3223R	36.00 x 8.25 x 4.50	914 x 210 x 114	3	225	6-300MCM	1	150	14-2/0	6
AST3224R	36.00 x 8.25 x 4.50	914 x 210 x 114	4	225	6-300MCM	1	150	14-2/0	6
AST4223R	48.00 x 8.25 x 4.50	1219 x 210 x 114	3	225	6-300MCM	1	150	14-2/0	6
AST4224R	48.00 x 8.25 x 4.50	1219 x 210 x 114	4	225	6-300MCM	1	150	14-2/0	6
AST5223R	60.00 x 8.25 x 4.50	1524 x 210 x 114	3	225	6-300MCM	1	150	14-2/0	6
AST5224R	60.00 x 8.25 x 4.50	1524 x 210 x 114	4	225	6-300MCM	1	150	14-2/0	6
AST6223R	72.00 x 8.25 x 4.50	1829 x 210 x 114	3	225	6-300MCM	1	150	14-2/0	6
AST6224R	72.00 x 8.25 x 4.50	1829 x 210 x 114	4	225	6-300MCM	1	150	14-2/0	6
AST3403R	36.00 x 10.00 x 6.00	914 x 254 x 152	3	400	1/0-250MCM: 4-600MCM	2:1	175	6-4/0 AND 14-3/0 <sup>a</sup>	4 and 2 <sup>a</sup>
AST4403R	48.00 x 10.00 x 6.00	1219 x 254 x 152	3	400	1/0-250MCM: 4-600MCM	2:1	175	6-4/0 AND 14-3/0 <sup>a</sup>	4 and 2 <sup>a</sup>
AST4404R	48.00 x 10.00 x 6.00	1219 x 254 x 152	4	400	1/0-250MCM: 4-600MCM	2:1	175	6-4/0 AND 14-3/0 <sup>a</sup>	4 and 2 <sup>a</sup>
AST5403R	60.00 x 10.00 x 6.00	1524 x 254 x 152	3	400	1/0-250MCM: 4-600MCM	2:1	175	6-4/0 AND 14-3/0 <sup>a</sup>	4 and 2 <sup>a</sup>
AST5404R	60.00 x 10.00 x 6.00	1524 x 254 x 152	4	400	1/0-250MCM: 4-600MCM	2:1	175	6-4/0 AND 14-3/0 <sup>a</sup>	4 and 2 <sup>a</sup>
AST6403R	72.00 x 10.00 x 6.00	1829 x 254 x 152	3	400	1/0-250MCM: 4-600MCM	2:1	175	6-4/0 AND 14-3/0 <sup>a</sup>	4 and 2 <sup>a</sup>
AST6404R	72.00 x 10.00 x 6.00	1829 x 254 x 152	4	400	1/0-250MCM: 4-600MCM	2:1	175	6-4/0 AND 14-3/0 <sup>a</sup>	4 and 2 <sup>a</sup>
AST4603R	48.00 x 11.00 x 6.50	1219 x 279 x 165	3	600	1/0-250MCM: 4-600MCM	4:2	175	6-4/0 AND 14-3/0 <sup>a</sup>	4 and 2 <sup>a</sup>
AST4604R	48.00 x 11.00 x 6.50	1219 x 279 x 165	4	600	1/0-250MCM: 4-600MCM	4:2	175	6-4/0 AND 14-3/0 <sup>a</sup>	4 and 2 <sup>a</sup>
AST5603R	60.00 x 11.00 x 6.50	1524 x 279 x 165	3	600	1/0-250MCM: 4-600MCM	4:2	175	6-4/0 AND 14-3/0 <sup>a</sup>	4 and 2 <sup>a</sup>
AST5604R	60.00 x 11.00 x 6.50	1524 x 279 x 165	4	600	1/0-250MCM: 4-600MCM	4:2	175	6-4/0 AND 14-3/0 <sup>a</sup>	4 and 2 <sup>a</sup>
AST6603R	72.00 x 11.00 x 6.50	1829 x 279 x 165	3	600	1/0-250MCM: 4-600MCM	4:2	175	6-4/0 AND 14-3/0 <sup>a</sup>	4 and 2 <sup>a</sup>
AST6604R	72.00 x 11.00 x 6.50	1829 x 279 x 165	4	600	1/0-250MCM: 4-600MCM	4:2	175	6-4/0 AND 14-3/0 <sup>a</sup>	4 and 2 <sup>a</sup>

<sup>a</sup>Six total branch lugs: (4) 6-4/0 and (2) 14-3/0

## Canadian Splitters

### Splitter Box, Type 1



#### Industry Standards

CSA C22.2 No. 76, File No. 42184: Type 1  
 NEMA/EEMAC Type 1  
 IEC 60529, IP30

#### Application

This box splits feeder circuit conductors into multiple branch circuit conductors and comes with pre-installed terminal blocks for three- and four-wire power distribution systems.

#### Features

- Various numbers and sizes of combination knockouts are provided on all four sides: see Knockout Size and Spacing Table
- Hinged covers
- Mounting holes in back
- Includes single point ground lug
- Ground Splitter (ground bar) accessory available

#### Specifications

- 16 or 14 gauge steel

#### Finish

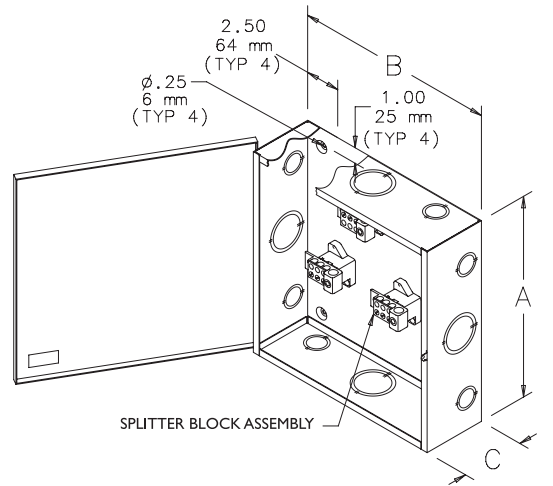
ANSI 61 gray polyester powder paint finish inside and out

#### Accessories

[s-3185]

[s-3428]

Bulletin: S90B



C2595-C

#### Standard Product **Type 1 Splitter Box, 600 volt**

Catalog Number	AxBxC in.	AxBxC mm	Number of Wires	Main Lugs Amps CU	Main Lugs Wire Size Range	Main Lugs Qty.	Branch Lugs Amps CU	Branch Lugs Wire Size Range	Branch Lugs Qty.
ASB83R	12.00 x 12.00 x 4.00	305 x 305 x 102	3	85	14-1	1	55	14-6	3
ASB84R	12.00 x 12.00 x 4.00	305 x 305 x 102	4	85	14-1	1	55	14-6	3
ASB123R	12.00 x 12.00 x 4.00	305 x 305 x 102	3	125	14-2/0	1	110	14-2/0	3
ASB124R	12.00 x 12.00 x 4.00	305 x 305 x 102	4	125	14-2/0	1	110	14-2/0	3
ASB223R	16.00 x 16.00 x 5.00	406 x 406 x 127	3	225	6-300MCM	1	175	14-2/0	3
ASB224R	16.00 x 16.00 x 5.00	406 x 406 x 127	4	225	6-300MCM	1	175	14-2/0	3
ASB403R	22.00 x 22.00 x 6.00	559 x 559 x 152	3	400	4-600MCM	2	285	4-600MCM	2
ASB404R	22.00 x 22.00 x 6.00	559 x 559 x 152	4	400	4-600MCM	2	285	4-600MCM	2

#### Knockout Size and Spacing from Outside Enclosure

Amps Rating	Qty.	Knockout Size	Spacing (in.)	Spacing (mm)
85	21	1-3/4 - 2	2.00	51
		2 - 2-1/2	4.00	102
125	21	1-3/4 - 2	2.00	51
		2 - 2-1/2	4.00	102
225	21	1-3/4 - 2	2.00	51
		2-1/2 - 3	6.00	152
400	21	2 - 2-1/2	2.00	51
		3 - 3-1/2	6.00	152

Knockouts viewed from outside enclosure. Pattern and sizes same on all four sides.

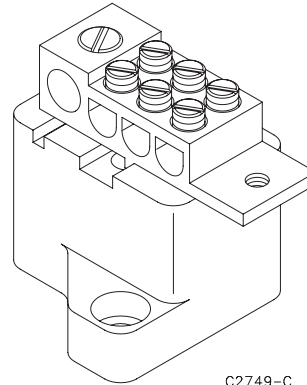
## Canadian Splitters

### Splitter Block Assemblies Overview



#### Application

Splitter Block Assemblies tap feeder branch circuits in splitter boxes and troughs. Each 600-volt block includes a main lug and branch lugs, together with copper/aluminum (CU/AL) connectors secured to insulators.



C2749-C

#### Industry Standards

CSA Certified

### Splitter Box Block Assemblies

Bulletin: S90Y



Catalog Number	Main Amps	Main Lug Qty.	Main Lug Wire Size Range	Branch Amps	Branch Lug Qty.	Branch Lug Wire Size Range
ASBB85	85	1	14-1	40	3	14-6
ASBB125	125	1	14-2/0	85	3	14-2/0
ASBB225	225	1	6-300MCM	125	3	14-2/0
ASBB400R	400	2	4-600MCM	225	2	4-600MCM

## Canadian Splitters

Bulletin: S90Y

### Splitter Trough Block Assemblies

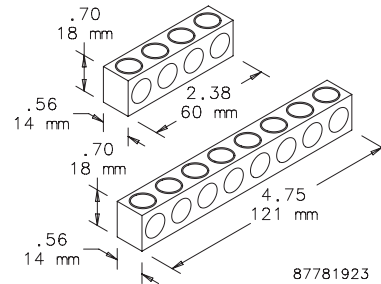


Catalog Number	Main Amps	Main Lug Qty.	Main Lug Wire Size Range	Branch Amps	Branch Lug Qty.	Branch Lug Wire Size Range
ASTB85	85	1	14-1	40	6	14-6
ASTB125	125	1	14-1/0	85	6	14-2
ASTB225	225	1	6-300MCM	125	6	14-2/0
ASTB400	400	1:2	4-600MCM:1/0-250	125	4 + 2 <sup>A</sup>	6-4/0 and 14-3/0 <sup>A</sup>
ASTB600	600	2:4	4-600MCM:1/0-250	125	4 + 2 <sup>A</sup>	6-4/0 and 14-3/0 <sup>A</sup>

<sup>A</sup> Six total branch lugs: (4) 6-4/0 and (2) 14-3/0

### Ground Splitter (Ground Bar)

Bulletin: S90Y



Catalog Number	Depth in./mm	Lug Qty.	Wire Size Range	Application
ASG4	2.38 60	4	14-2/0	Splitter Box or Splitter Trough
ASG8	4.75 121	8	14-2/0	Splitter Trough